

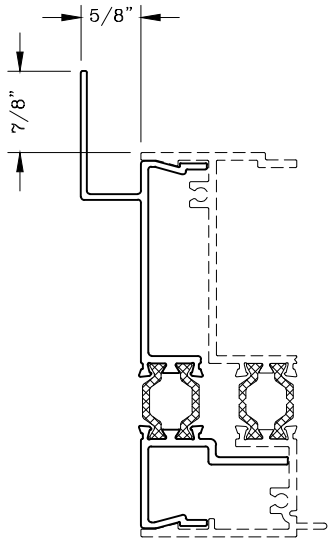
Accessories – GT 4" Products



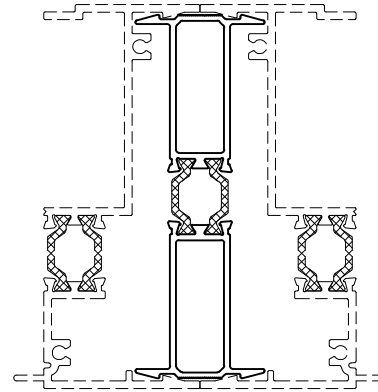
Series: Accessories Manufacturing Code: AC05M

Drawing 1/2 Scale – For Custom Size Drawing Contact Graham

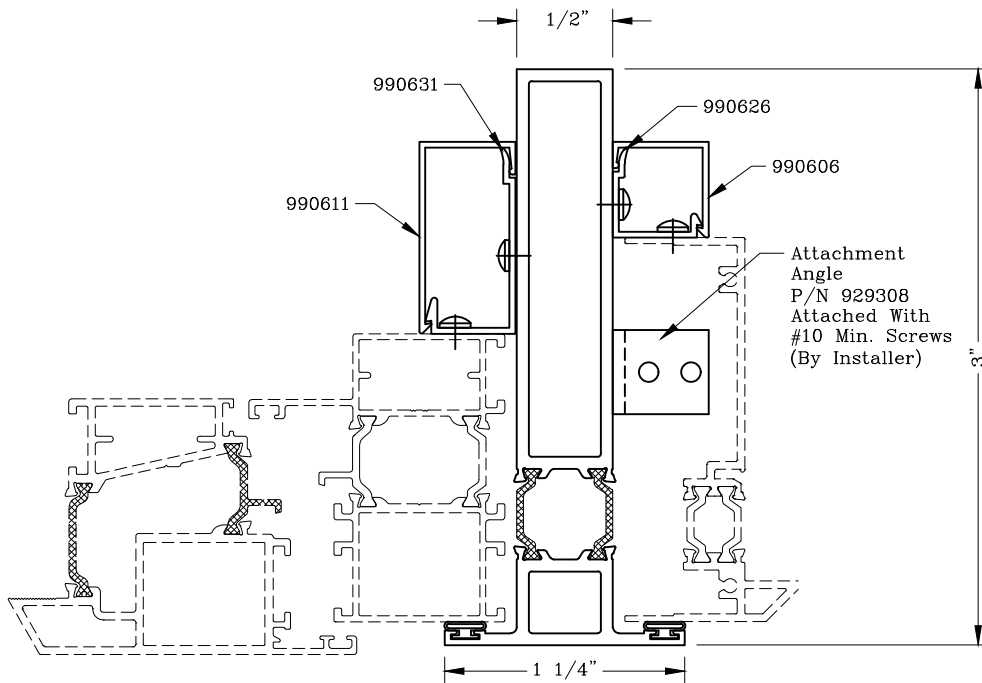
Note: Sealant Not Shown On Details. Refer To General Installation Instructions.



Strap Anchor
220133
(GT2200 Single Hung Only)



Zero Mullion
220134
(GT2200 Single Hung Only)



Transition Mullion
140687

Graham Architectural Products reserves the right to change, add, cancel, remove or otherwise modify the details illustrated without prior notice.

1551 Mt. Rose Avenue, York, Pennsylvania 17403-2909 800/755-6274 Fax: 800/366-5097

Web Site: www.grahamwindows.com

0822 – AC.05M