

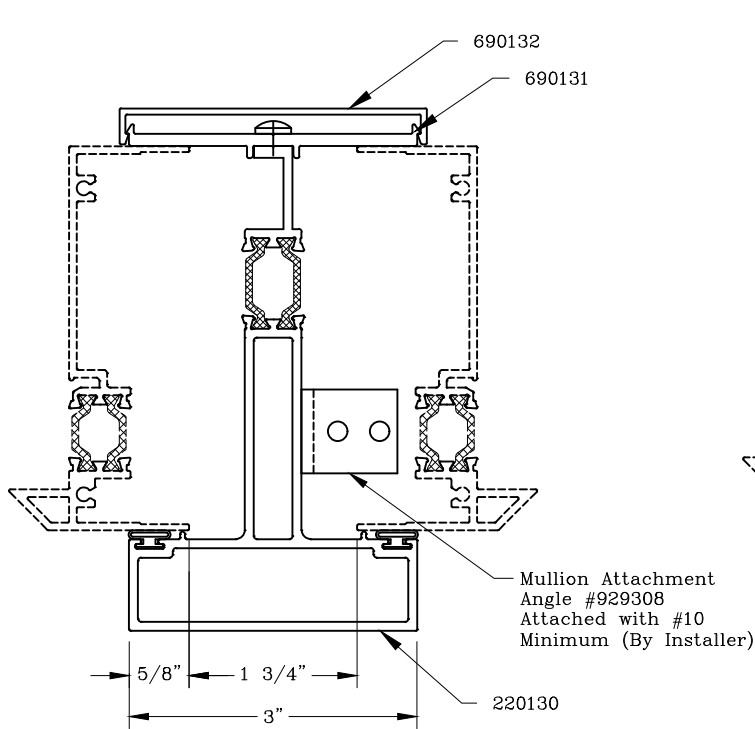
Accessories – 4" Products



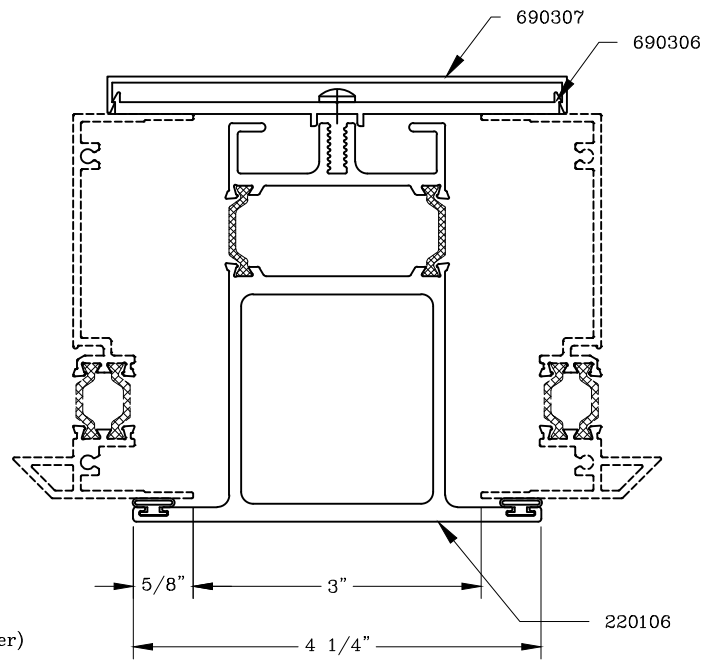
Series: Manufacturing Code: AC050

Drawing 1/2 Scale – For Custom Size Drawing Contact Graham

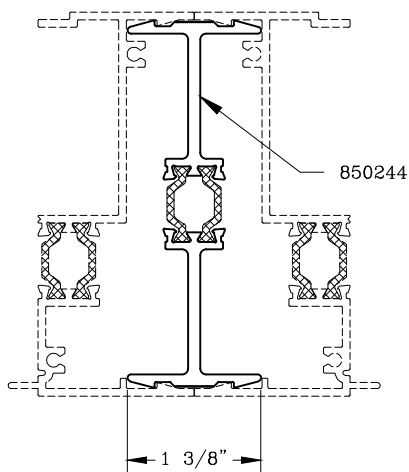
Note: Sealant Not Shown On Details. Refer To General Installation Instructions.



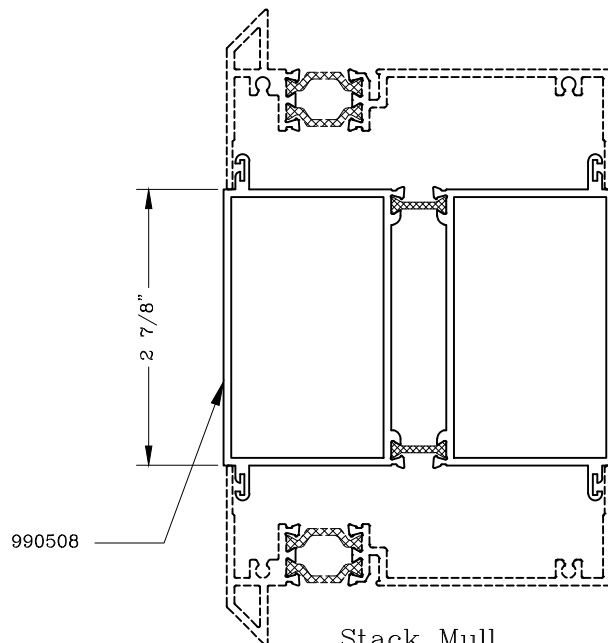
3 Piece Tube Mull
3" Face



3 Piece Mull
4 1/4" Face



Zero Mull



Stack Mull
2 7/8" Face

Graham Architectural Products reserves the right to change, add, cancel, remove or otherwise modify the details illustrated without prior notice.

1551 Mt. Rose Avenue, York, Pennsylvania 17403-2909 800/755-6274 Fax: 800/366-5097

0522 – AC.050

Web Site: www.grahamwindows.com