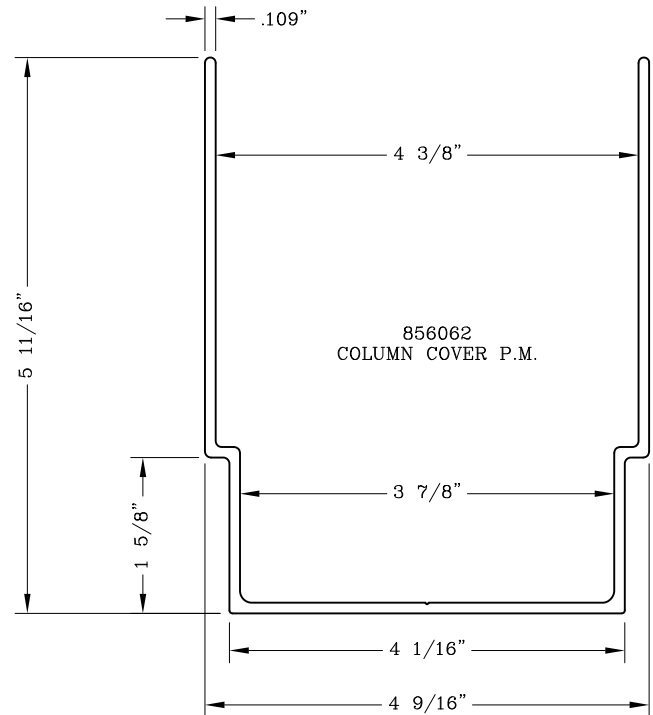
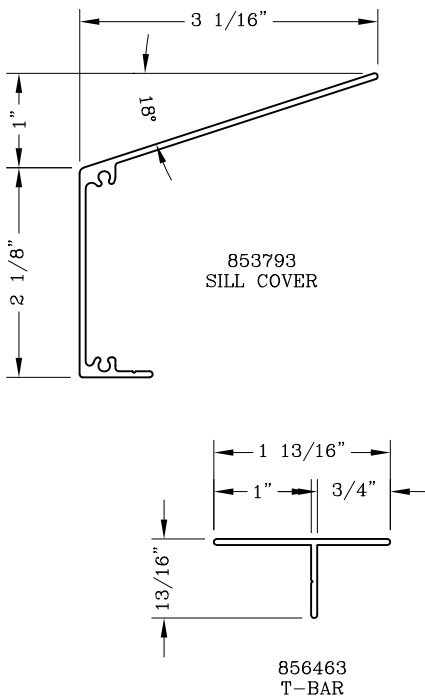


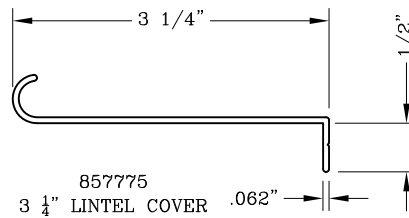
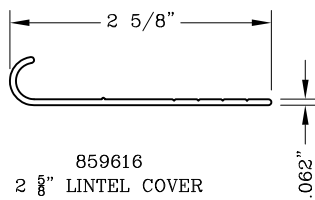
Series: Accessories Manufacturing Code: GT-MS01

Drawing 1/2 Scale - For Custom Size Drawing Contact Graham

Note: Sealant Not Shown On Details. Consult Technical Services At Factory For Sealing Procedures.



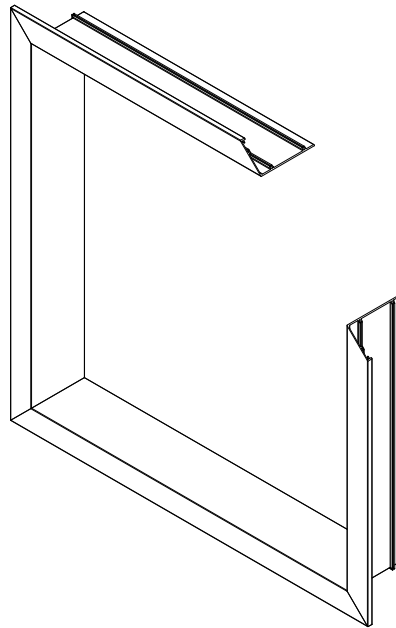
LINTEL COVERS



Series: Accessories Manufacturing Code: GT-MS02

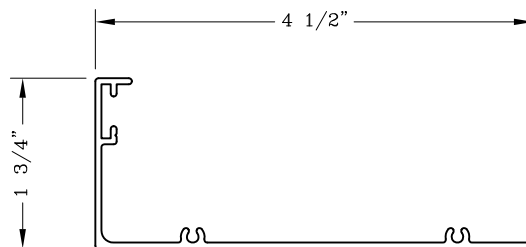
Drawing 1/2 Scale - For Custom Size Drawing Contact Graham

Note: Sealant Not Shown On Details. Consult Technical Services At Factory For Sealing Procedures.



4 1/2" LINER SYSTEM SHOWN

INTERIOR VIEW
DO NOT SCALE



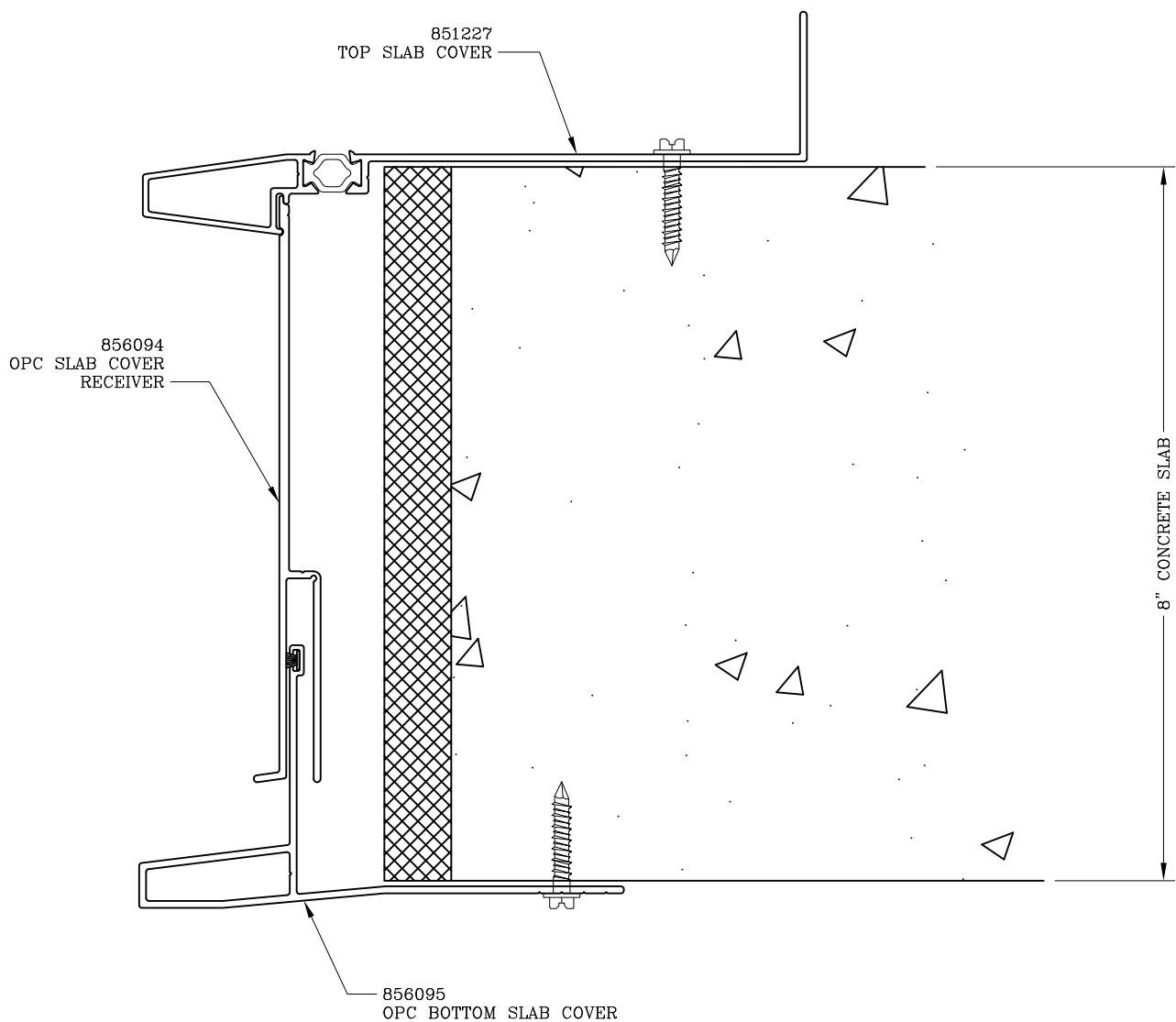
857261
4 1/2" LINER TRIM
SYSTEM

Series: Accessories Manufacturing Code: GT-MS03

Drawing 1/2 Scale - For Custom Size Drawing Contact Graham

Note: Sealant Not Shown On Details. Consult Technical Services At Factory For Sealing Procedures.

SLAB COVERS

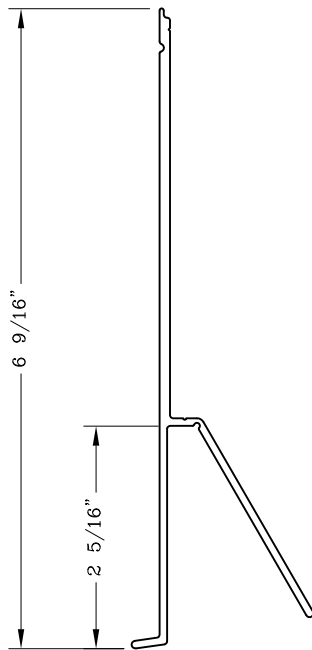
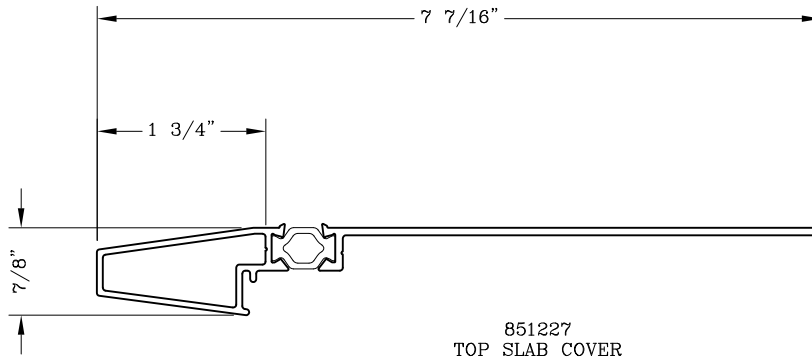


Series: Accessories Manufacturing Code: GT-MS04

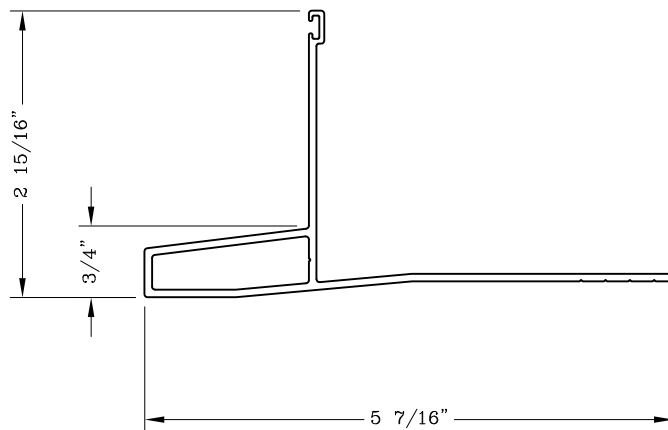
Drawing 1/2 Scale - For Custom Size Drawing Contact Graham

Note: Sealant Not Shown On Details. Consult Technical Services At Factory For Sealing Procedures.

SLAB COVERS



856094
OPC SLAB COVER
RECEIVER



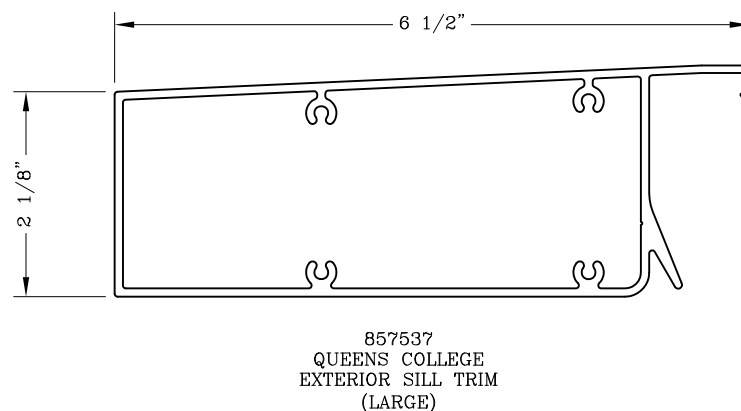
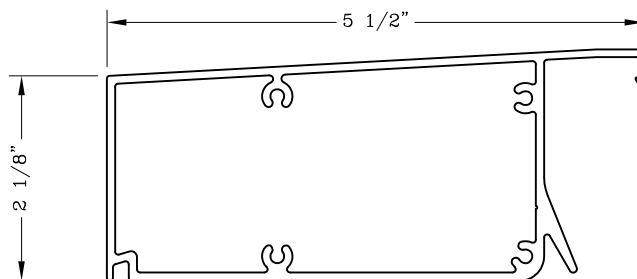
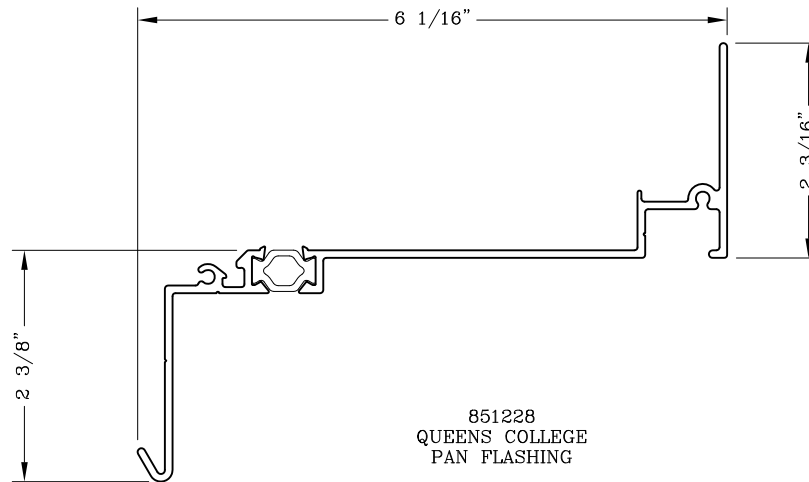
856095
OPC BOTTOM SLAB
COVER

Series: Accessories Manufacturing Code: GT-MS05

Drawing 1/2 Scale - For Custom Size Drawing Contact Graham

Note: Sealant Not Shown On Details. Consult Technical Services At Factory For Sealing Procedures.

PAN FLASHING & EXTERIOR TRIM

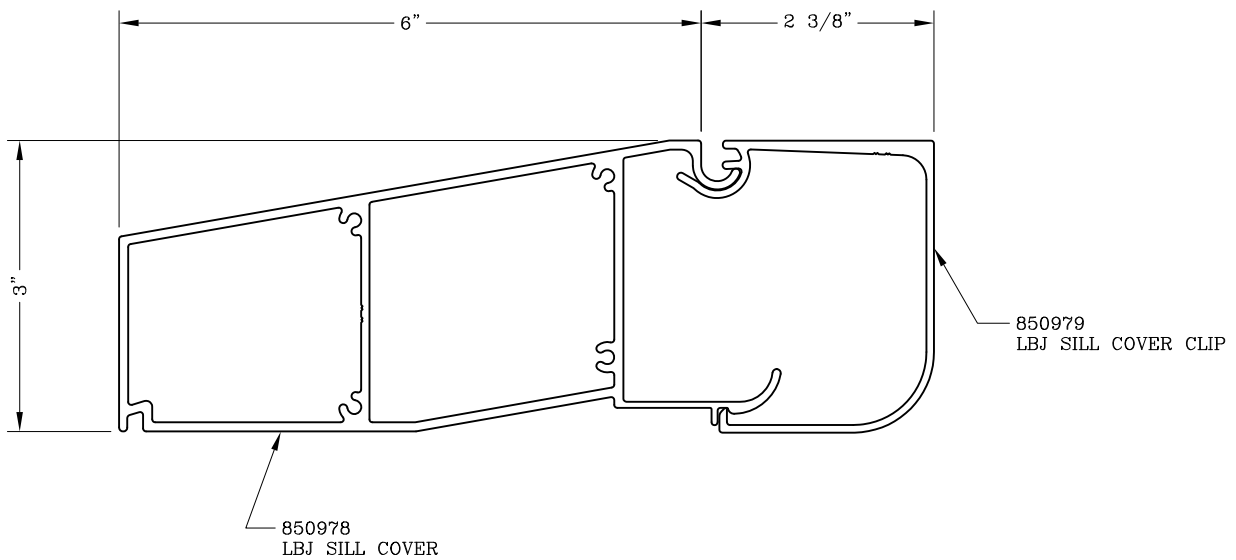


Series: Accessories Manufacturing Code: GT-MS06

Drawing 1/2 Scale - For Custom Size Drawing Contact Graham

Note: Sealant Not Shown On Details. Consult Technical Services At Factory For Sealing Procedures.

PAN FLASHING & EXTERIOR TRIM

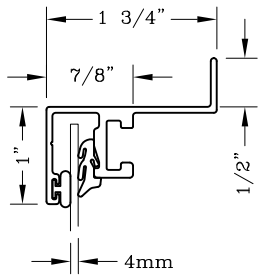


Series: Accessories Manufacturing Code: GT-MS07

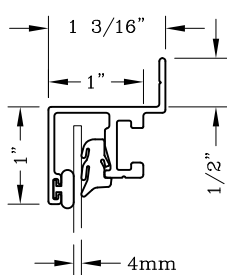
Drawing 1/2 Scale - For Custom Size Drawing Contact Graham

Note: Sealant Not Shown On Details. Consult Technical Services At Factory For Sealing Procedures.

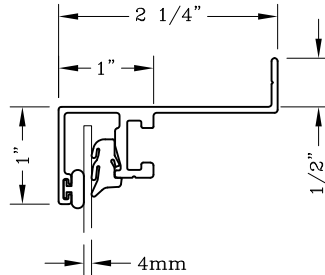
PANEL FRAMES



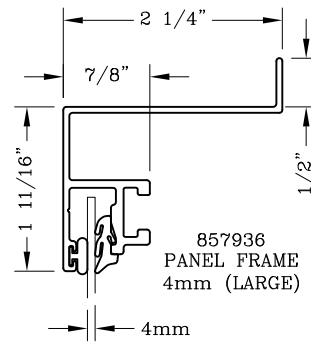
856505
PANEL FRAME
4mm (SMALL)



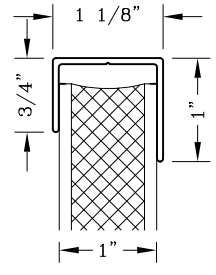
857019
PANEL FRAME
4mm-3/16"



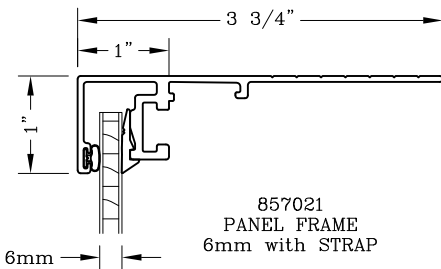
857788
PANEL FRAME
UMCP7



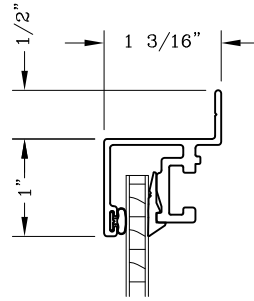
857936
PANEL FRAME
4mm (LARGE)



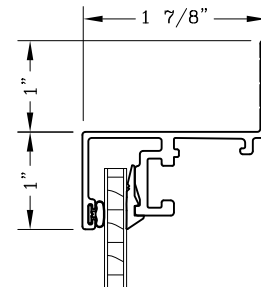
856289
PANEL FRAME
C-CHANNEL



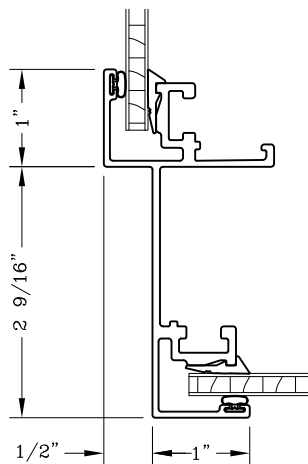
857021
PANEL FRAME
6mm with STRAP



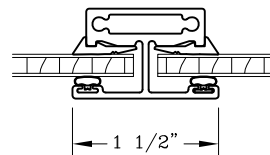
857022
PANEL FRAME
6mm with 1/2" LEG



857023
PANEL FRAME
6mm with 1" LEG



857024
PANEL FRAME BOTTOM
6mm

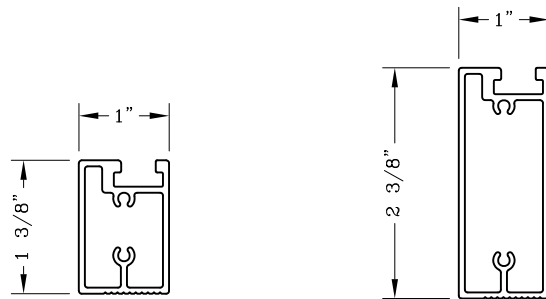


857025
PANEL FRAME MULLION
6mm

Series: Accessories Manufacturing Code: GT-MS08

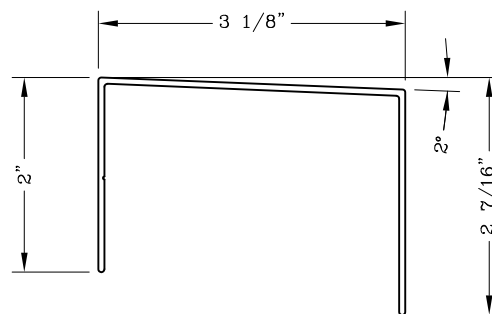
Drawing 1/2 Scale - For Custom Size Drawing Contact Graham

Note: Sealant Not Shown On Details. Consult Technical Services At Factory For Sealing Procedures.



851547
UTRH 1 3/8" FILLER

851548
UTRH 2 3/8" FILLER



857021
PANEL FRAME MULLION
6mm