

B6500 SERIES DATA SHEET

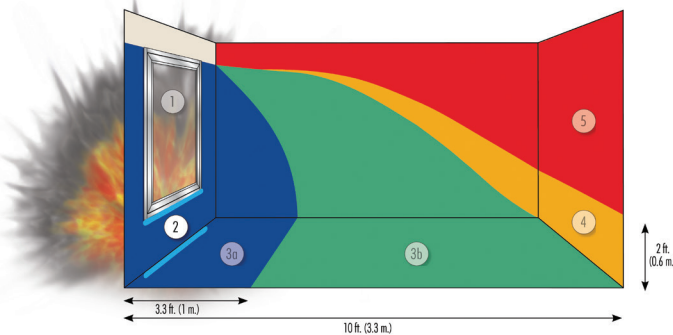
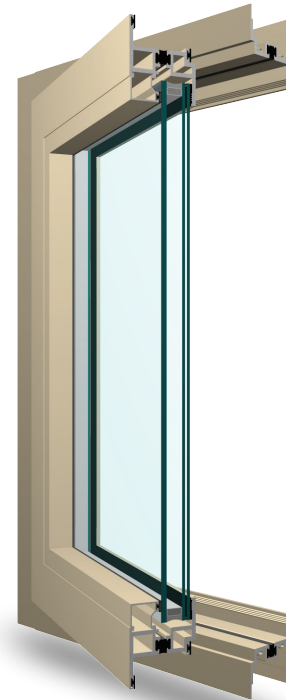
SHOCK TUBE & ARENA TESTED • THIRD PARTY EVALUATION • MANUFACTURED IN THE USA

WINDOW TYPE	FRAME DEPTH (inches)	SERIES	DESIGNED BLAST PRESSURE (psi)	POSITIVE PHASE IMPULSE (psi-msec)	WINDOW SIZE (inches)	GLAZING COMPOSITION (inches)	TESTING & CERTIFICATIONS		
							Test Methods	Qualified	Certification
Aluminum Casement/Projected	2 1/4"	B6500	6.3	41	48 x 66	1/4 annealed, 1/2 as, 1/4 lami	ASTM F 1642 GSA-TS01	ASTM "Minimal Hazard" GSA Condition 2 UFC 4-010-01	Independent Test Report
Aluminum Fixed			6.4	50	48 x 66	1/4 annealed, 1/2 as, 1/4 lami	ASTM F 1642 GSA-TS01	ASTM "Minimal Hazard" GSA Condition 2 UFC 4-010-01	Independent Test Report

Products comply with Unified Facilities Criteria UFC 4-010-01; DoD Minimum Antiterrorism Standards for Buildings

STANDARD FEATURES

- Monumental Casement/Projected/Fixed windows for blast mitigation
- Provides GSA level C protection against explosive attacks
- Meets DoD UFC 4-010-01 criteria
- Vents operate after blast incident
- Utilizes standard locking hardware
- Trim & clip or receptor anchoring system
- 1" insulating glass construction using industry standard laminated technology
- Mulls to 2 1/4" frame fixed and operable products
- Flush design of vent and frame for aesthetic appeal



Series B6500 Meets GSA Condition 2

Window series: B6500 Casement/Projected/Fixed — General Specifications & Details

- Nominal Frame/Sill Wall Thickness: 0.125"
- Test Size:
48" x 85"
- Glazing:
3/16" annealed, 1/16" spacer, 1/4" laminated
- Muntins: Between-the-glass grids, or applied grids available

- Finish Options:
AAMA 2603 — Standard acrylic or polyester
AAMA 2604 — 2 coat 50% fluoropolymer
AAMA 2605 — 2 coat fluoropolymer 70% kynar
Powder Coat
Anodized
- Hardware:
Casement/Projected:
Hinges: 4-bar stainless steel
Lock/Latch: White bronze standard
- Accessories:
Frame Family: 2 1/4"
Mullions: Stacking: Integral & fixed-stack mull
Side: 3-piece mull
Panning: Available
Trims: Available
Receptor Systems: Available
- Exceptions: Call Graham sales rep or see website for more information

Our products are tested to the standards of and certified by the American Architectural Manufacturer's Association and the National Fenestration Rating Council.



Blast Mitigation – 2 1/4” Projected Outswing

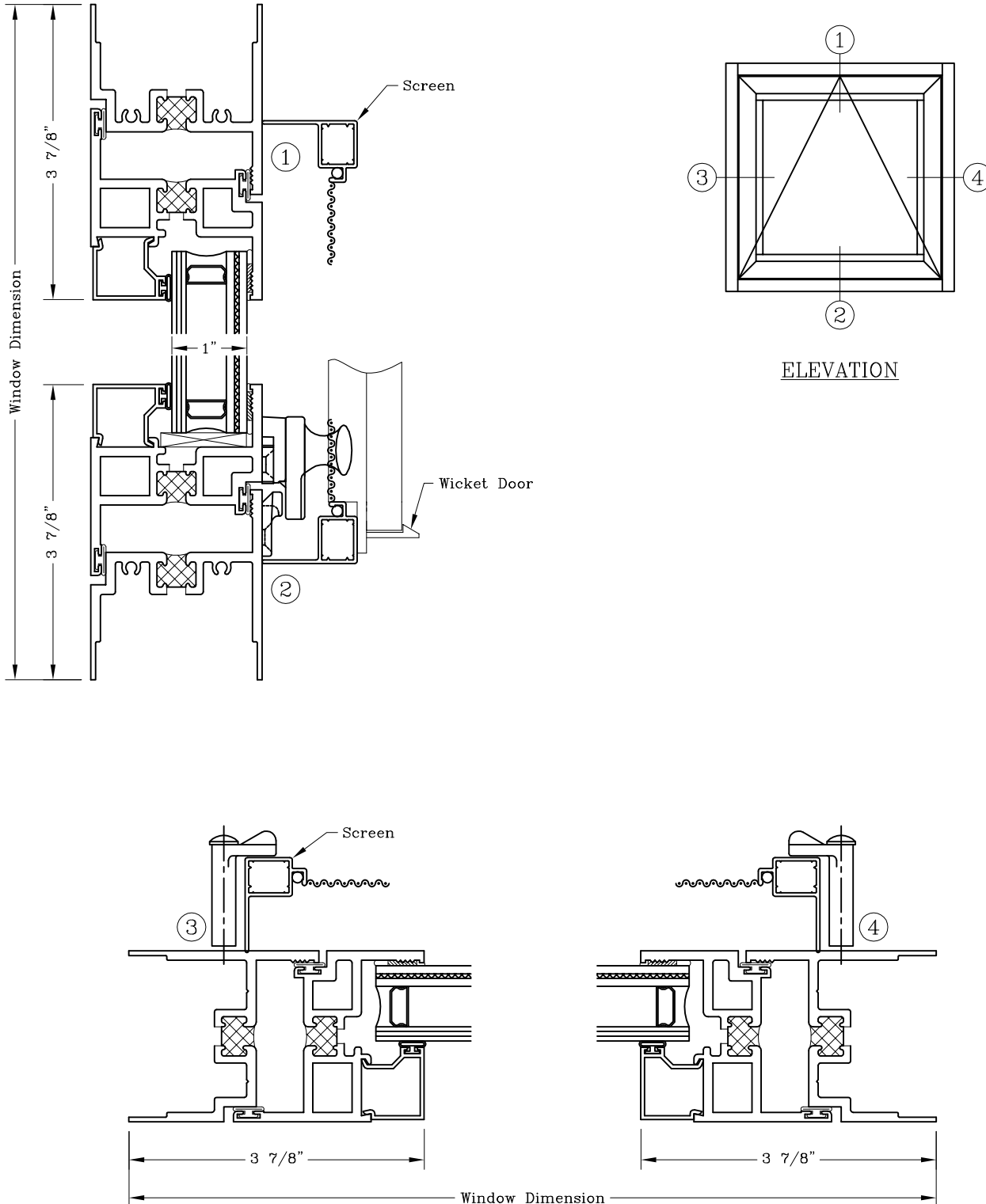


Series: B6500

Manufacturing Code: B6501

Drawing 1/2 Scale – For Custom Size Drawing Contact Graham

Note: Sealant Not Shown On Details. Consult Technical Services At Factory For Sealing Procedures.
For Blast Pressures And GSA Levels Contact Factory



Blast Mitigation – 2 1/4” Fixed

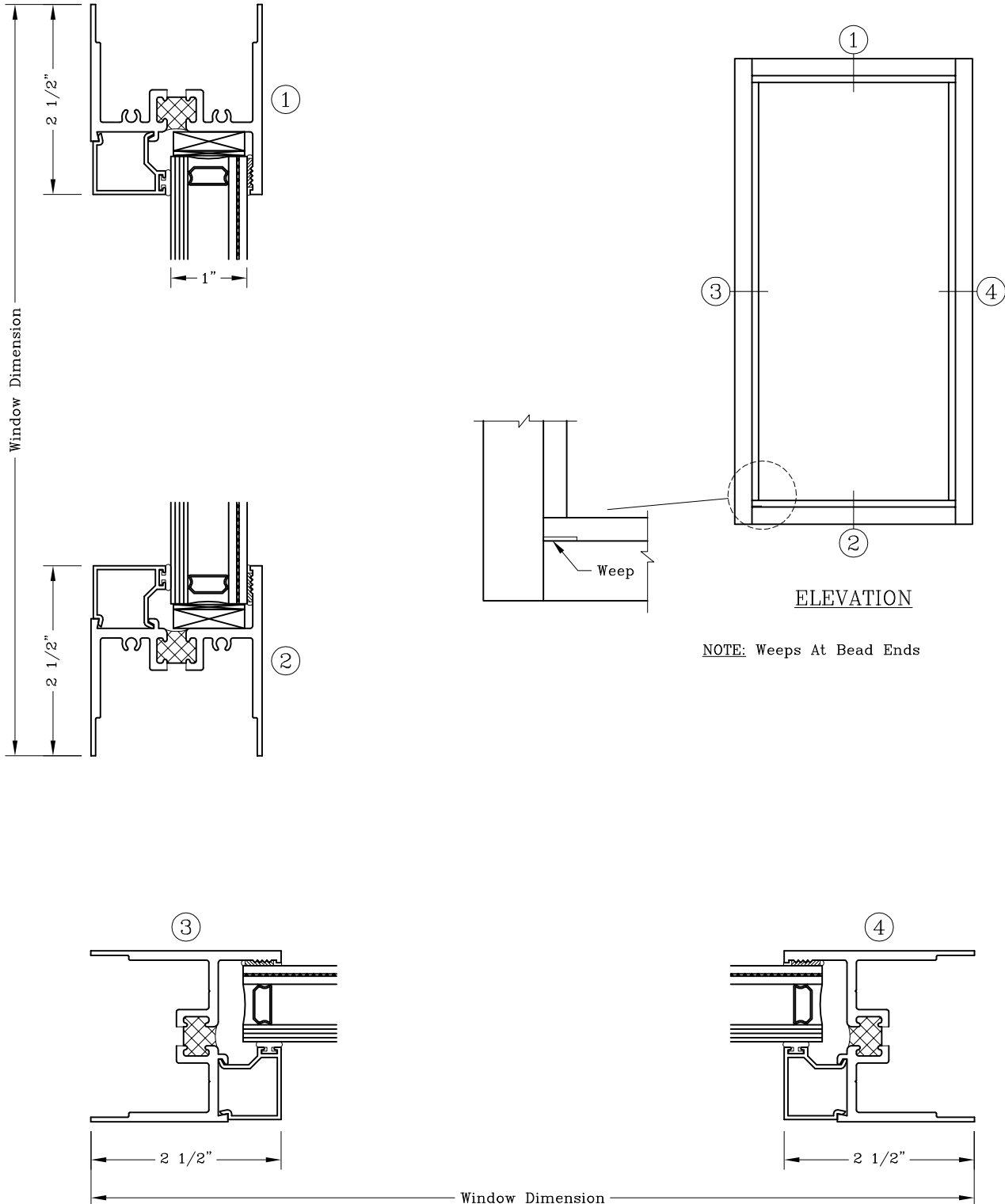


Series: B6500

Manufacturing Code: B6502

Drawing 1/2 Scale – For Custom Size Drawing Contact Graham

Note: Sealant Not Shown On Details. Consult Technical Services At Factory For Sealing Procedures.
For Blast Pressures And GSA Levels Contact Factory



Blast Mitigation – 2 1/4” Casement Outswing

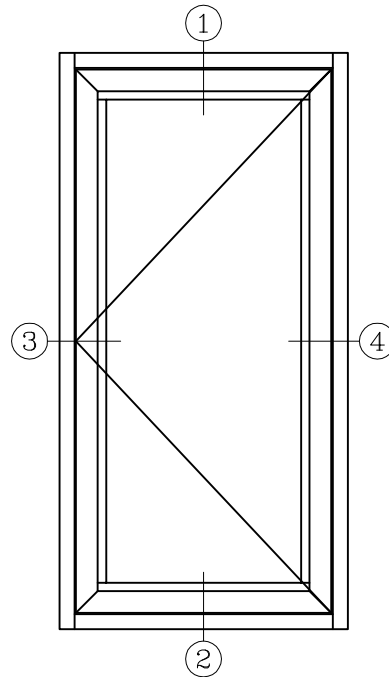
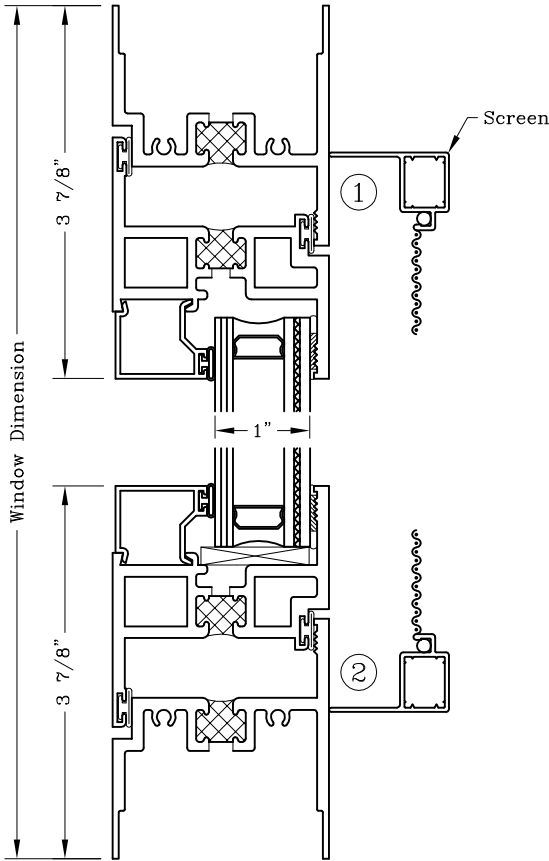


Series: B6500

Manufacturing Code: B6503

Drawing 1/2 Scale – For Custom Size Drawing Contact Graham

Note: Sealant Not Shown On Details. Consult Technical Services At Factory For Sealing Procedures.
For Blast Pressures And GSA Levels Contact Factory



ELEVATION

