

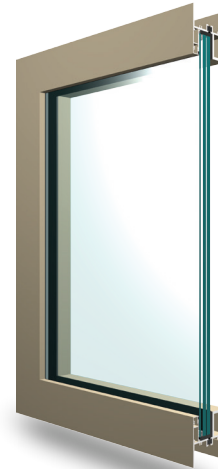
BR6800 SERIES DATA SHEET

UL 752 Bullet-Resistant Ratings

Rating	Ammunition	Weight	(g)	Velocity		No. of Shots
				min fps	max mps	
LEVEL 1	9mm Full-Metal Copper Jacket with Lead Core	124	8	1175	358	3
		grains		1293		
LEVEL 2	.357 Magnum Jacketed Lead Soft Point	158	10.2	1250	385	3
		grains		1375		
LEVEL 3	.44 Magnum Lead Semi-Wadcutter Gas Checked	240	15.6	1350	411	3
		grains		1485		
LEVEL 4	.30 Caliber Rifle Lead Core Soft Point (.30-06 Caliber)	180	11.7	2540	774	1
		grains		2794		
LEVEL 5	7.62mm Rifle Lead Core Full-Metal Copper Jacket, Military Ball (.308 Caliber)	150	9.7	2750	838	1
		grains		3025		
LEVEL 6	9mm Full-Metal Copper Jacket with Lead Core	124	8	1400	427	5
		grains		1540		
LEVEL 7	5.56mm Rifle Full-Metal Copper Jacket with Lead Core (.223 Caliber)	55	3.56	3080	939	5
		grains		3380		
LEVEL 8	7.62mm Rifle Lead Core Full-Metal Copper Jacket, Military Ball (.308 Caliber)	150	9.7	2750	838	5
		grains		3025		
Supplementary Shotgun	12-Gauge Rifled Lead Slug and 12-Gauge 00 Lead Buckshot (12 pellets)	1 oz.	28.3	1585	483	3
				1744		
		1.5 oz.	42	1200	366	3
				1320		

STANDARD FEATURES

- Aluminum framing with configurable protective glazing options
- Ballistic and blast-resistant combined product available
- Tested to UL752 Level III Ballistic Standard
- Improves asset protection and life-safety issues
- Helps deter robbery attempts
- Ballistics, blast, and architectural windows are available with the same sightlines (architect can get the protection desired without sacrificing aesthetic appeal)



Window series: BR6800 Fixed — General Specifications & Details

- Nominal Frame/Sill Wall Thickness: Varies
- Glazing:
 - Variety of glazing options available
- Muntins: Applied grids available

- Finish Options:
 - AAMA 2603 — Standard acrylic or polyester
 - AAMA 2604 — 2 coat 50% fluoropolymer
 - AAMA 2605 — 2 coat fluoropolymer 70% kynar
 - Powder Coat
 - Anodized
- Accessories:
 - Frame Family: 3½"
 - Mullions: "T" mullion or tube mullion
 - Trims: Trim & clip anchoring

Our products are tested to the standards of and certified by the American Architectural Manufacturer's Association and the National Fenestration Rating Council.



Ballistic Mitigation – 3 1/2”

Fixed

Tested To UL 752 Level 3 (.44 Magnum)

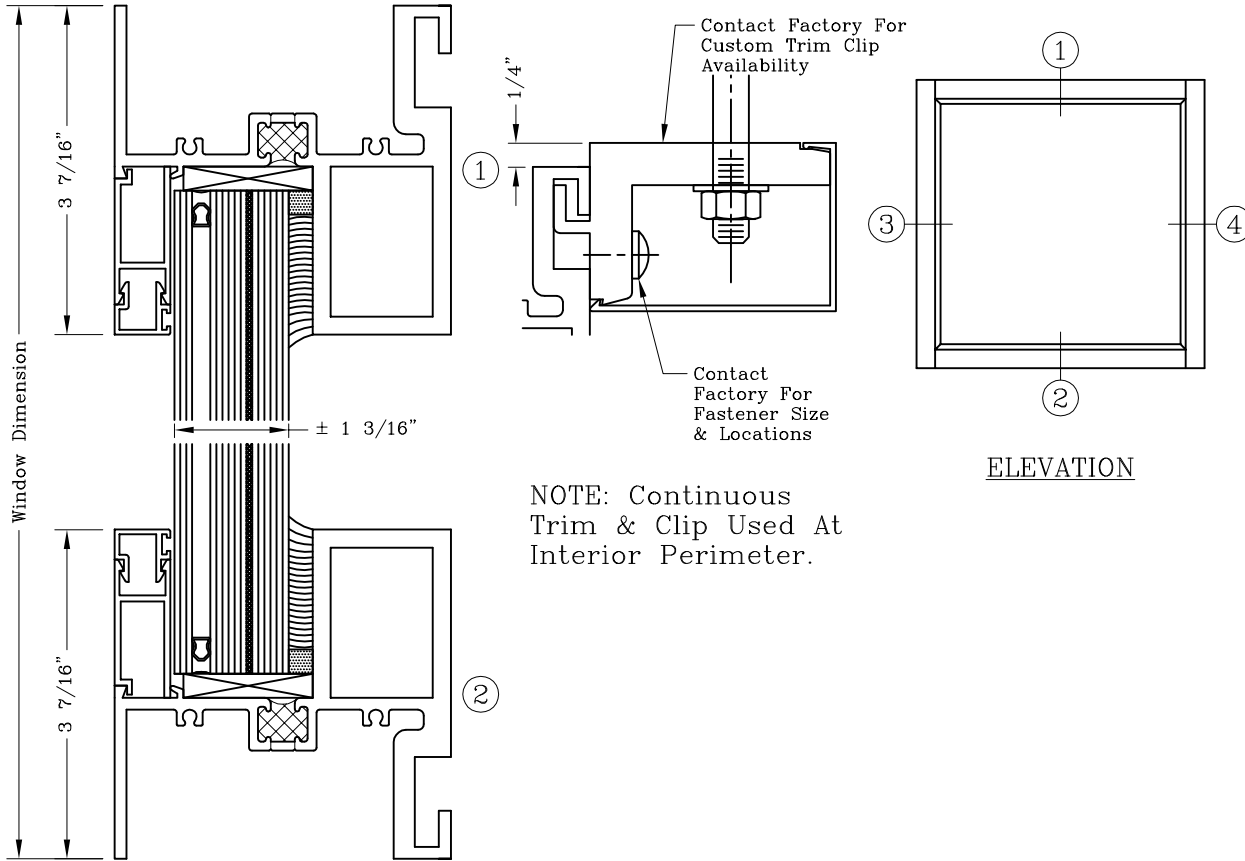
Series: BR6800 HP Manufacturing Code: BR6801

Drawing 1/2 Scale – For Custom Size Drawing Contact Graham



Meets Or Exceeds
UFC 2007 & GSA
Level D

Note: Sealant Not Shown On Details. Consult Technical Services At Factory For Sealing Procedures.
For Other Blast Pressures And GSA Levels Contact Factory



NOTE: Continuous Trim & Clip Used At Interior Perimeter.

