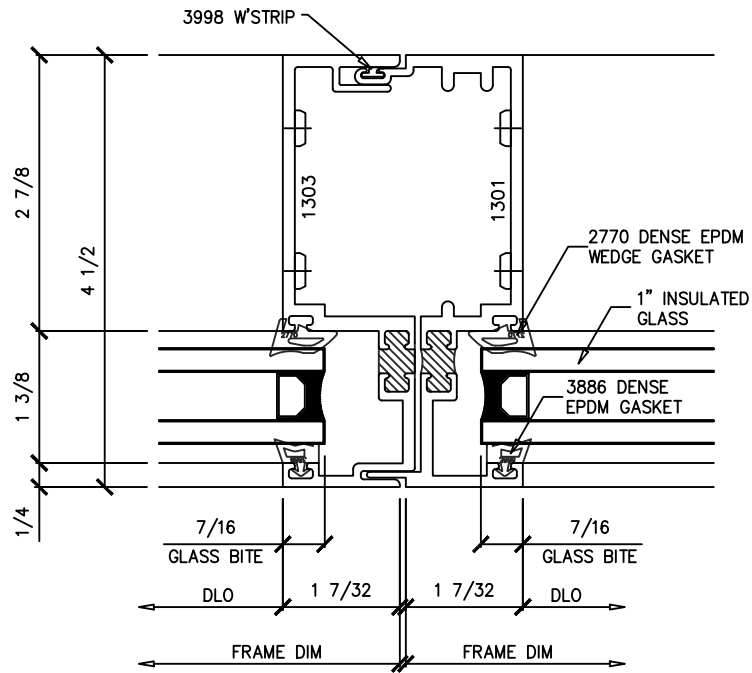


2" x 4-1/2"  
 Fixed Window  
 Series: 450T  
 Details G, H

Drawing 1/2 Scale - For Custom Size Drawing Contact Graham

Note: Consult Technical Services At Factory For Sealing Procedures.

G Optional Vertical Stack



H Optional Sill

