

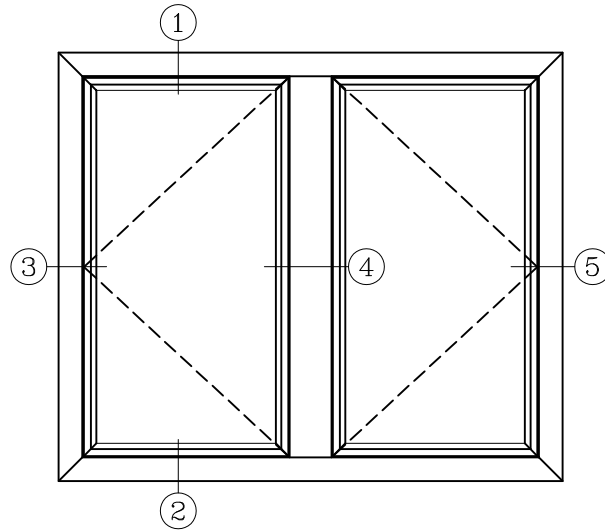
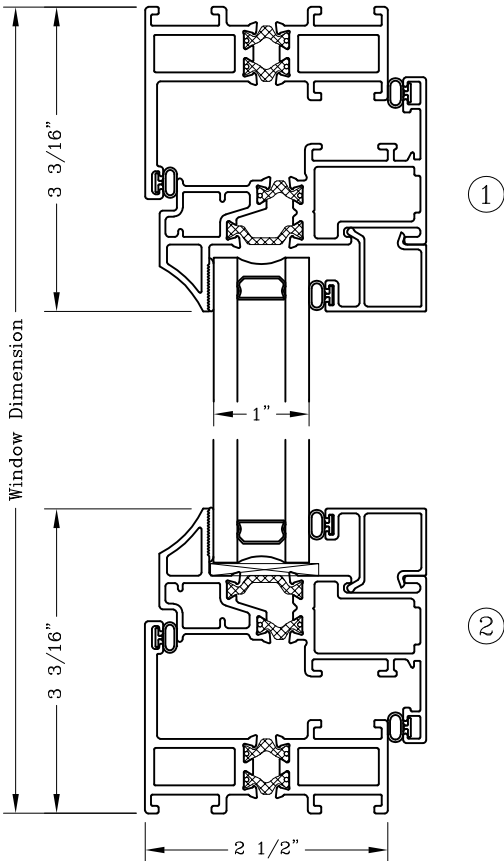
# Casement – 2 1/2” Inswing Twin Casement



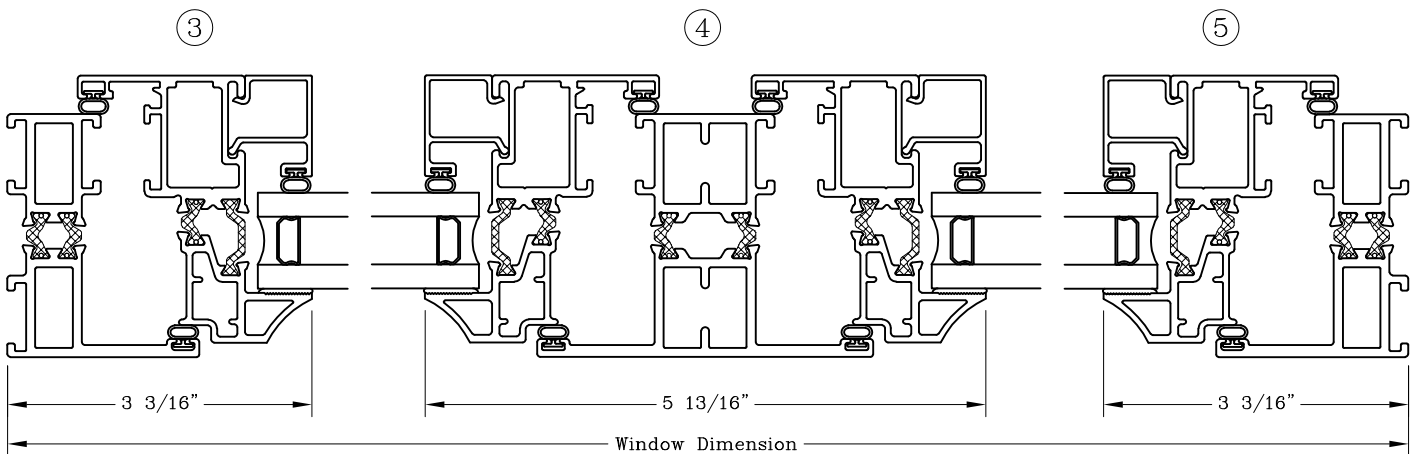
Series: GS6600      Manufacturing Code: GS6632C

Drawing 1/2 Scale – For Custom Size Drawing Contact Graham

Note: Sealant Not Shown On Details. Refer To General Installation Instructions.



ELEVATION



Graham Architectural Products reserves the right to change, add, cancel, remove or otherwise modify the details illustrated without prior notice.

1551 Mt. Rose Avenue, York, Pennsylvania 17403-2909 717.849.8100 Toll Free: 800/755-6274

0223 – GS66.32C

Web Site: [www.grahamwindows.com](http://www.grahamwindows.com)