

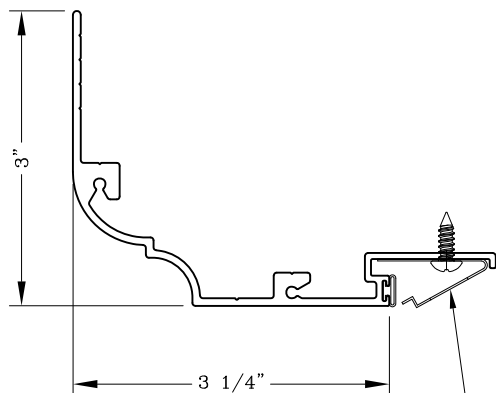
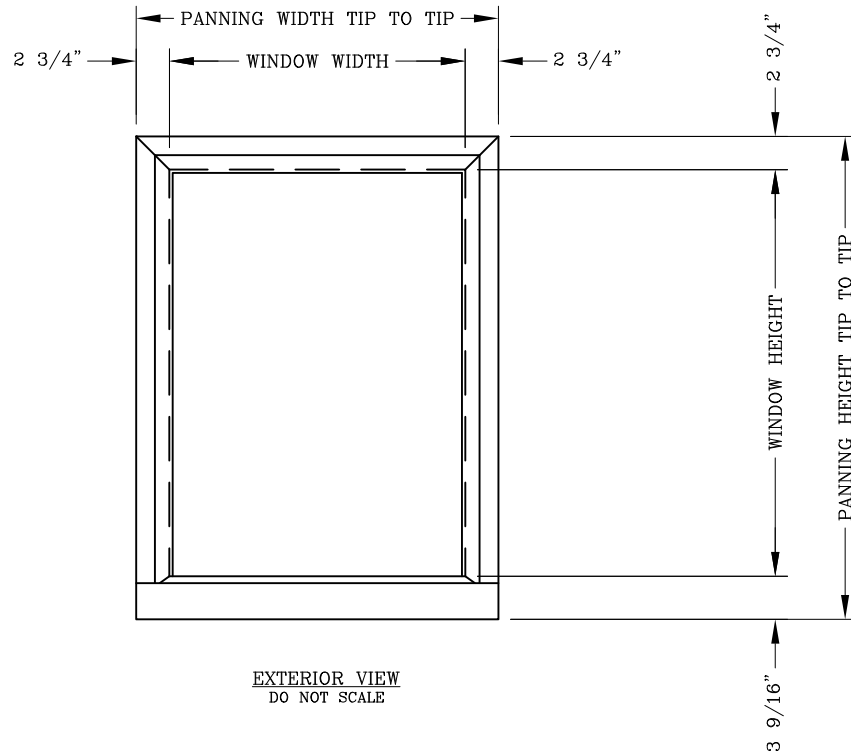
Preset Panning



Series: Accessories Manufacturing Code: GT-PPN02

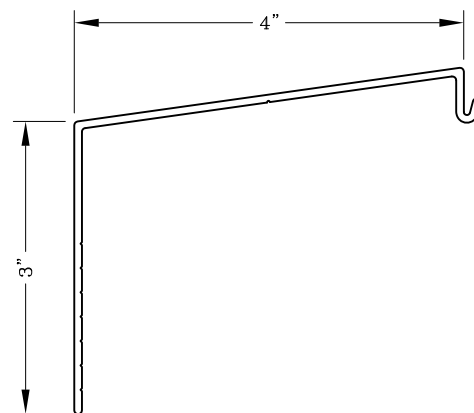
Drawing 1/2 Scale – For Custom Size Drawing Contact Graham

Note: Sealant Not Shown On Details. Consult Technical Services At Factory For Sealing Procedures.



851482
HEAD / JAMB
CLASSIC
PRESET PANNING

Panning Clip #928038
And #8 x 1/2 PHPN
#939246 Supplied
For Field Attachment



854217
SILL
STANDARD
PANNING