

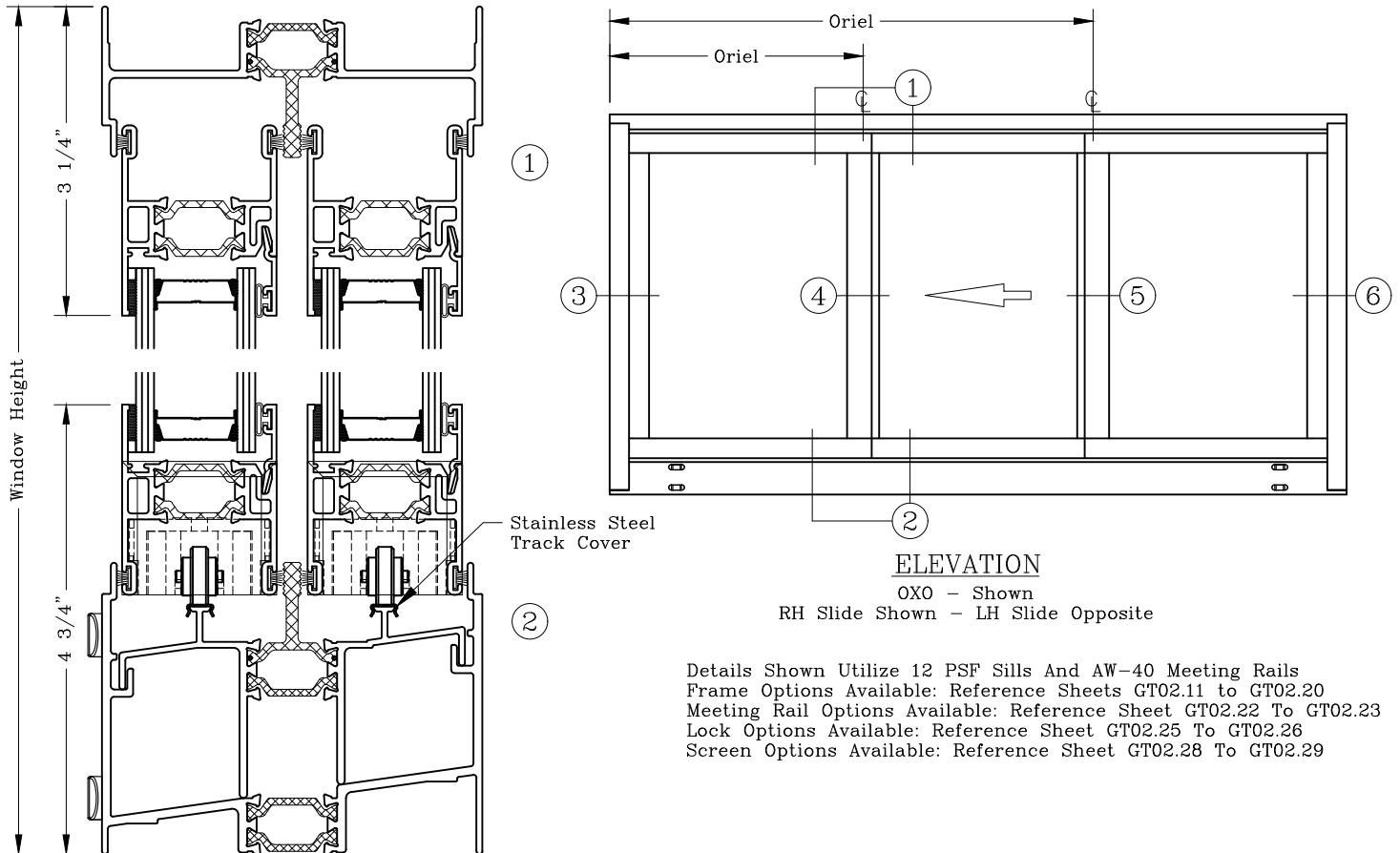
# Horizontal Slider – 4” 1 1/4” IG Non-Historic Glazing



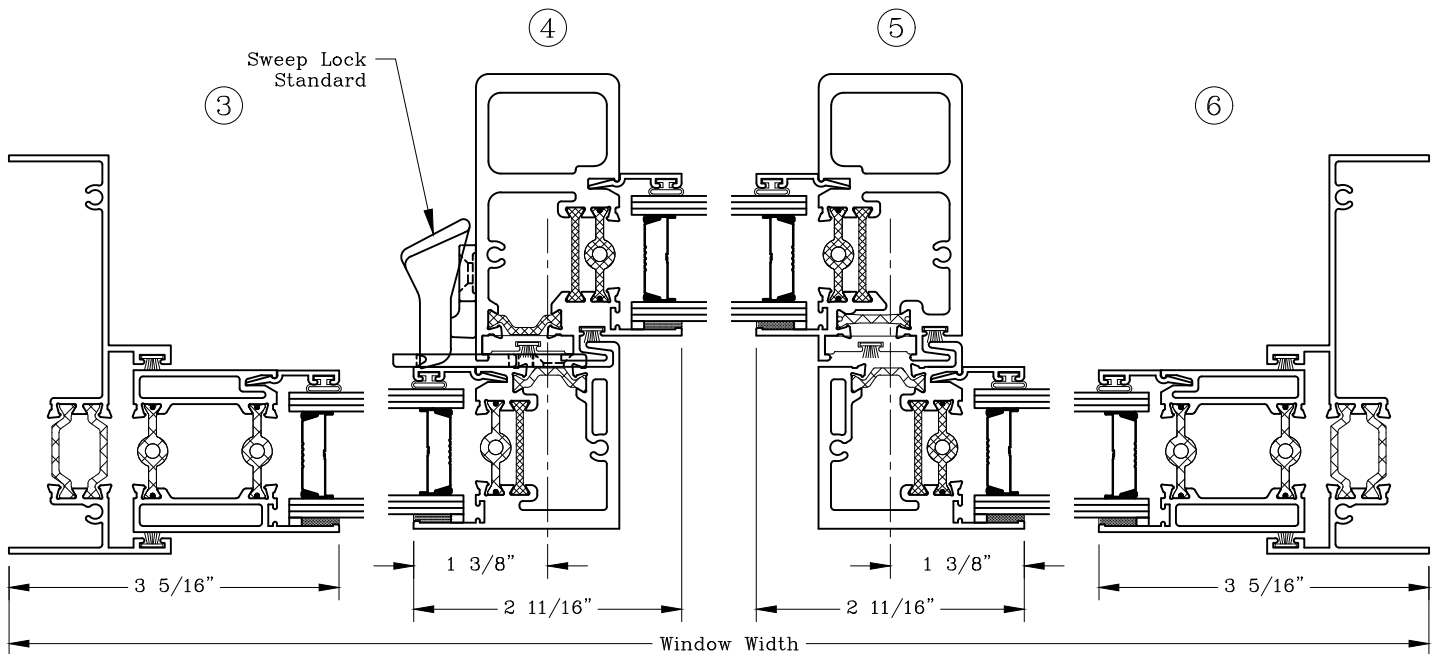
Series: GT0200 Manufacturing Code: GT0204

Drawing 1/2 Scale – For Custom Size Drawing Contact Graham

Note: Sealant Not Shown On Details. Refer To General Installation Instructions.



Details Shown Utilize 12 PSF Sills And AW-40 Meeting Rails  
 Frame Options Available: Reference Sheets GT02.11 to GT02.20  
 Meeting Rail Options Available: Reference Sheet GT02.22 To GT02.23  
 Lock Options Available: Reference Sheet GT02.25 To GT02.26  
 Screen Options Available: Reference Sheet GT02.28 To GT02.29



Graham Architectural Products reserves the right to change, add, cancel, remove or otherwise modify the details illustrated without prior notice.

1551 Mt. Rose Avenue, York, Pennsylvania 17403-2909 717.849.8100 Toll Free: 800/755-6274

0324 – GT02.04

Web Site: [www.grahamwindows.com](http://www.grahamwindows.com)