

Horizontal Slider – 4” Frame Options

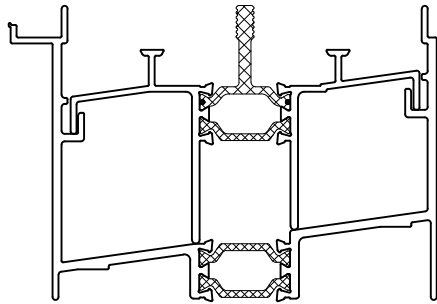
12 PSF Sills

Series: GT0200

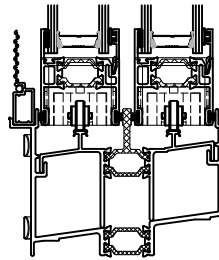
Manufacturing Code: GT0216

Drawing 1/2 Scale – For Custom Size Drawing Contact Graham

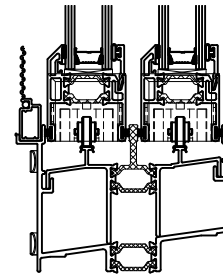
Note: Sealant Not Shown On Details. Refer To General Installation Instructions.



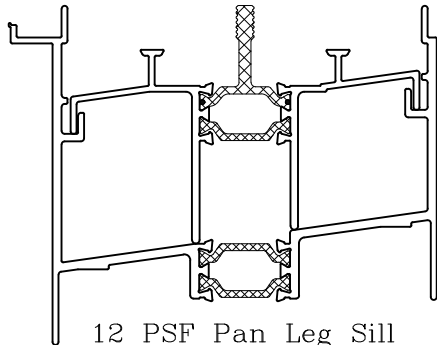
12 PSF Equal Leg Sill
With Screen Track



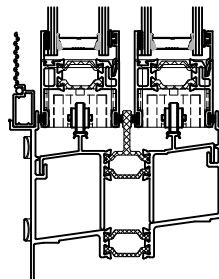
Detail Scale 1:4



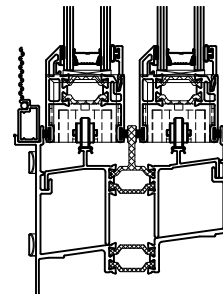
Detail Scale 1:4



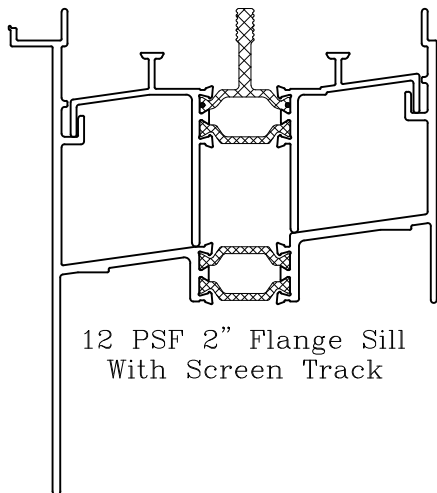
12 PSF Pan Leg Sill
With Screen Track



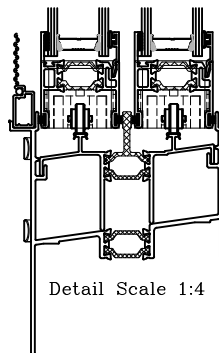
Detail Scale 1:4



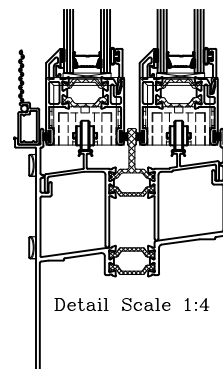
Detail Scale 1:4



12 PSF 2” Flange Sill
With Screen Track



Detail Scale 1:4



Detail Scale 1:4

Graham Architectural Products reserves the right to change, add, cancel, remove or otherwise modify the details illustrated without prior notice.

1551 Mt. Rose Avenue, York, Pennsylvania 17403-2909 800/755-6274 Fax: 800/366-5097

Web Site: www.grahamwindows.com

1019 – GT02.16