

# Horizontal Slider – 4”

Lock Option

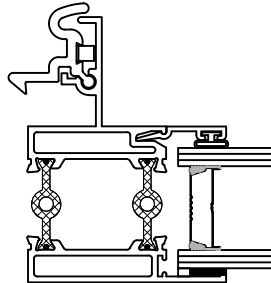
Extruded Spring Latch

Series: GT0200

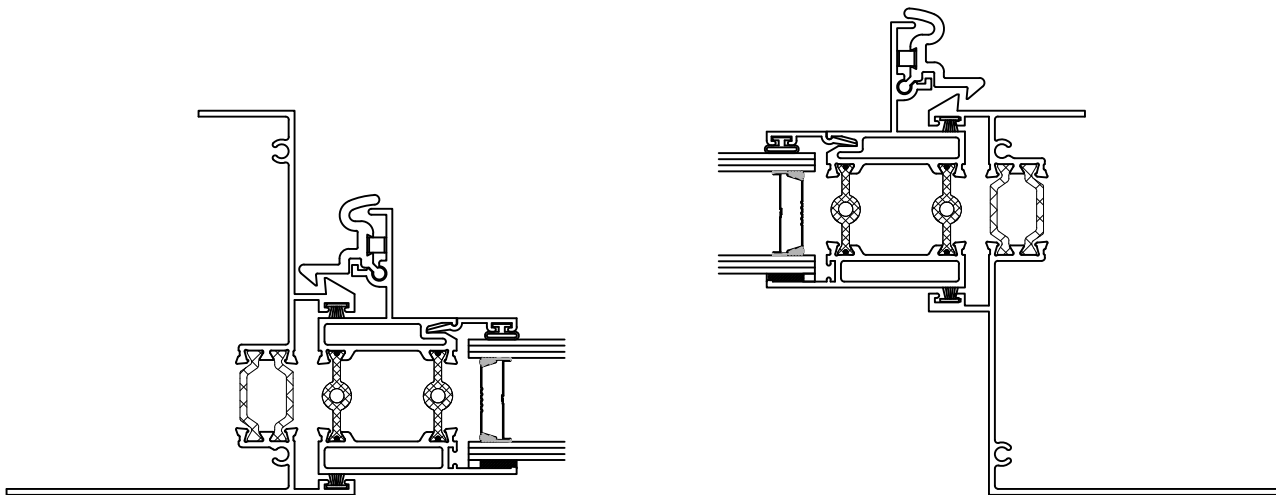
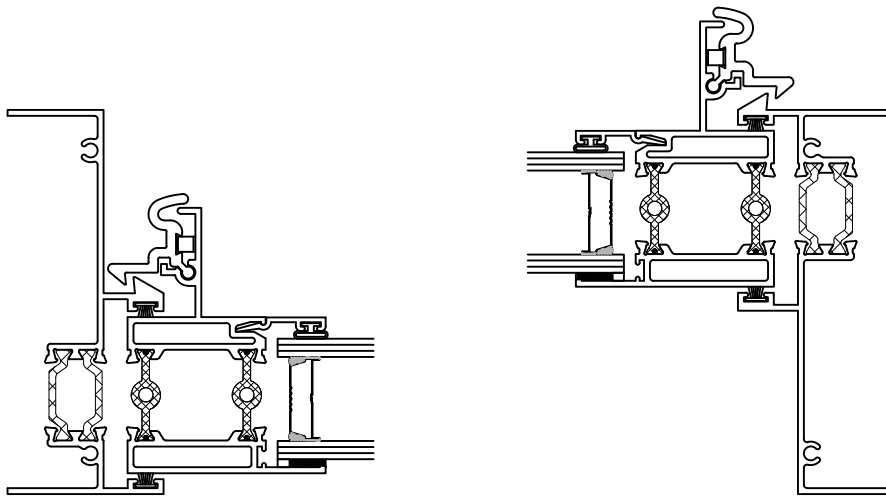
Manufacturing Code: GT0225

Drawing 1/2 Scale – For Custom Size Drawing Contact Graham

Note: Sealant Not Shown On Details. Refer To General Installation Instructions.



1/4" IG Non Historic  
Vent Stile With  
Extruded Spring Latch



Graham Architectural Products reserves the right to change, add, cancel, remove or otherwise modify the details illustrated without prior notice.

1551 Mt. Rose Avenue, York, Pennsylvania 17403-2909 800/755-6274 Fax: 800/366-5097

1019 – GT02.25

Web Site: [www.grahamwindows.com](http://www.grahamwindows.com)