

Horizontal Slider - 4"

Lock Option

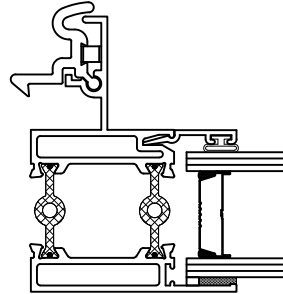
Extruded Spring Latch

Series: GT0200

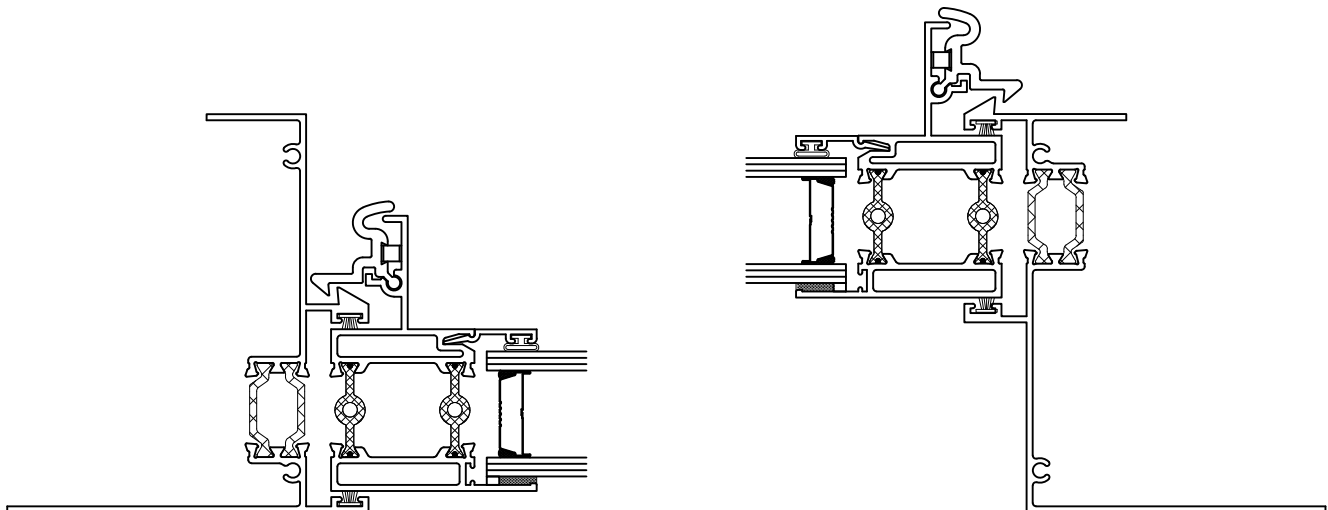
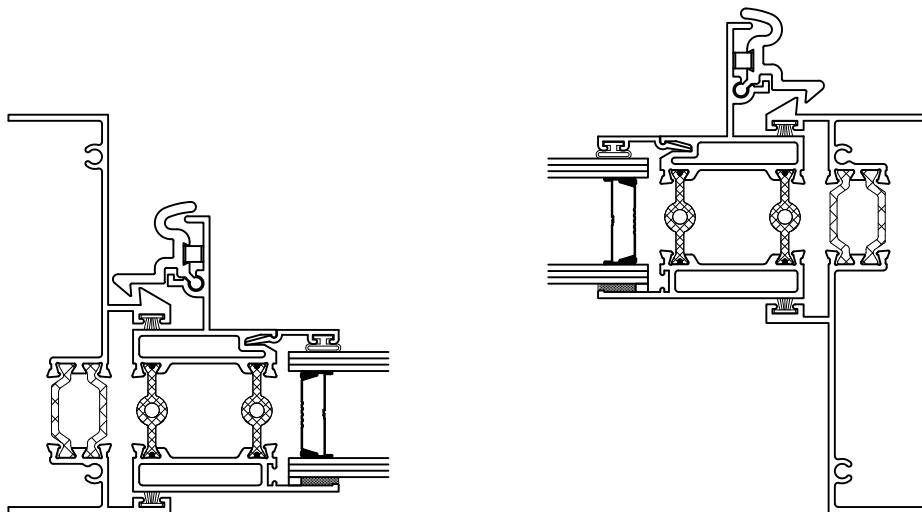
Manufacturing Code: GT0225

Drawing 1/2 Scale - For Custom Size Drawing Contact Graham

Note: Sealant Not Shown On Details. Refer To General Installation Instructions.



1/4" IG Non Historic
Vent Stile With
Extruded Spring Latch



Graham Architectural Products reserves the right to change, add, cancel, remove or otherwise modify the details illustrated without prior notice.

1551 Mt. Rose Avenue, York, Pennsylvania 17403-2909 717.849.8100 Toll Free: 800/755-6274

0324 - GT02.25

Web Site: www.grahamwindows.com