

Sliding Glass Door - 4"

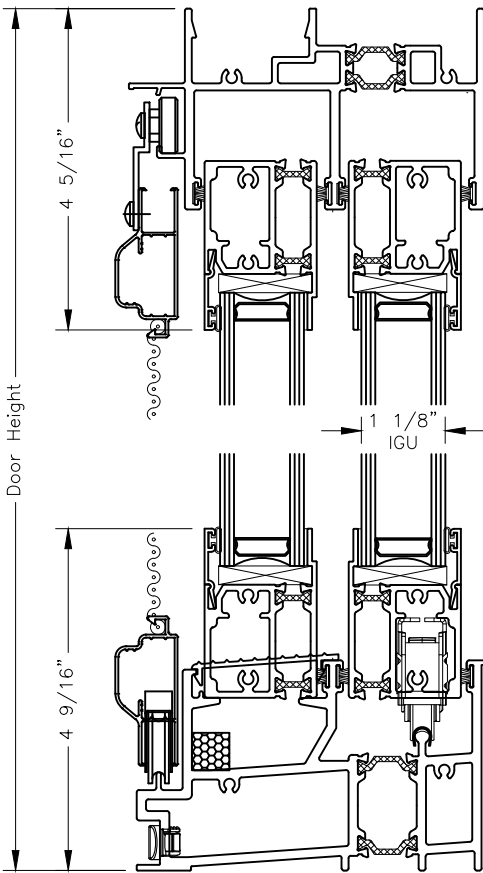


Series: GT0900

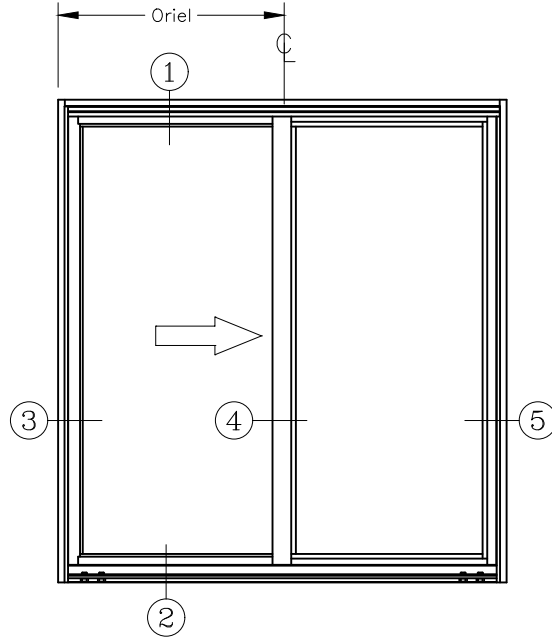
Manufacturing Code: GT0901

Drawing 1/2 Scale - For Custom Size Drawing Contact Graham

Note: Sealant Not Shown On Details. Refer To General Installation Instructions.



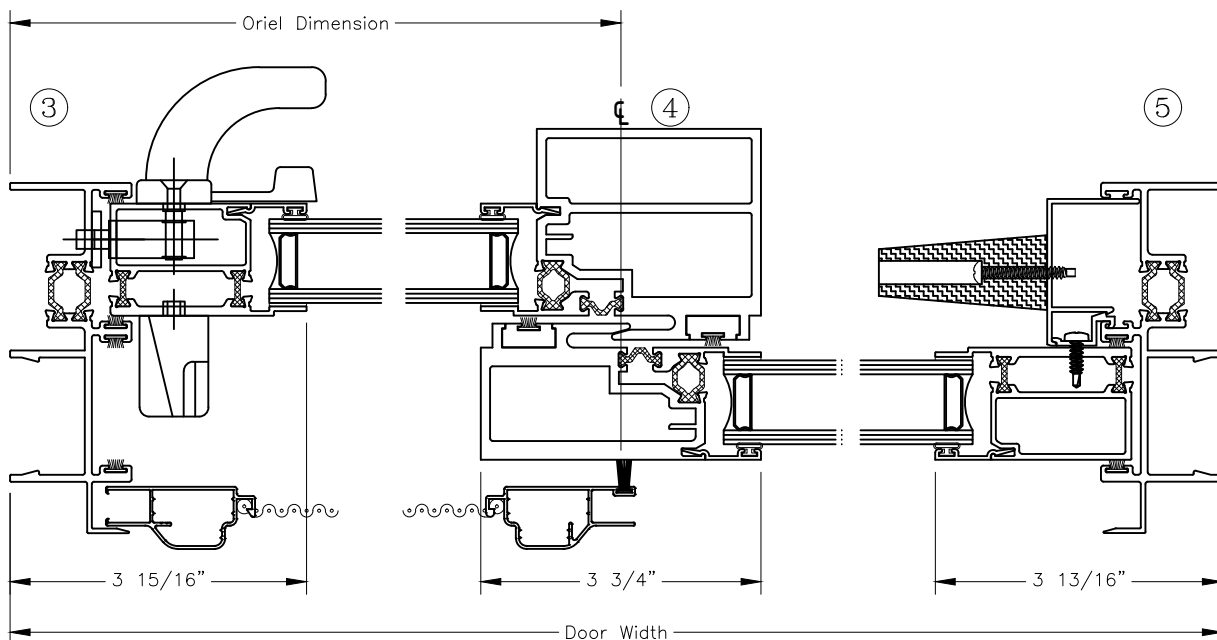
①



ELEVATION

X0 - Shown
OX - Opposite

Note:
Pull Hardware Default Color Is Black.



Graham Architectural Products reserves the right to change, add, cancel, remove or otherwise modify the details illustrated without prior notice.

1551 Mt. Rose Avenue, York, Pennsylvania 17403-2909 717.849.8100 Toll Free: 800/755-6274

0524 - GT09.01

Web Site: www.grahamwindows.com