

Sliding Glass Door - 4"

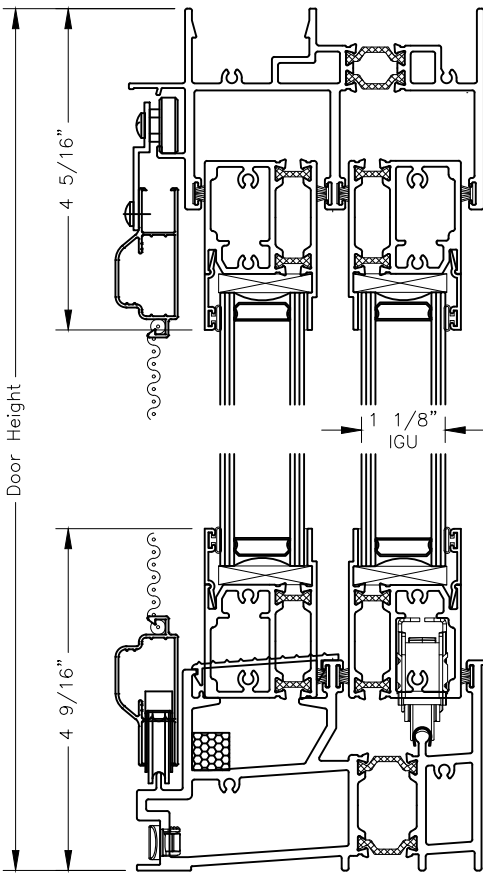


Series: GT0900

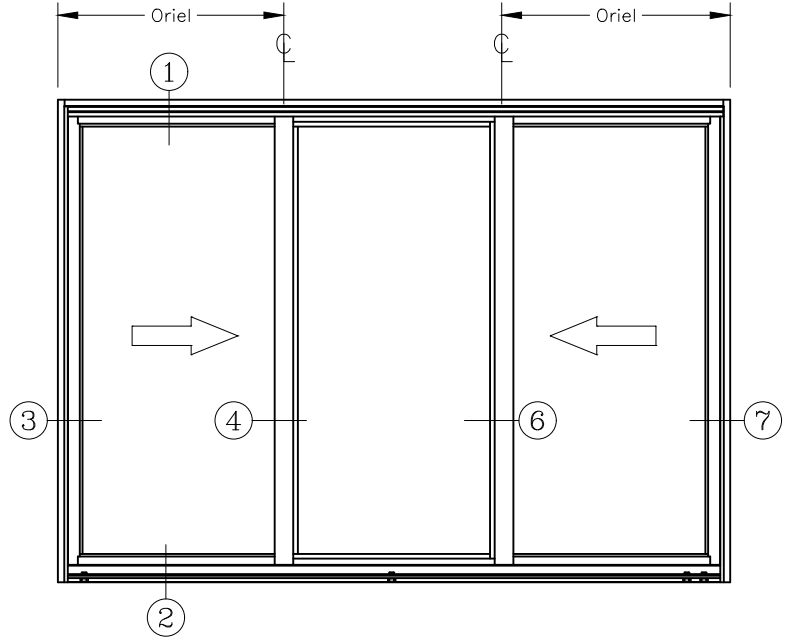
Manufacturing Code: GT0902

Drawing 1/2 Scale - For Custom Size Drawing Contact Graham

Note: Sealant Not Shown On Details. Refer To General Installation Instructions.



①



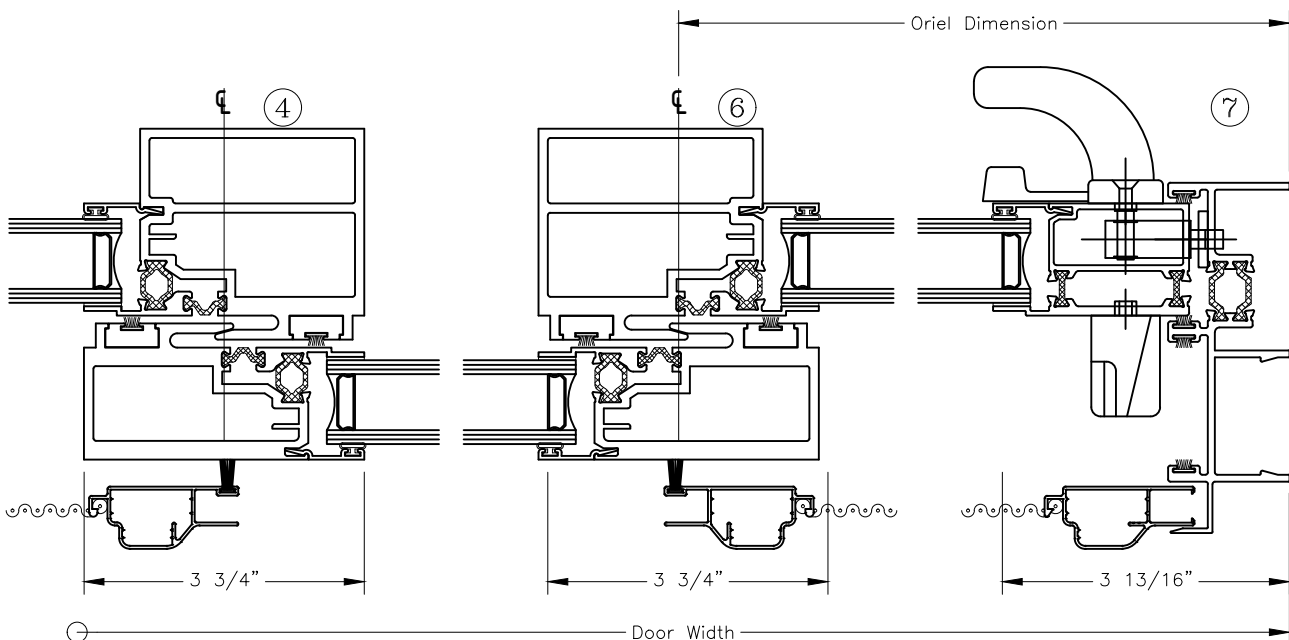
ELEVATION

XOX - Shown

Note:

1. Reference Page GT09.01 For Detail #3
2. Pull Hardware Default Color Is Black.

②



Graham Architectural Products reserves the right to change, add, cancel, remove or otherwise modify the details illustrated without prior notice.

1551 Mt. Rose Avenue, York, Pennsylvania 17403-2909 717.849.8100 Toll Free: 800/755-6274

Web Site: www.grahamwindows.com

0524 - GT09.02