

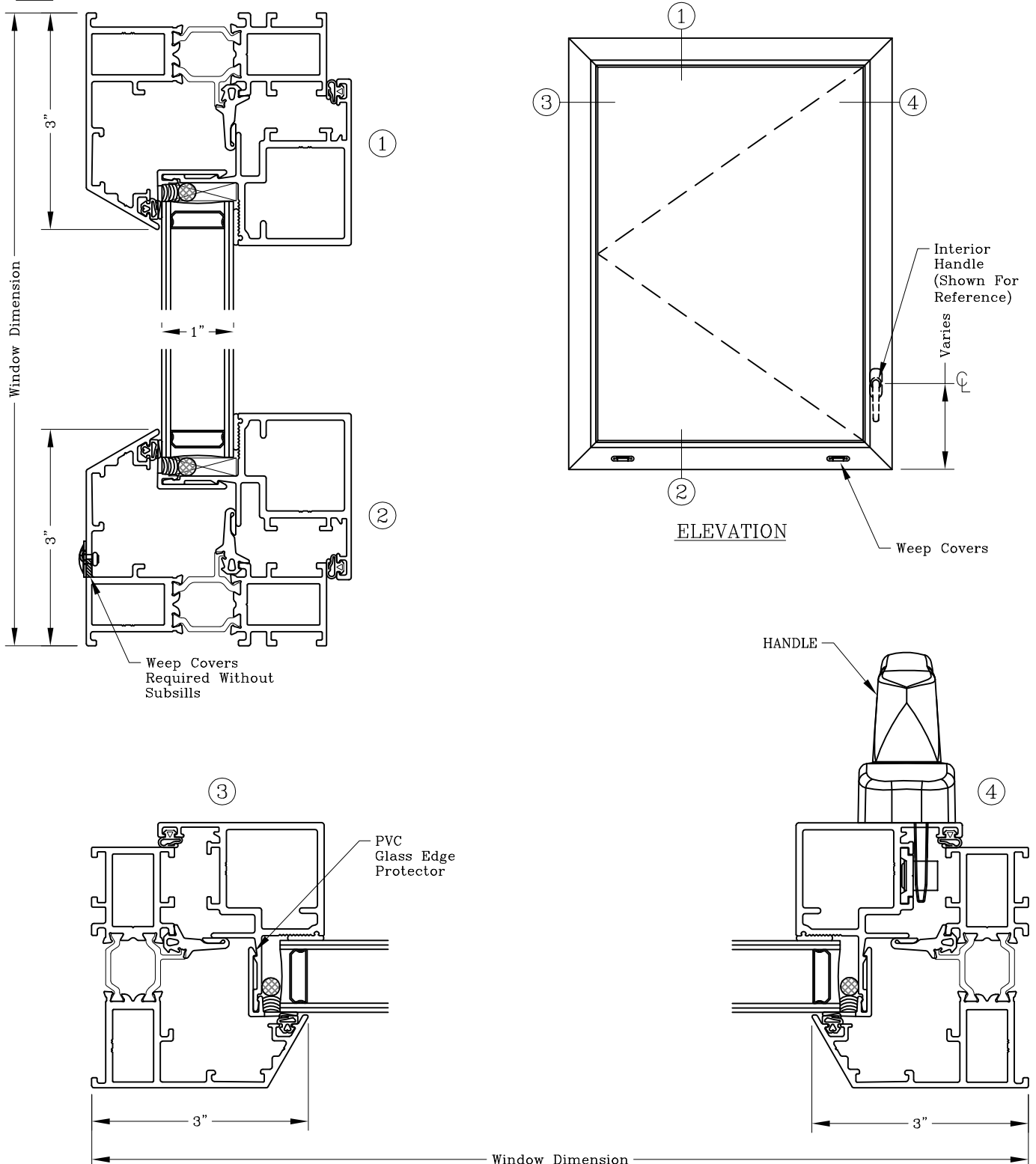
Casement Inswing - 3 3/8"
 Standard Frame
 Concealed Vent (CV)



Series: GT1000 Manufacturing Code: GT100001

Drawing 1/2 Scale - For Custom Size Drawing Contact Graham

Note: Sealant Not Shown On Details. Refer To General Installation Instructions.



Fixed/Casement Inswing - 3 3/8" Standard Frame Concealed Vent (CV)

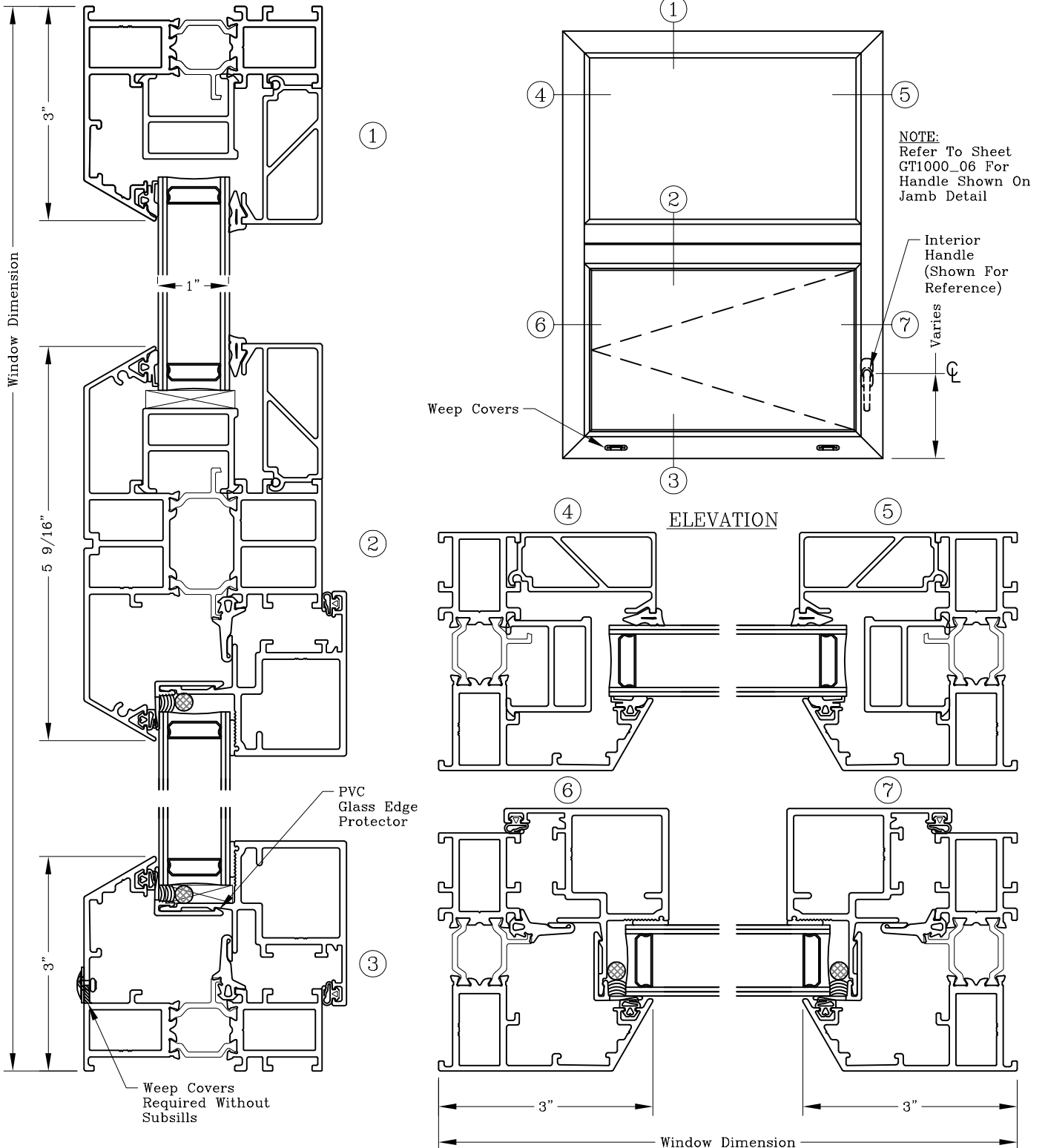


Series: GT1000

Manufacturing Code: GT100002

Drawing 1/2 Scale - For Custom Size Drawing Contact Graham

Note: Sealant Not Shown On Details. Refer To General Installation Instructions.



Casement Inswing/Fixed - 3 3/8" Standard Frame Concealed Vent (CV)

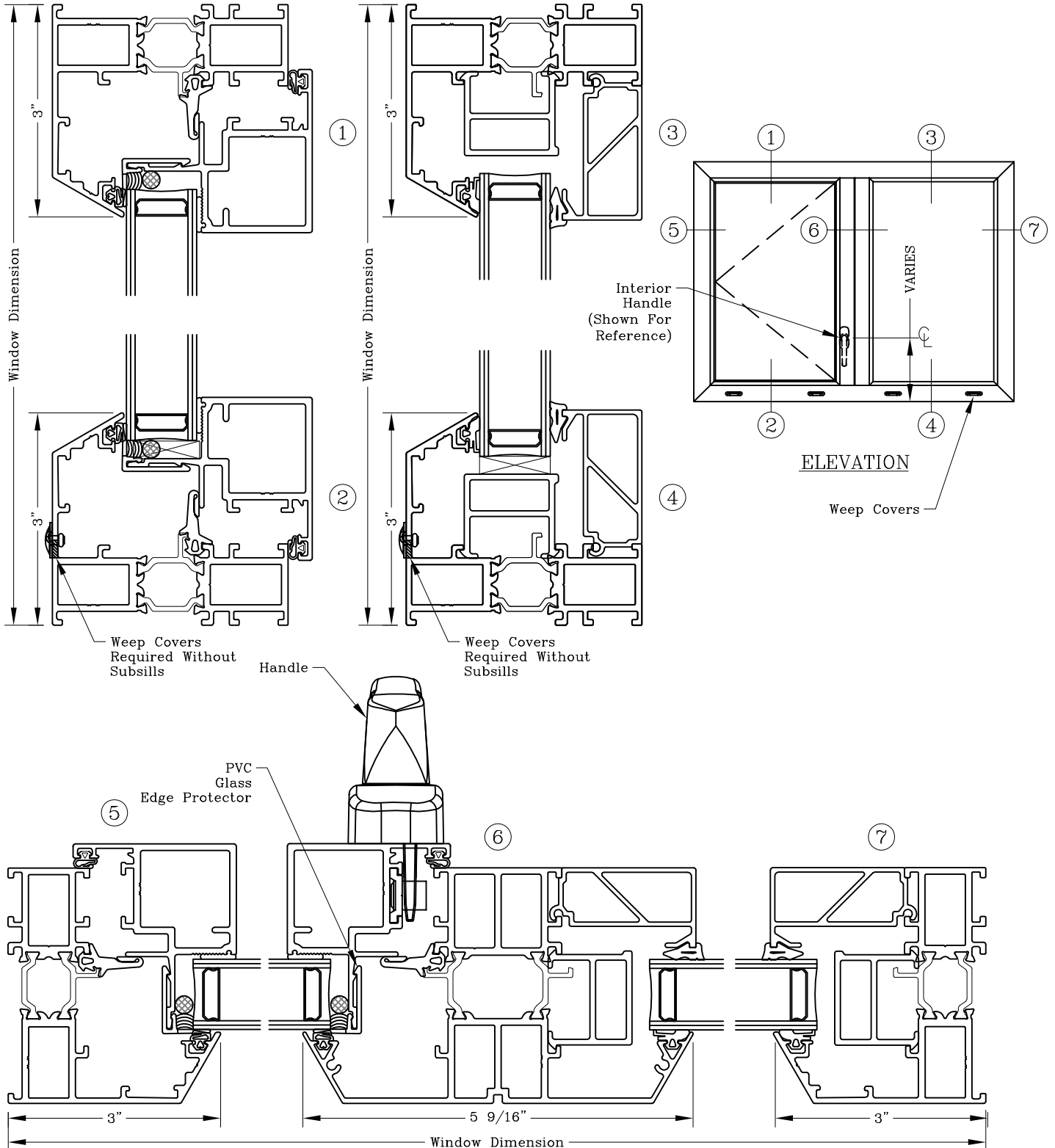


Series: GT1000

Manufacturing Code: GT100003

Drawing 1/2 Scale - For Custom Size Drawing Contact Graham

Note: Sealant Not Shown On Details. Refer To General Installation Instructions.



Fixed - 3 3/8"
 Standard Frame
 3" Sitrline

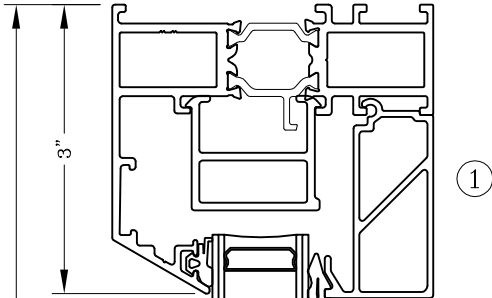


Series: GT1000

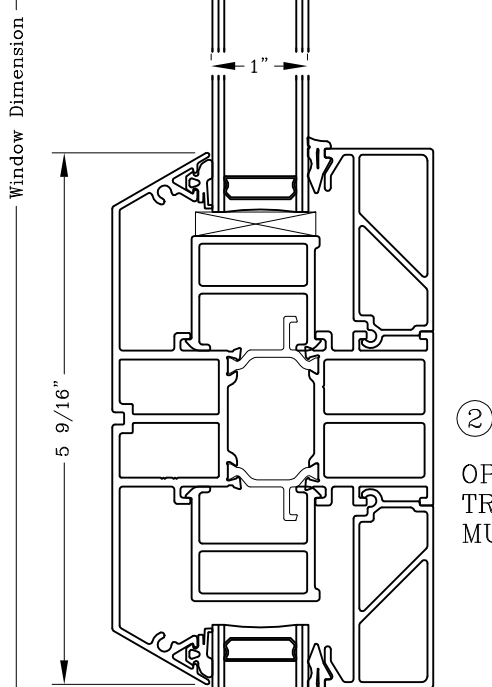
Manufacturing Code: GT100004

Drawing 1/2 Scale - For Custom Size Drawing Contact Graham

Note: Sealant Not Shown On Details. Refer To General Installation Instructions.

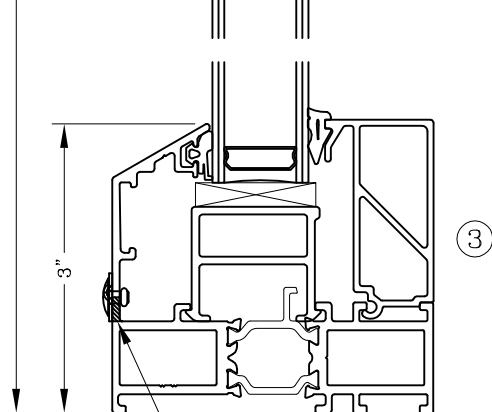


①



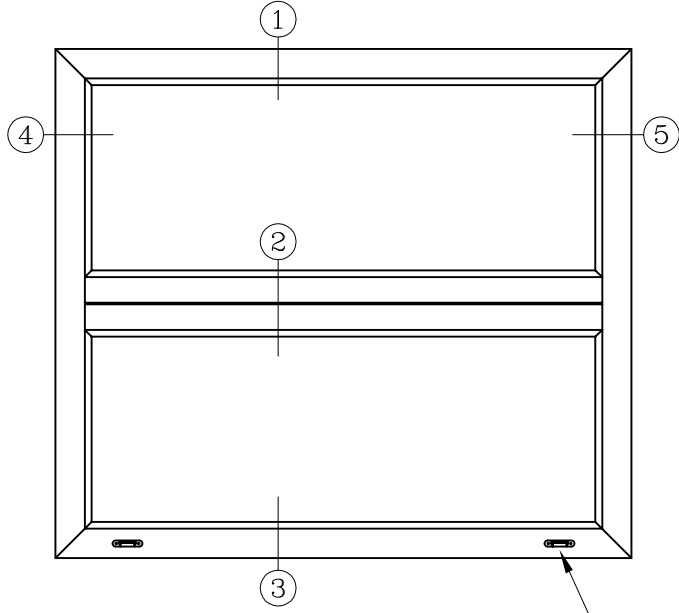
②

OPTIONAL
 TRUE
 MUNTIN



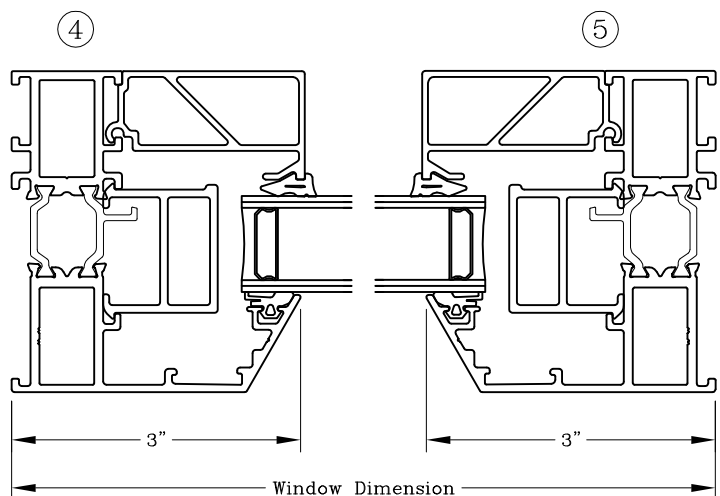
③

Weep Covers
 Required Without
 Subsills



ELEVATION

Weep Covers



④

⑤

3"

3"

Window Dimension

Casement Inswing - 3 3/8" Curtain Wall Insert Frame Concealed Vent (CV)

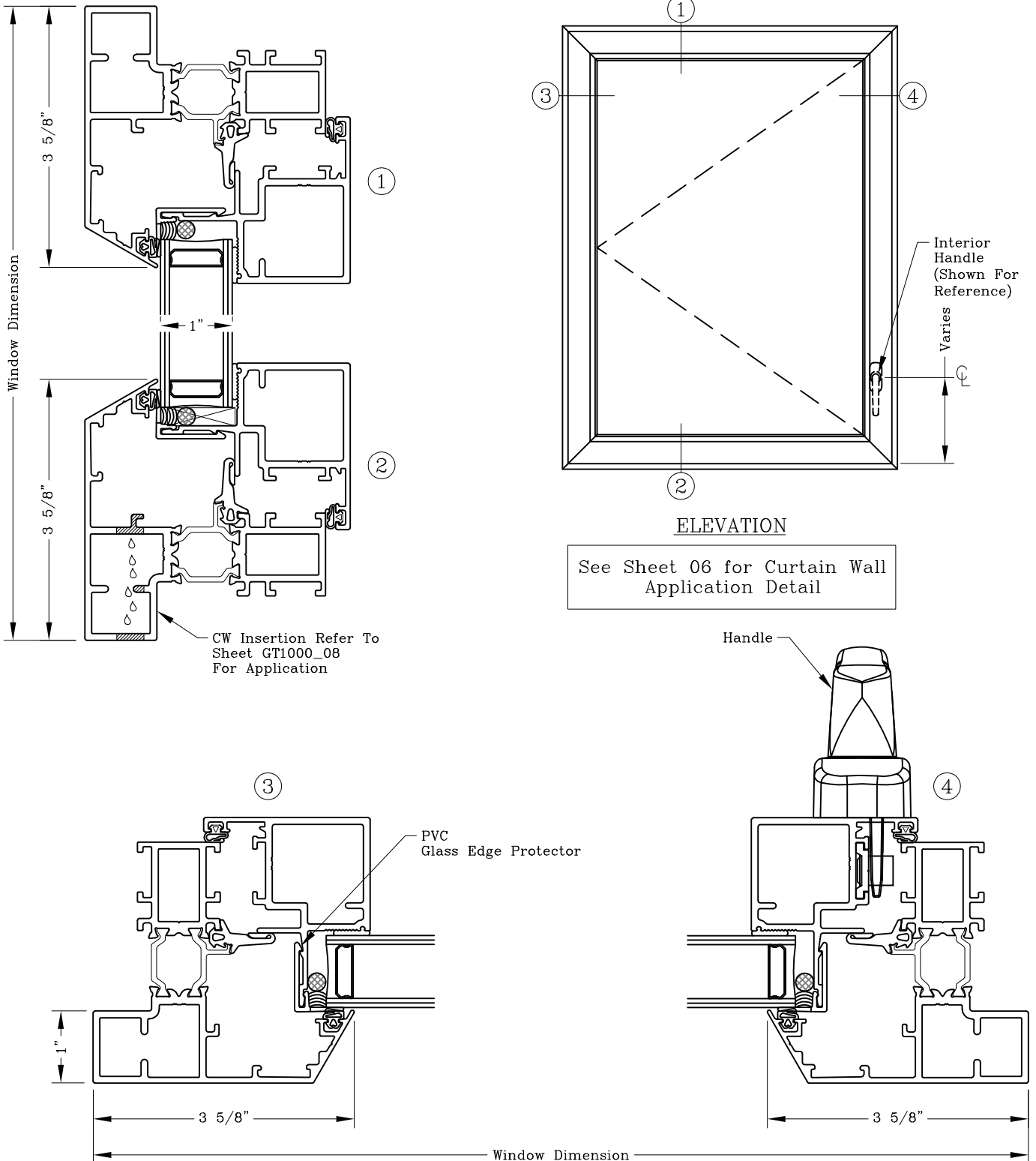


Series: GT1000

Manufacturing Code: GT100005

Drawing 1/2 Scale - For Custom Size Drawing Contact Graham

Note: Sealant Not Shown On Details. Refer To General Installation Instructions.



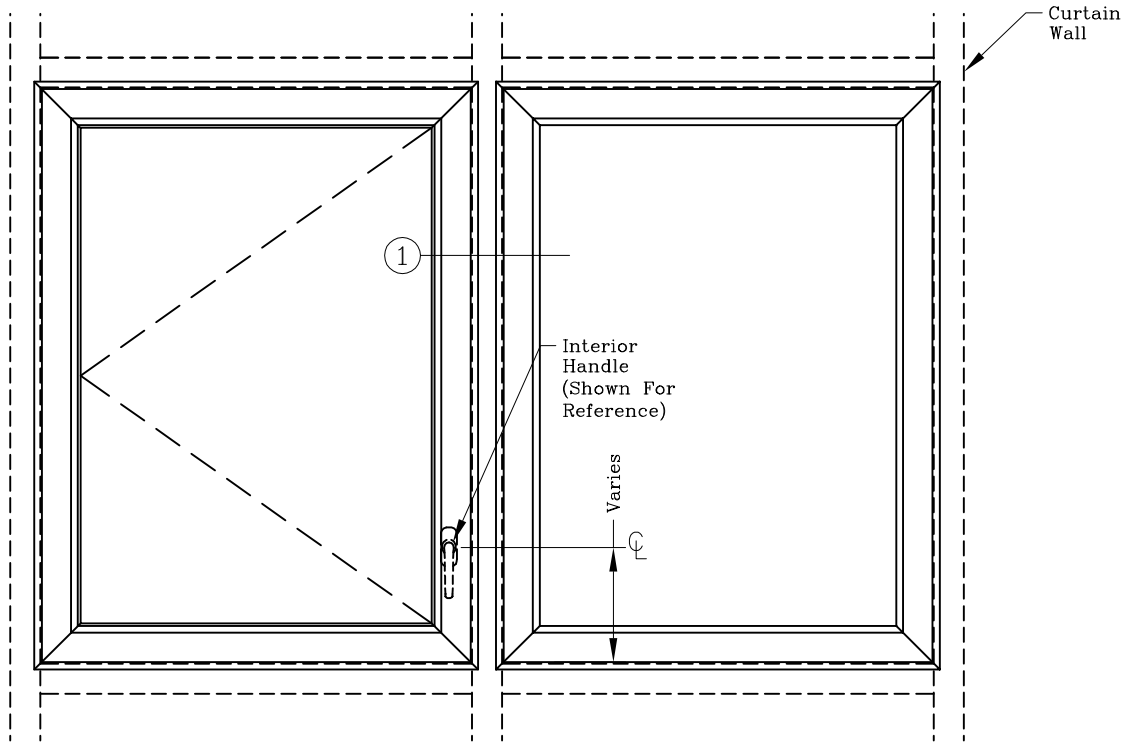
Concealed Vent (CV)/Fixed Curtain Wall Insert Frame Application Example



Series: GT1000 Manufacturing Code: GT100006

Drawing 1/2 Scale – For Custom Size Drawing Contact Graham

Note: Sealant Not Shown On Details. Refer To General Installation Instructions.



ELEVATION

