

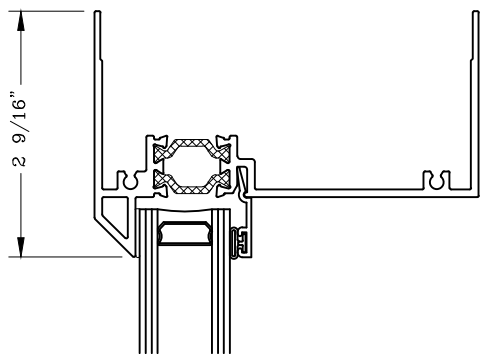
# Fixed Historic – 4” Frame Options



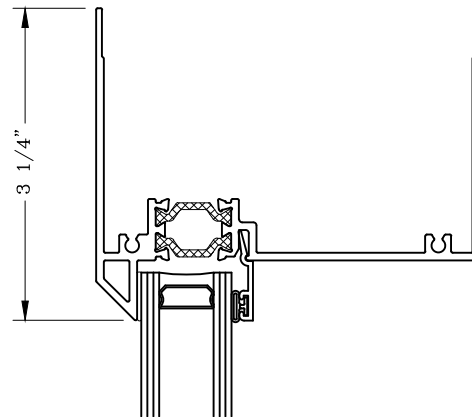
Series: GT1400H      Manufacturing Code: GT1404

Drawing 1/2 Scale – For Custom Size Drawing Contact Graham

Note: Sealant Not Shown On Details. Refer To General Installation Instructions.



Fixed Frame Historic  
Shown With Bead – Glazed Insulated Glass  
#220311



Fixed Frame Historic  
Shown With Bead – Glazed Insulated Glass  
#220312

Graham Architectural Products reserves the right to change, add, cancel, remove or otherwise modify the details illustrated without prior notice.

1551 Mt. Rose Avenue, York, Pennsylvania 17403-2909 800/755-6274 Fax: 800/366-5097

Web Site: [www.grahamwindows.com](http://www.grahamwindows.com)

0322 – GT14.04