

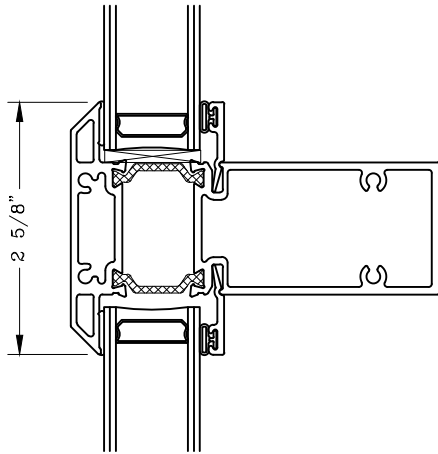
Fixed – Historic – 4” Frame Options



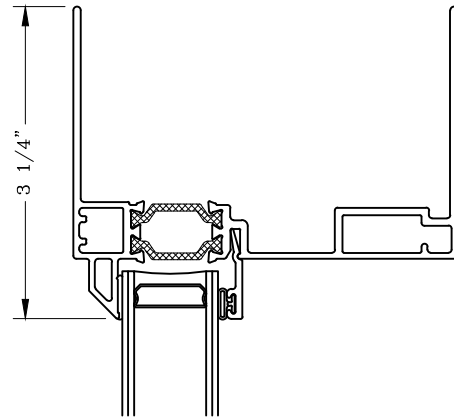
Series: GT1400HP Manufacturing Code: GT1406

Drawing 1/2 Scale – For Custom Size Drawing Contact Graham

Note: Sealant Not Shown On Details. Refer To General Installation Instructions.



Full Frame Depth Intermediate
#220616



Extended Leg Frame
#220618