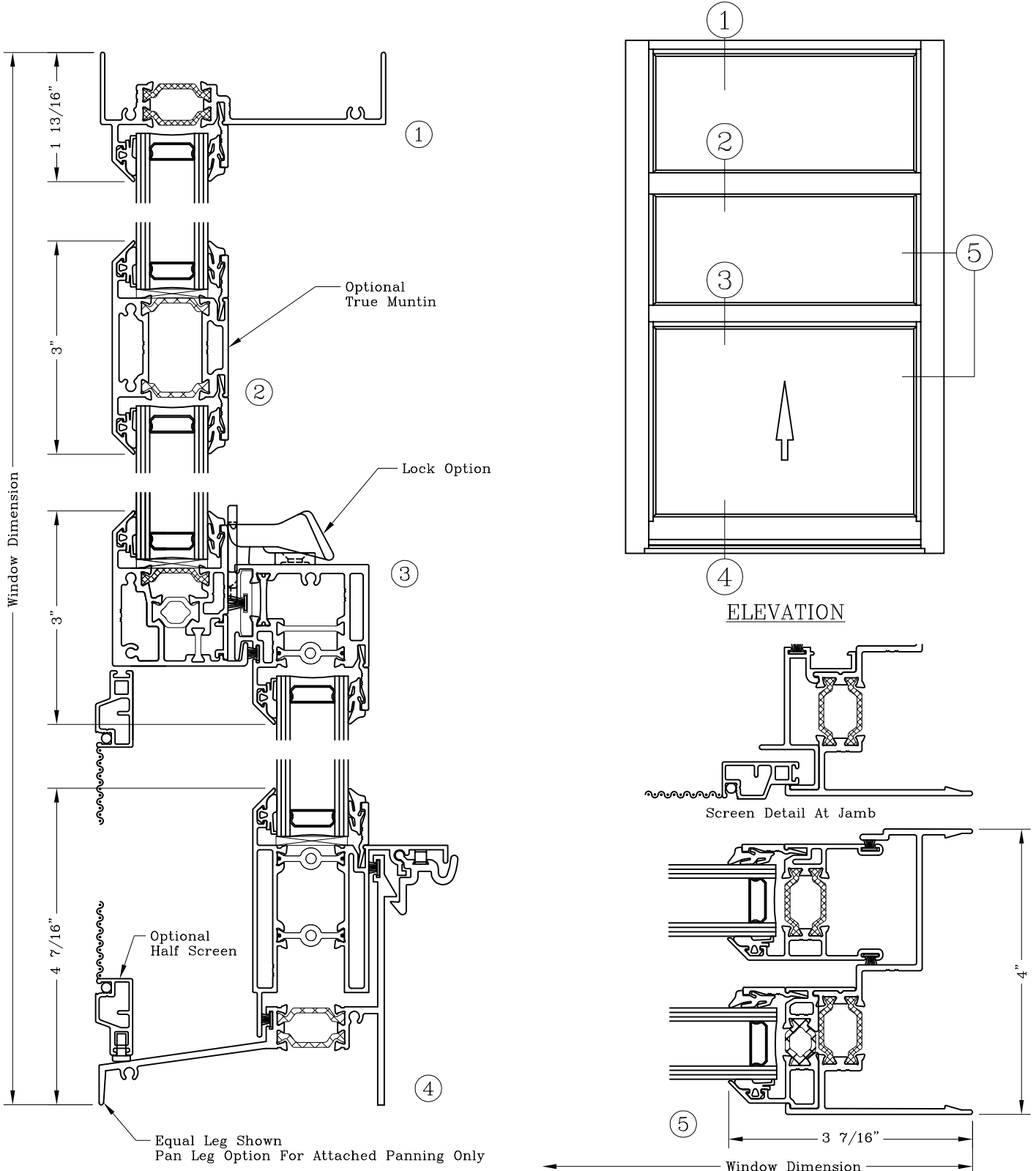


# Single Hung Historic – 4” Side Load



Series: GT2200 (Formerly: 2200 ) MFG Code: GT2201.4000

Drawn 1/2 Scale – For Custom Size Drawings Contact Graham  
 Note: Sealant not shown on details. Consult Technical Services for sealing procedures



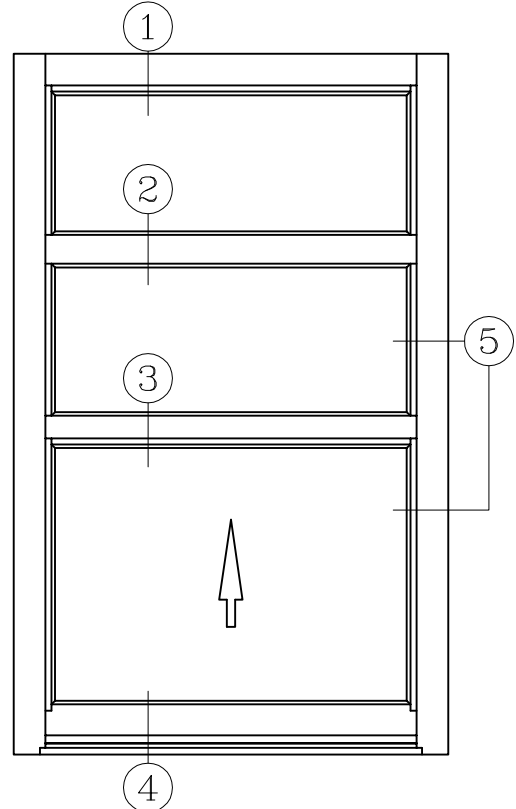
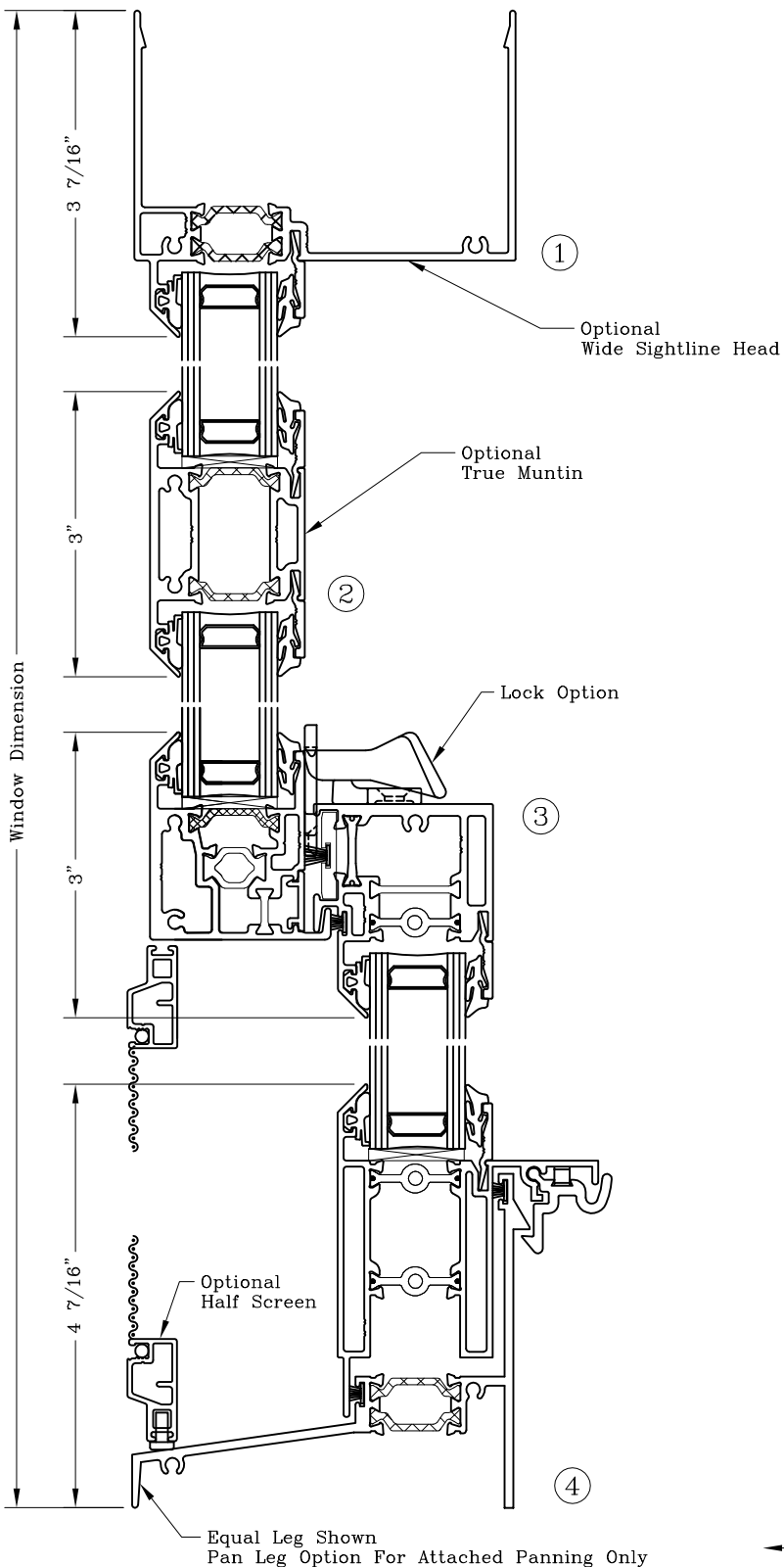
# Single Hung Historic – 4” Side Load



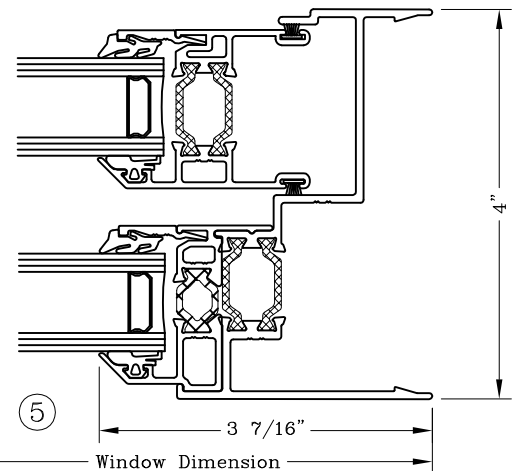
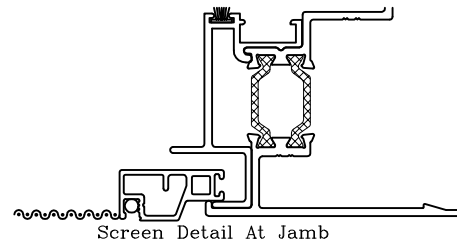
Series: GT2200 (Formerly: 2200 ) MFG Code: GT2202.4000

Drawn 1/2 Scale – For Custom Size Drawings Contact Graham

Note: Sealant not shown on details. Consult Technical Services for sealing procedures



ELEVATION



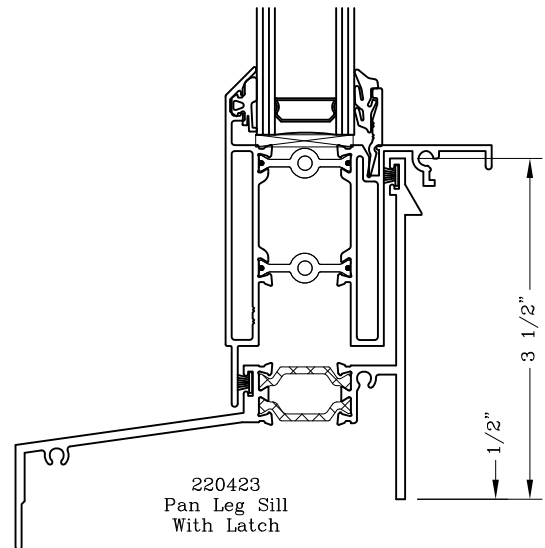
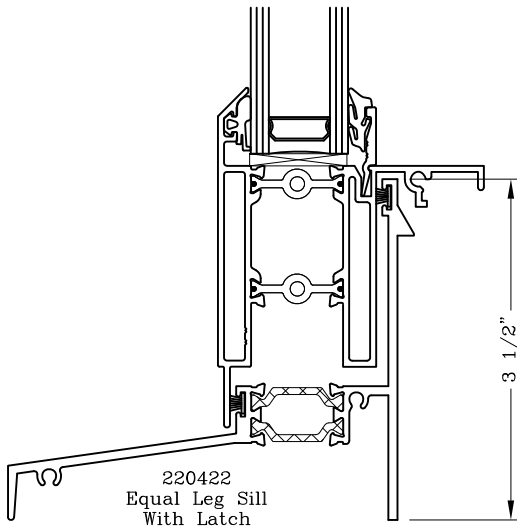
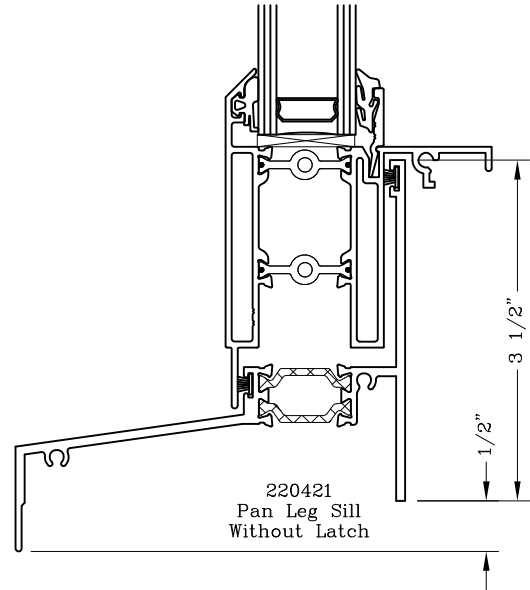
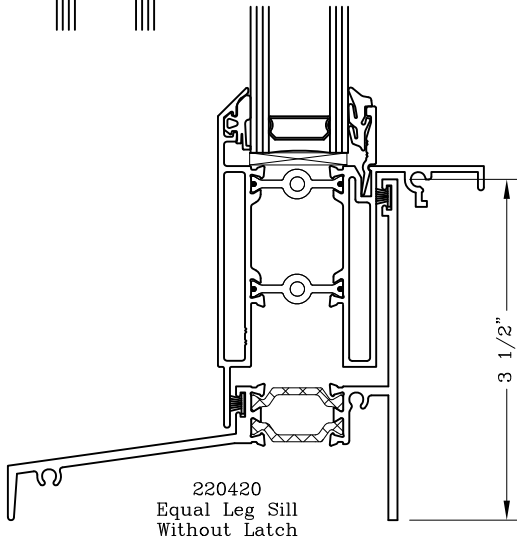
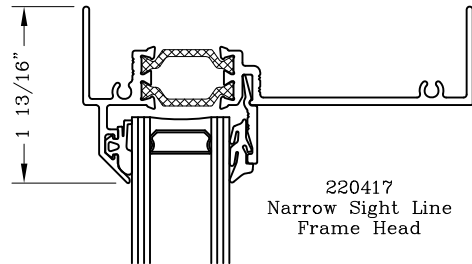
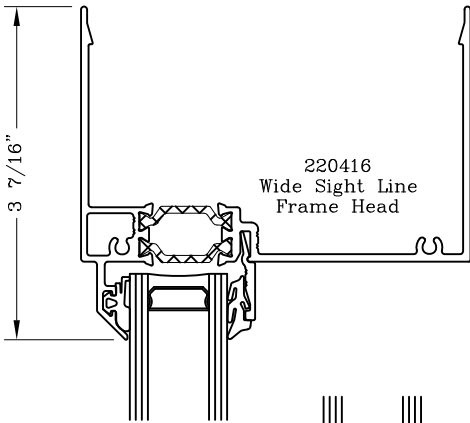
# Double Hung Historic — 4” Side Load



Series: GT2200 (Formerly: 2200 ) Manufacturing Code: GT2200.F0

Drawn  $\frac{1}{2}$  Scale — For Custom Size Drawings Contact Graham

Note: Sealant not shown on details. Consult Technical Services for sealing procedures



# Double Hung Historic - 4" Side Load



Series: GT2200 (Formerly: 2200 ) Manufacturing Code: GT2200.AC

Drawn  $\frac{1}{2}$  Scale - For Custom Size Drawings Contact Graham

Note: Sealant not shown on details. Consult Technical Services for sealing procedures

