

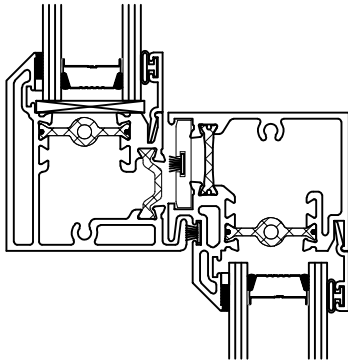
Double Hung Side Load - 4" Meeting Rail Options Optional Performance



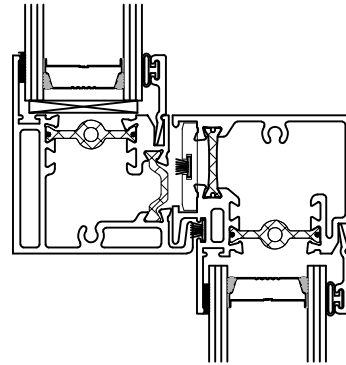
Series: GT2200 Manufacturing Code: GT2210

Drawing 1/2 Scale - For Custom Size Drawing Contact Graham

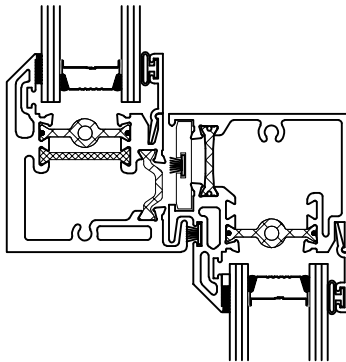
Note: Sealant Not Shown On Details. Refer To General Installation Instructions.



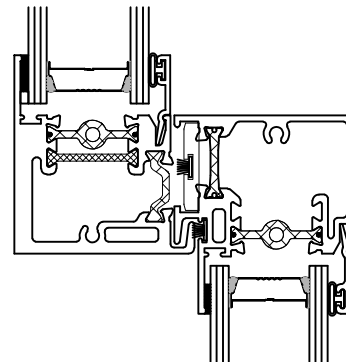
1" Historic
Glazing A.W. 40



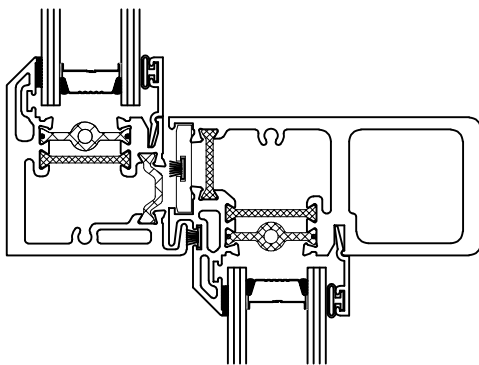
1 1/4" Flat
Glazing A.W. 40



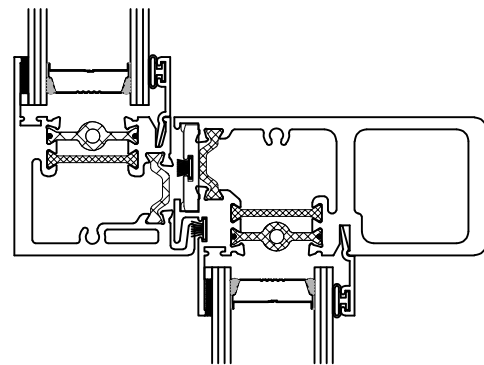
1" Historic
Glazing A.W. 50



1 1/4" Flat
Glazing A.W. 50



1" Historic
Glazing A.W. 90



1 1/4" Flat
Glazing A.W. 90

Graham Architectural Products reserves the right to change, add, cancel, remove or otherwise modify the details illustrated without prior notice.

1551 Mt. Rose Avenue, York, Pennsylvania 17403-2909 717.849.8100 Toll Free: 800/755-6274

0223 - GT22.10

Web Site: www.grahamwindows.com