

Single Hung Side Load - 4"

AW-PG50



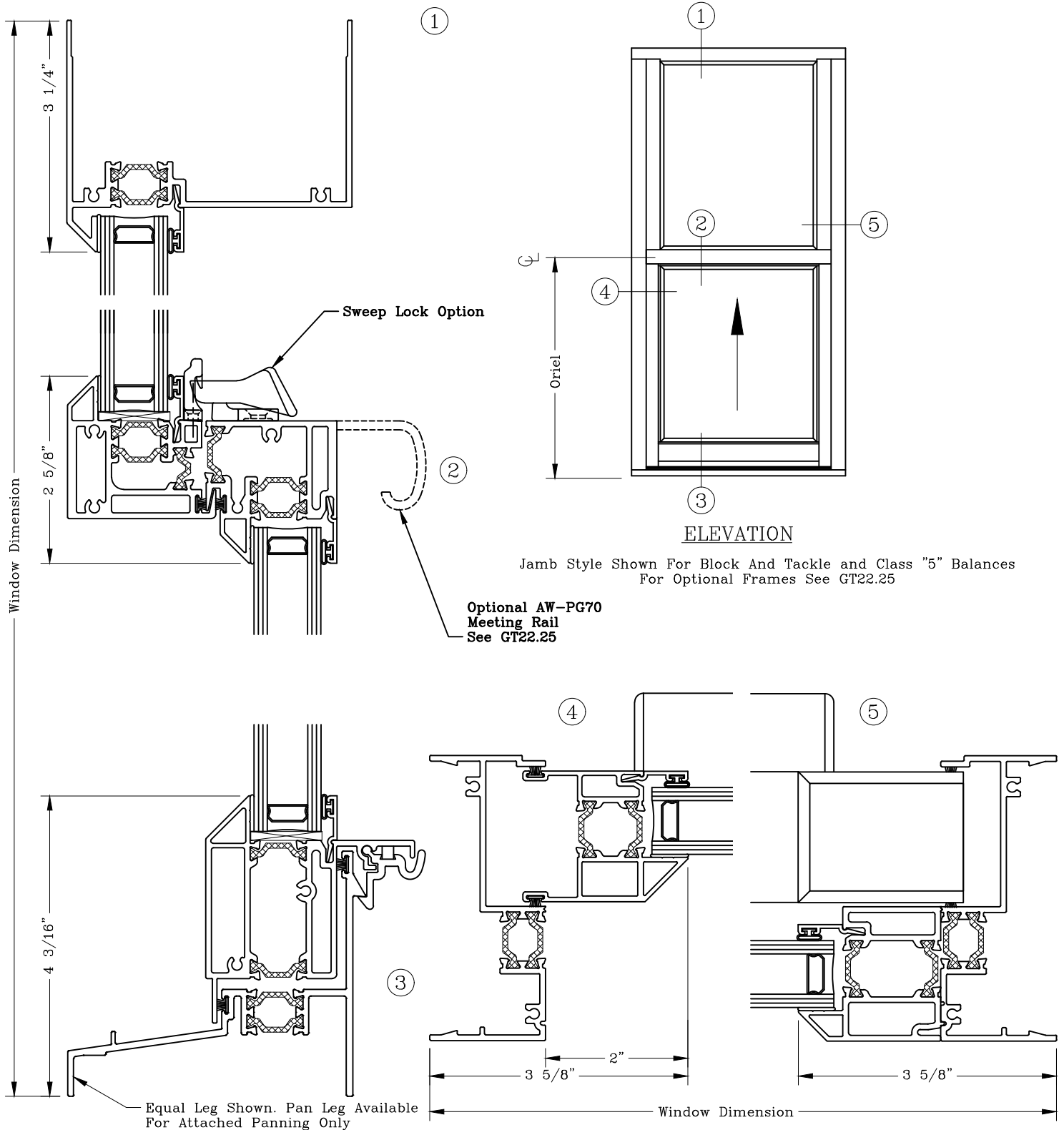
Historic National Park Version

Series: GT2200

Manufacturing Code: GT2221

Drawing 1/2 Scale - For Custom Size Drawing Contact Graham

Note: Sealant Not Shown On Details. Refer To General Installation Instructions.



ELEVATION
 Jamb Style Shown For Block And Tackle and Class "5" Balances
 For Optional Frames See GT22.25