

Single Hung Side Load Options - 4"

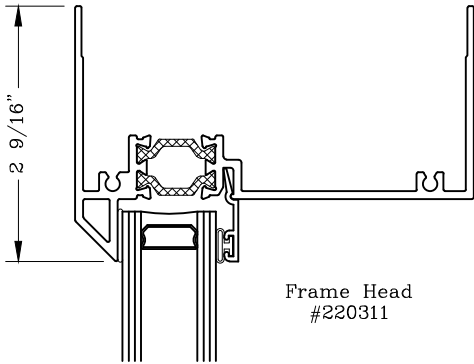


Series: GT2200

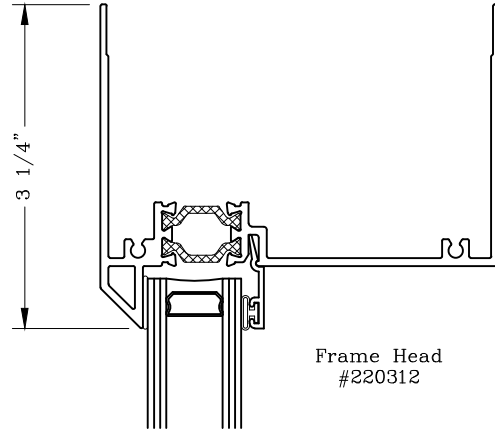
Manufacturing Code: GT2220

Drawing 1/2 Scale - For Custom Size Drawing Contact Graham

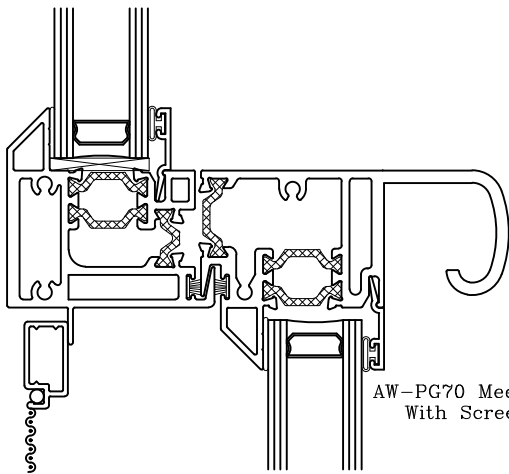
Note: Sealant Not Shown On Details. Refer To General Installation Instructions.



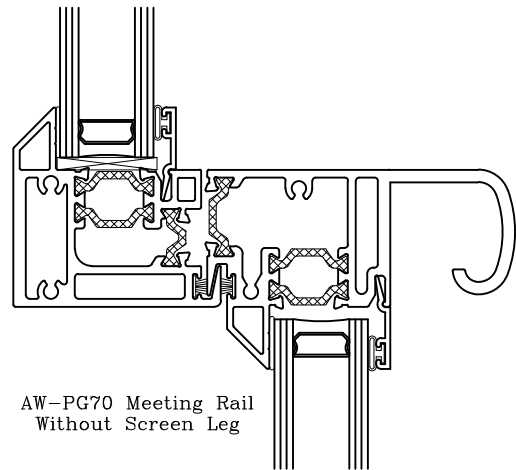
Frame Head
#220311



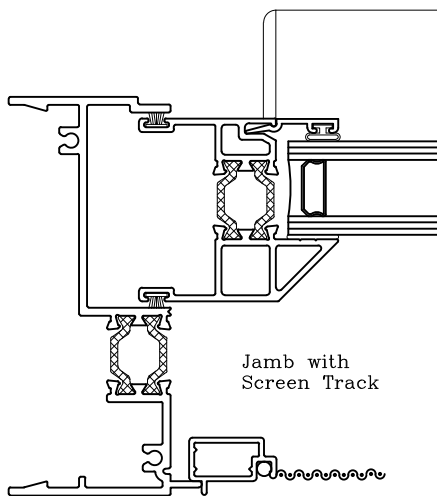
Frame Head
#220312



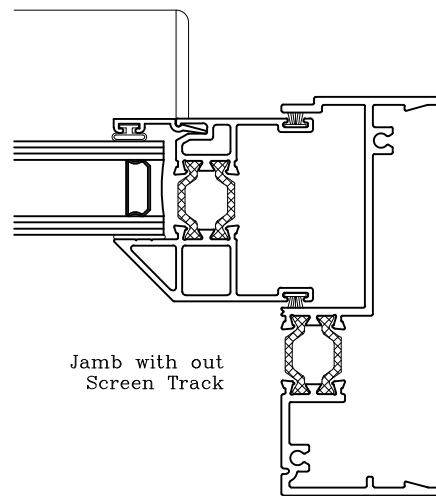
AW-PG70 Meeting Rail
With Screen Leg



AW-PG70 Meeting Rail
Without Screen Leg



Jamb with
Screen Track



Jamb with out
Screen Track

Graham Architectural Products reserves the right to change, add, cancel, remove or otherwise modify the details illustrated without prior notice.

1551 Mt. Rose Avenue, York, Pennsylvania 17403-2909 717.849.8100 Toll Free: 800/755-6274

0224 - GT22.25

Web Site: www.grahamwindows.com