

Fixed Window – 4 1/4” Human Impact Window

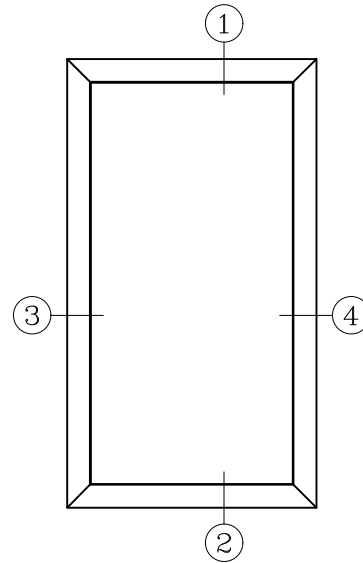
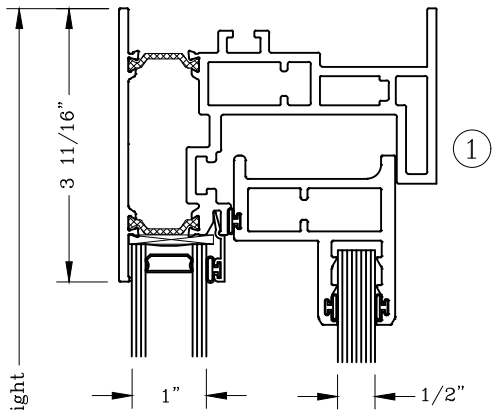


Series: GT6300

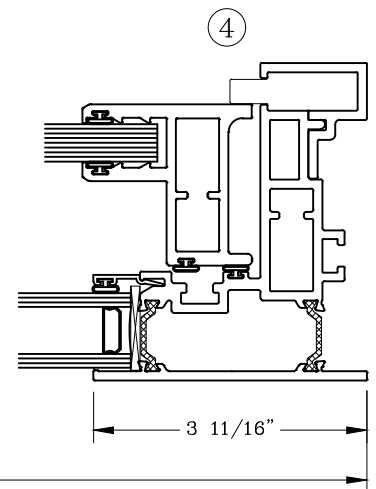
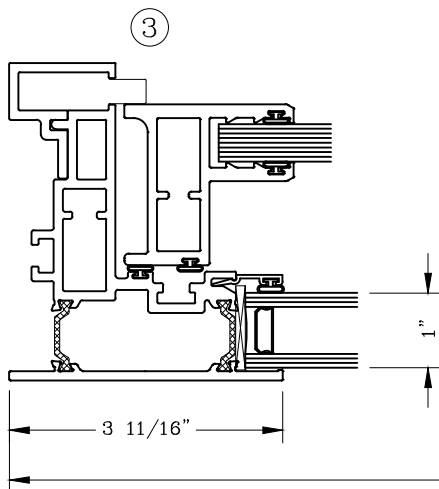
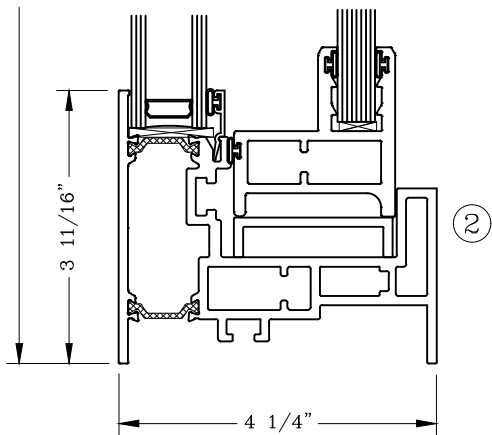
Manufacturing Code: GT6301

Drawing 1/2 Scale – For Custom Size Drawing Contact Graham

Note: Sealant Not Shown On Details. Refer To General Installation Instructions.



Elevations



Window Width

Graham Architectural Products reserves the right to change, add, cancel, remove or otherwise modify the details illustrated without prior notice.

1551 Mt. Rose Avenue, York, Pennsylvania 17403-2909 717.849.8100 Toll Free: 800/755-6274

0226 – GT63.01

Web Site: www.grahamwindows.com

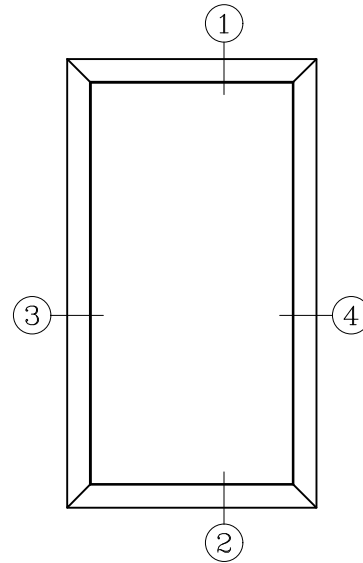
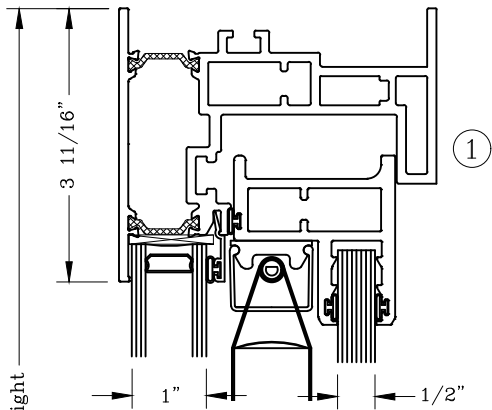
Fixed Window – 4 1/4”
 Human Impact Window
 1” Blind Option



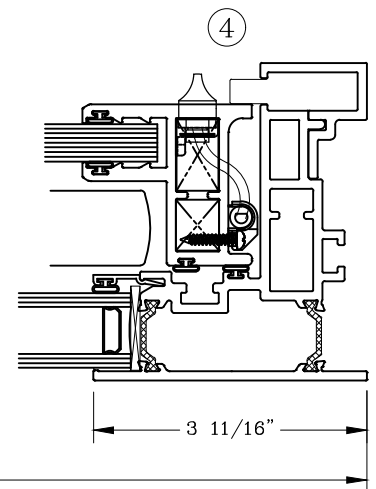
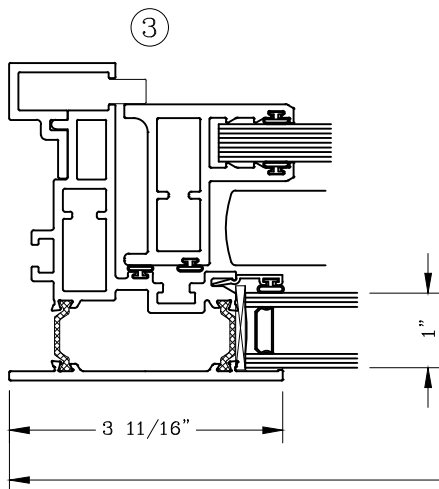
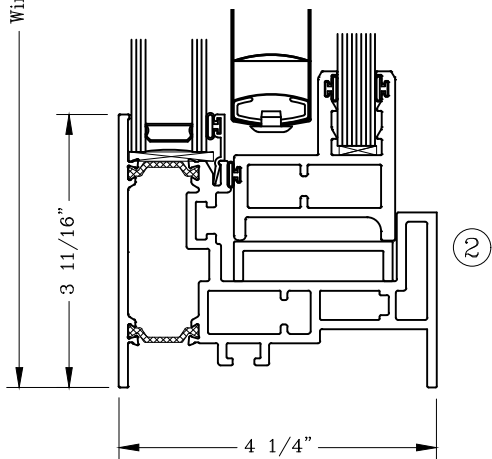
Series: GT6300 Manufacturing Code: GT6302

Drawing 1/2 Scale – For Custom Size Drawing Contact Graham

Note: Sealant Not Shown On Details. Refer To General Installation Instructions.



Elevations



Window Width

Graham Architectural Products reserves the right to change, add, cancel, remove or otherwise modify the details illustrated without prior notice.

1551 Mt. Rose Avenue, York, Pennsylvania 17403-2909 717.849.8100 Toll Free: 800/755-6274

0226 – GT63.02

Web Site: www.grahamwindows.com

Fixed/Fixed Window - 4 1/4" Human Impact Window

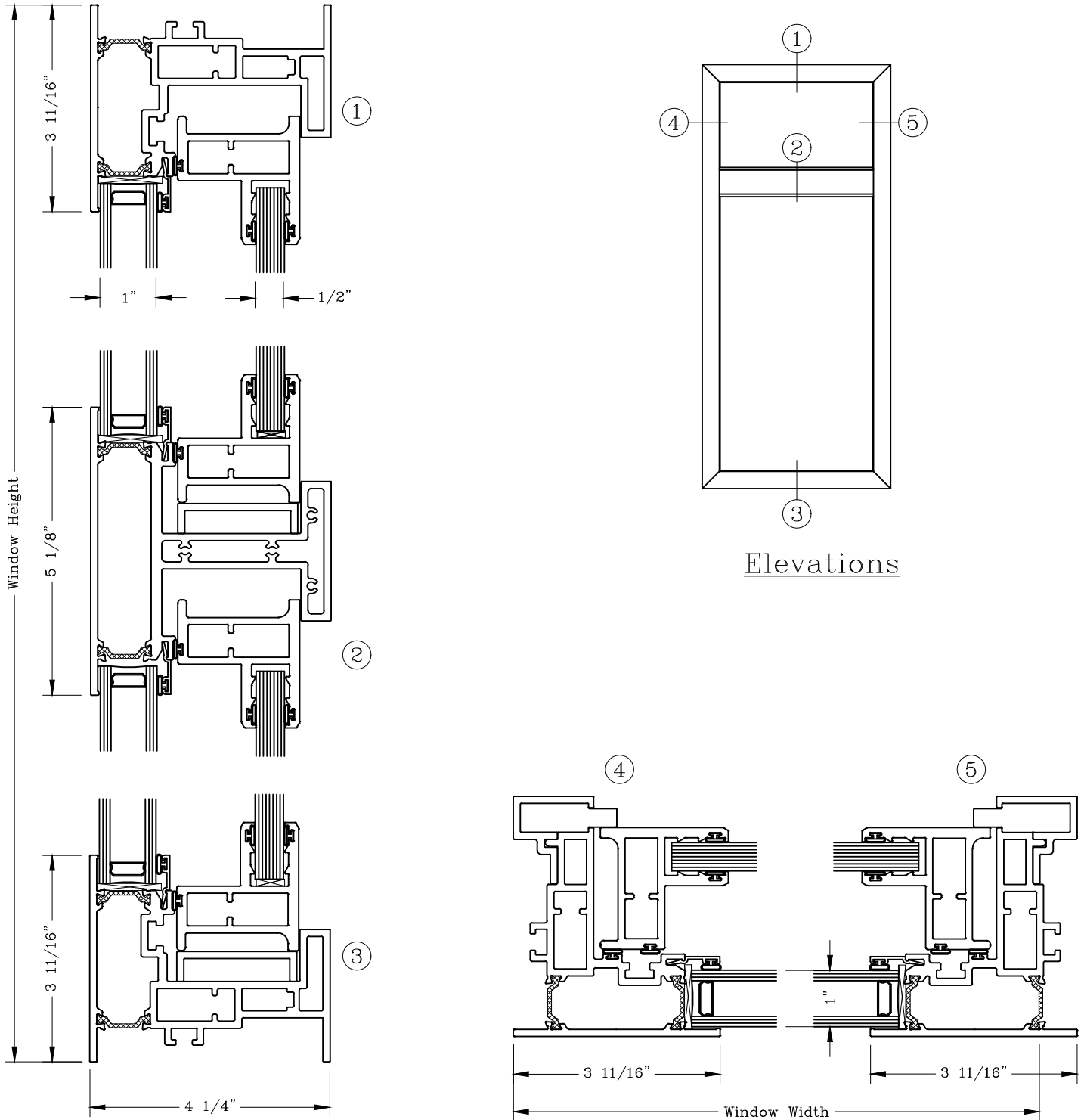


Series: GT6300

Manufacturing Code: GT6303

Drawing 1/2 Scale - For Custom Size Drawing Contact Graham

Note: Sealant Not Shown On Details. Refer To General Installation Instructions.



Graham Architectural Products reserves the right to change, add, cancel, remove or otherwise modify the details illustrated without prior notice.

1551 Mt. Rose Avenue, York, Pennsylvania 17403-2909 717.849.8100 Toll Free: 800/755-6274

0226 - GT63.03

Web Site: www.grahamwindows.com

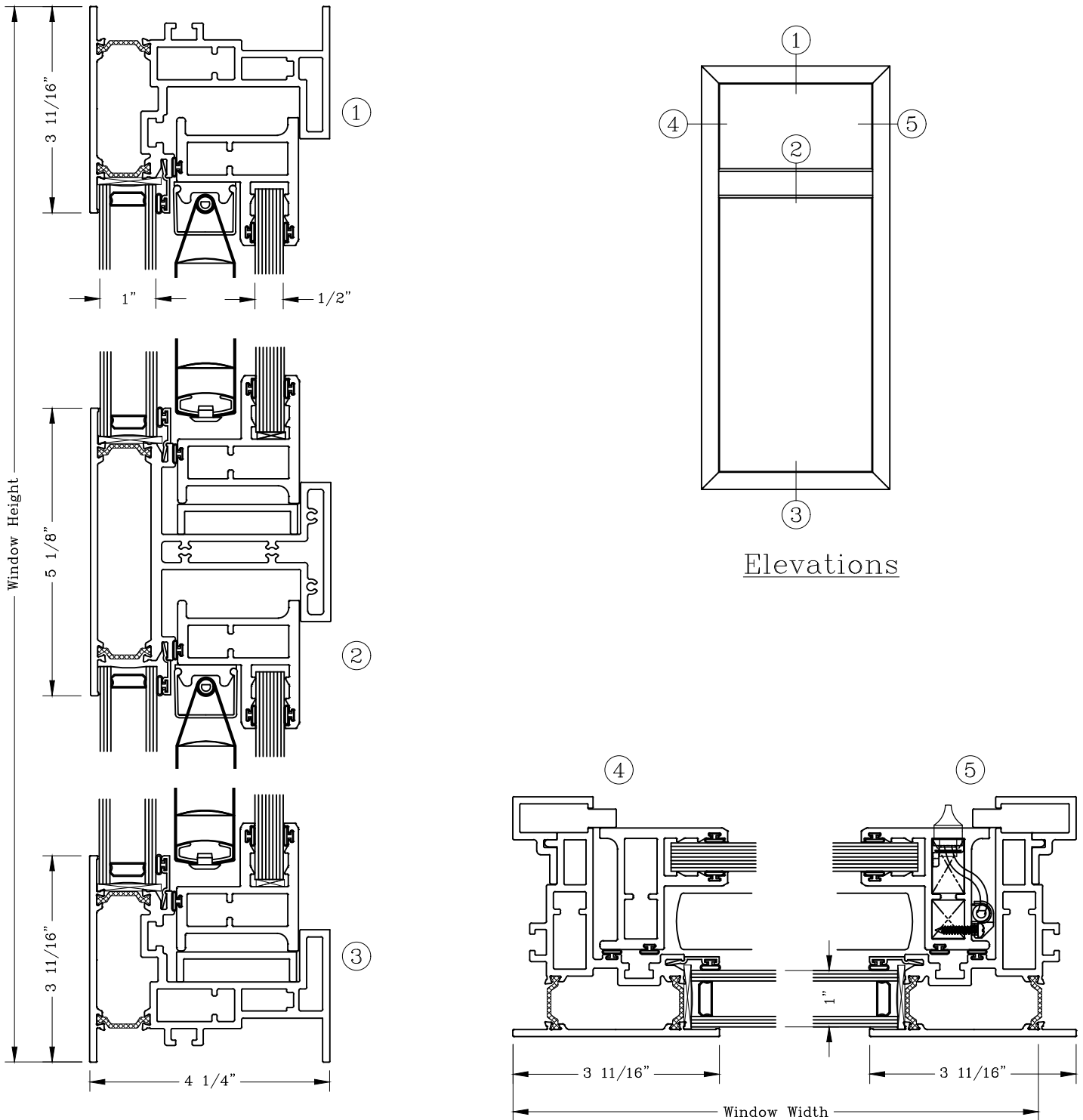
Fixed/Fixed Window - 4 1/4"
 Human Impact Window
 1" Blind Option



Series: GT6300 Manufacturing Code: GT6304

Drawing 1/2 Scale - For Custom Size Drawing Contact Graham

Note: Sealant Not Shown On Details. Refer To General Installation Instructions.



Graham Architectural Products reserves the right to change, add, cancel, remove or otherwise modify the details illustrated without prior notice.

1551 Mt. Rose Avenue, York, Pennsylvania 17403-2909 717.849.8100 Toll Free: 800/755-6274

0226 - GT63.04

Web Site: www.grahamwindows.com

Installation Anchoring Human Impact Window

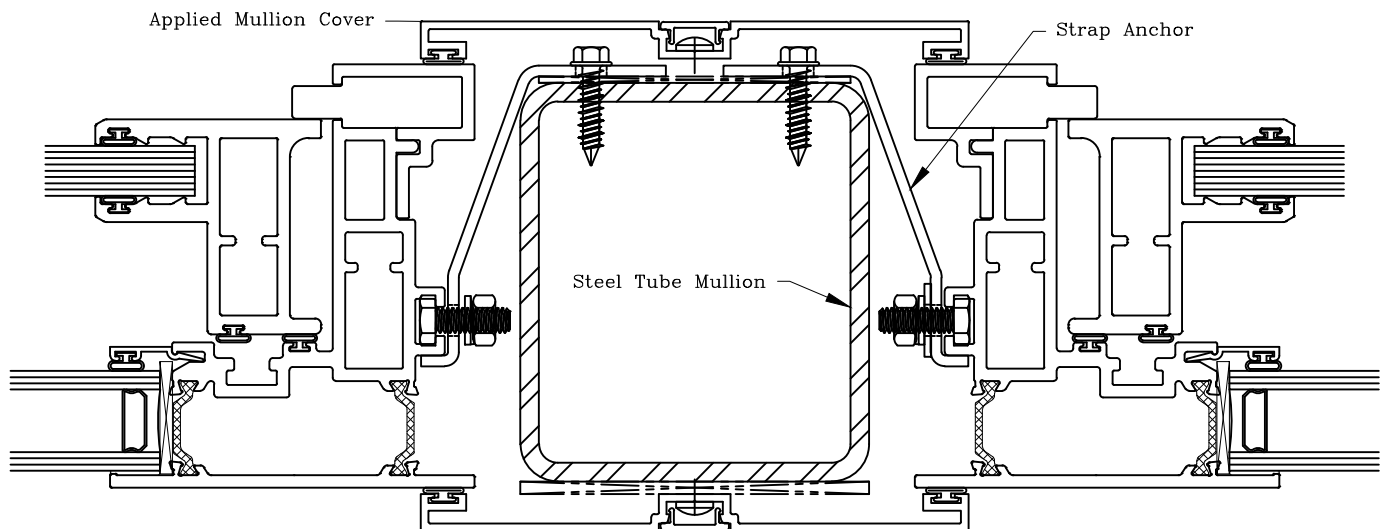
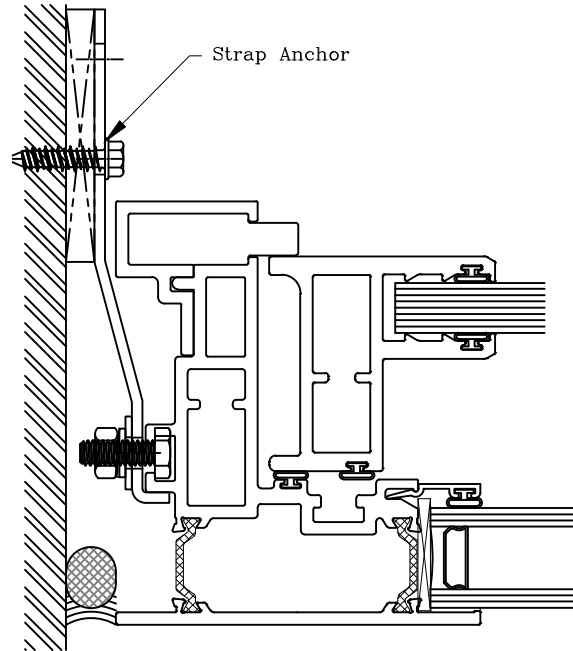


Series: GT6300

Manufacturing Code:

Drawing 1/2 Scale – For Custom Size Drawing Contact Graham

Note: Sealant Not Shown On Details. Refer To General Installation Instructions.



Details Shown Are For Concept Proposal Only
Contact Graham Architectural Products For Job Specific Installation
Anchoring Proposal Details Based On Building Conditions

Graham Architectural Products reserves the right to change, add, cancel, remove or otherwise modify the details illustrated without prior notice.

1551 Mt. Rose Avenue, York, Pennsylvania 17403-2909 717.849.8100 Toll Free: 800/755-6274

Web Site: www.grahamwindows.com

0223 – GT63.10