

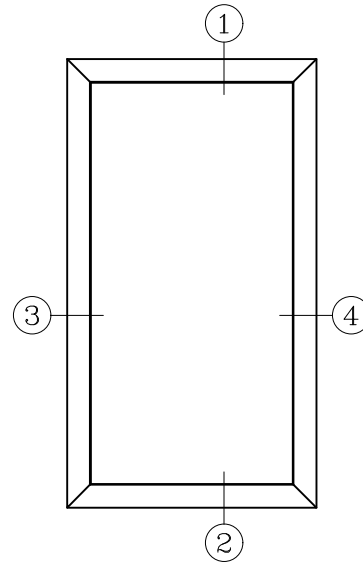
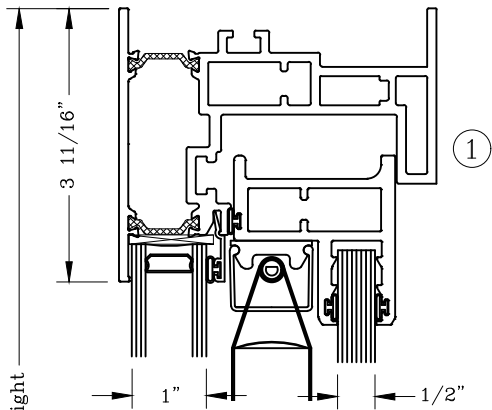
Fixed Window – 4 1/4”
 Human Impact Window
 1” Blind Option



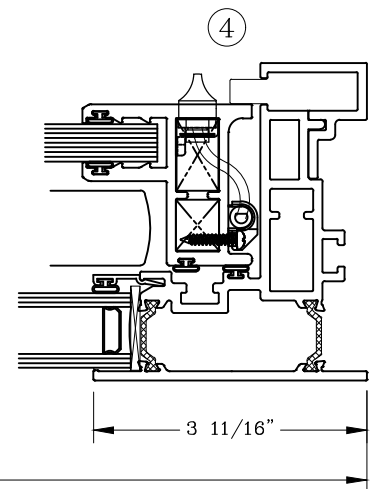
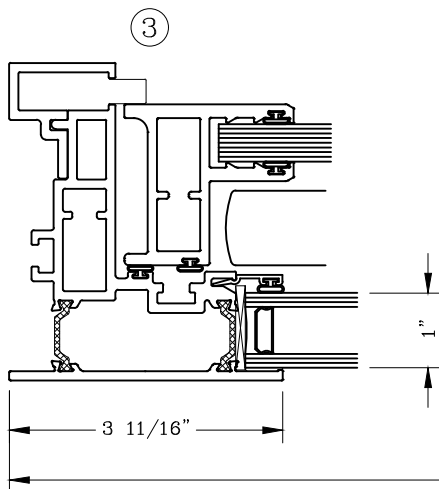
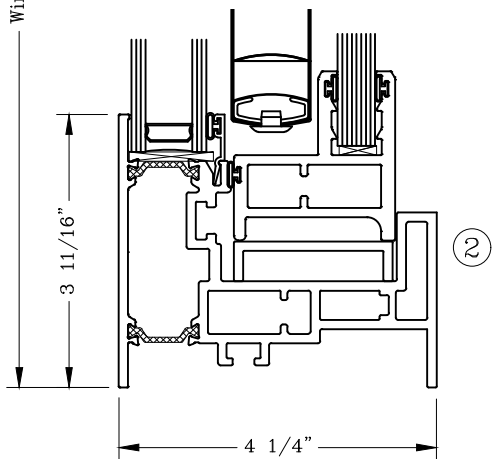
Series: GT6300 Manufacturing Code: GT6302

Drawing 1/2 Scale – For Custom Size Drawing Contact Graham

Note: Sealant Not Shown On Details. Refer To General Installation Instructions.



Elevations



Window Width