

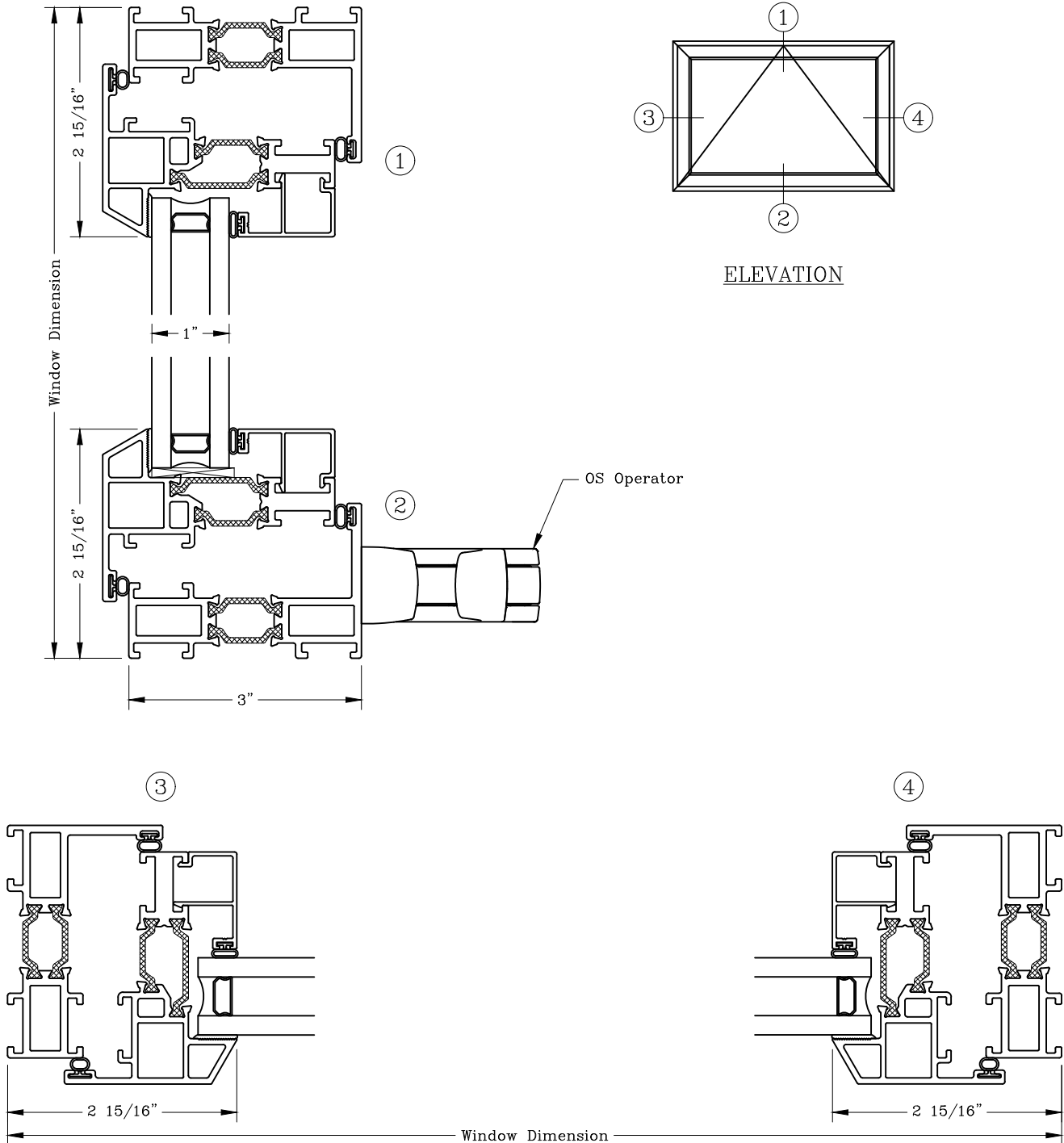
Projected – 3”  
 Equal Sightline  
 Outswing Awning



Series: GT6700 Manufacturing Code: GT6701B

Drawing 1/2 Scale – For Custom Size Drawing Contact Graham

Note: Sealant Not Shown On Details. Refer To General Installation Instructions.



Note: Dashed Lines Represent Inswing Vented Units Solid Lines Represent Outswing Vented Units; Lines Converge At Hinge Side Of Vent

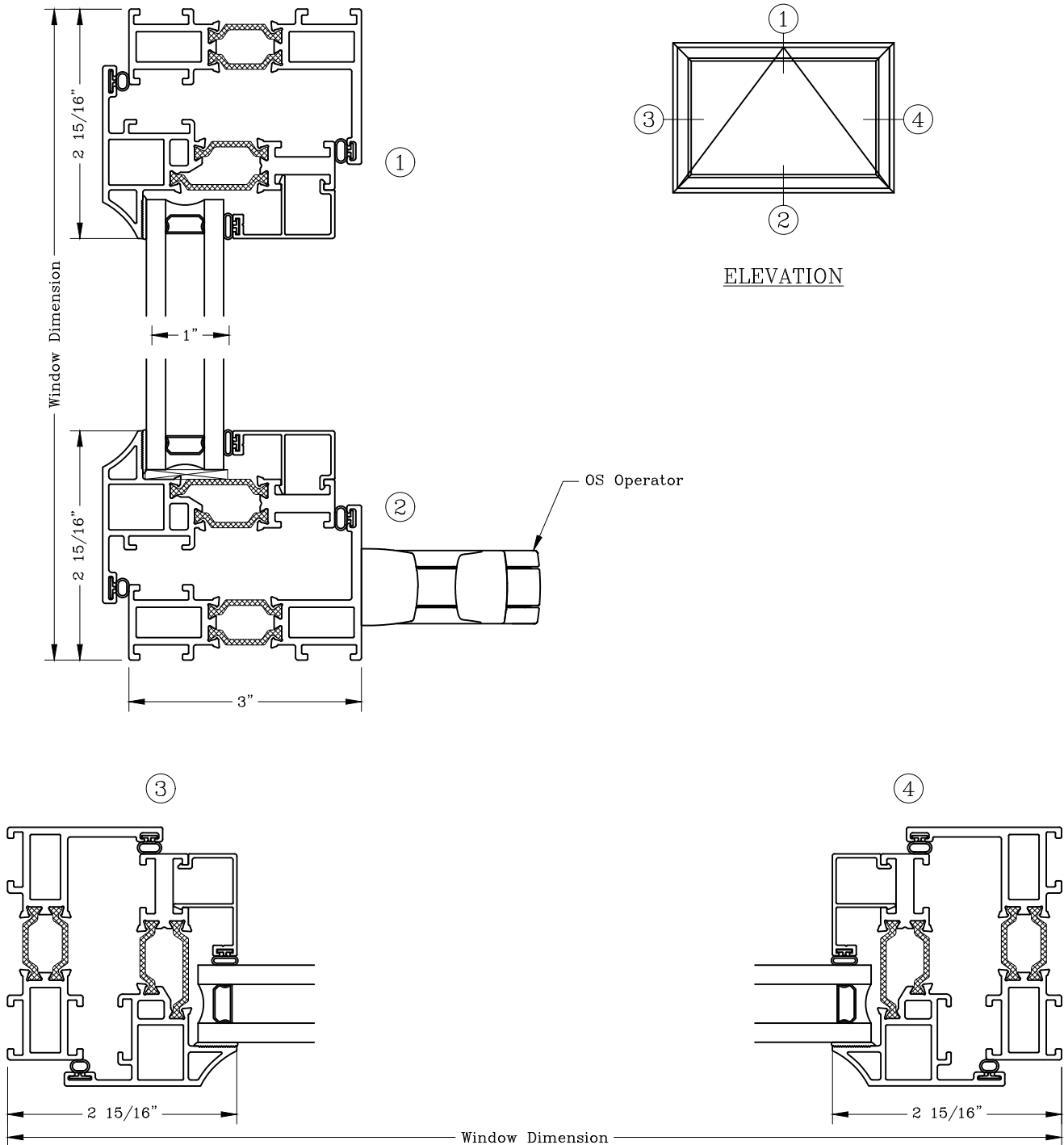
Projected – 3”  
 Equal Sightline  
 Outswing Awning



Series: GT6700 Manufacturing Code: GT6701C

Drawing 1/2 Scale – For Custom Size Drawing Contact Graham

Note: Sealant Not Shown On Details. Refer To General Installation Instructions.



Note: Dashed Lines Represent Inswing Vented Units Solid Lines Represent  
 Outswing Vented Units; Lines Converge At Hinge Side Of Vent

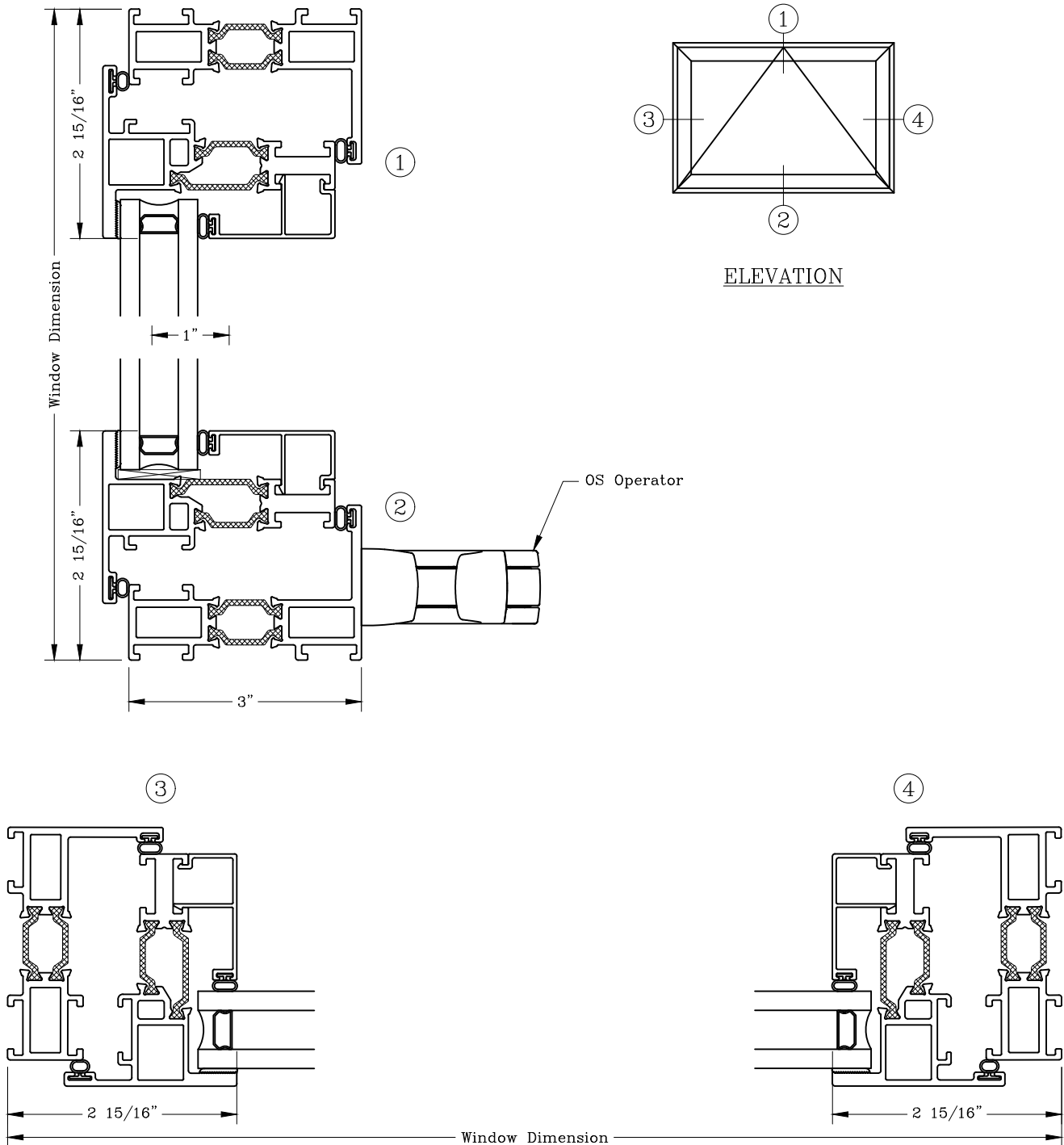
Projected – 3”  
 Equal Sightline  
 Outswing Awning



Series: GT6700 Manufacturing Code: GT6701F

Drawing 1/2 Scale – For Custom Size Drawing Contact Graham

Note: Sealant Not Shown On Details. Refer To General Installation Instructions.



Note: Dashed Lines Represent Inswing Vented Units Solid Lines Represent Outswing Vented Units; Lines Converge At Hinge Side Of Vent

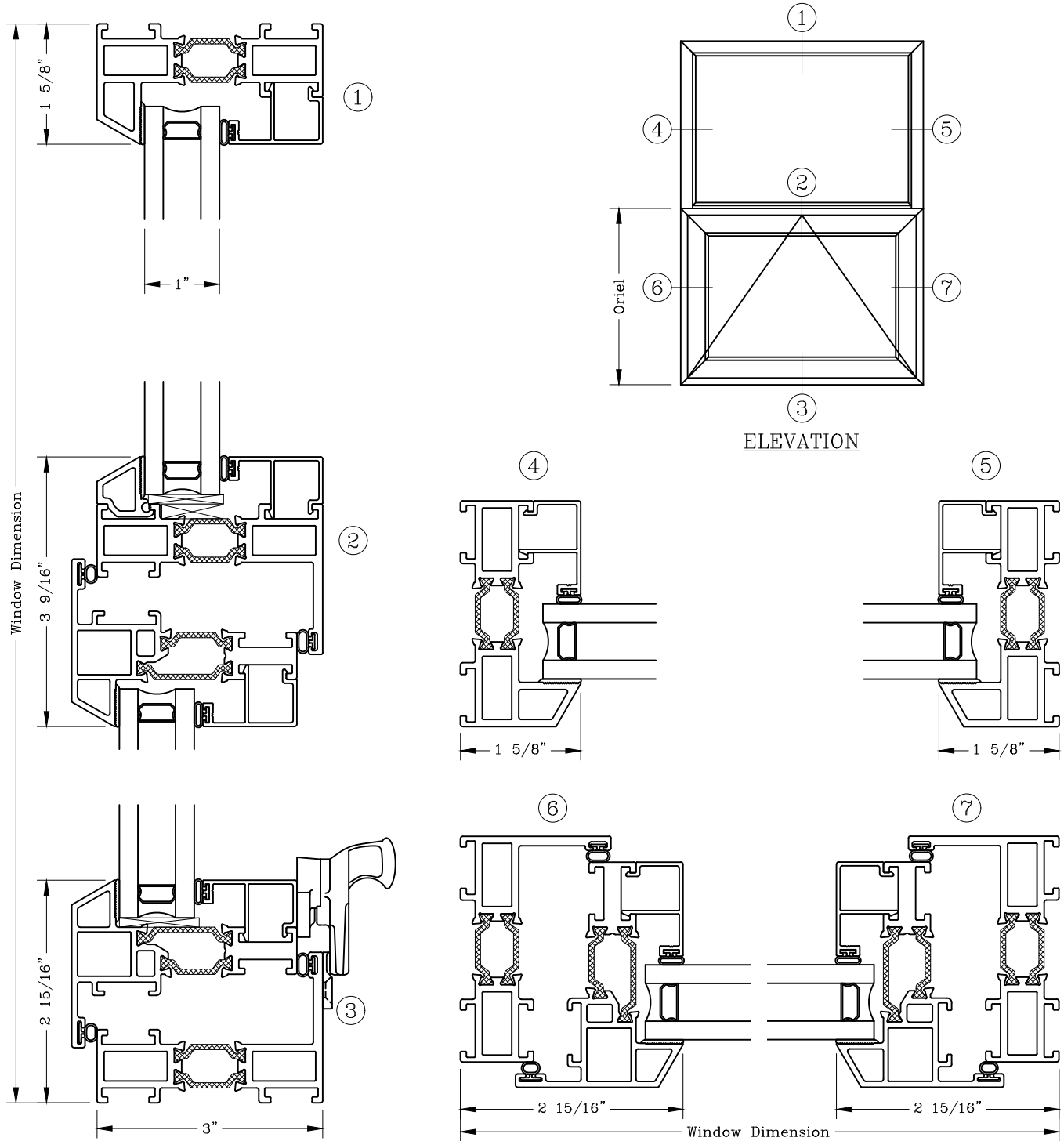
Projected – 3”  
 Narrow Sightline  
 Fixed Over Outswing



Series: GT6700 Manufacturing Code: GT6702B

Drawing 1/2 Scale – For Custom Size Drawing Contact Graham

Note: Sealant Not Shown On Details. Refer To General Installation Instructions.



Note: Dashed Lines Represent Inswing Vented Units Solid Lines Represent Outswing Vented Units; Lines Converge At Hinge Side Of Vent

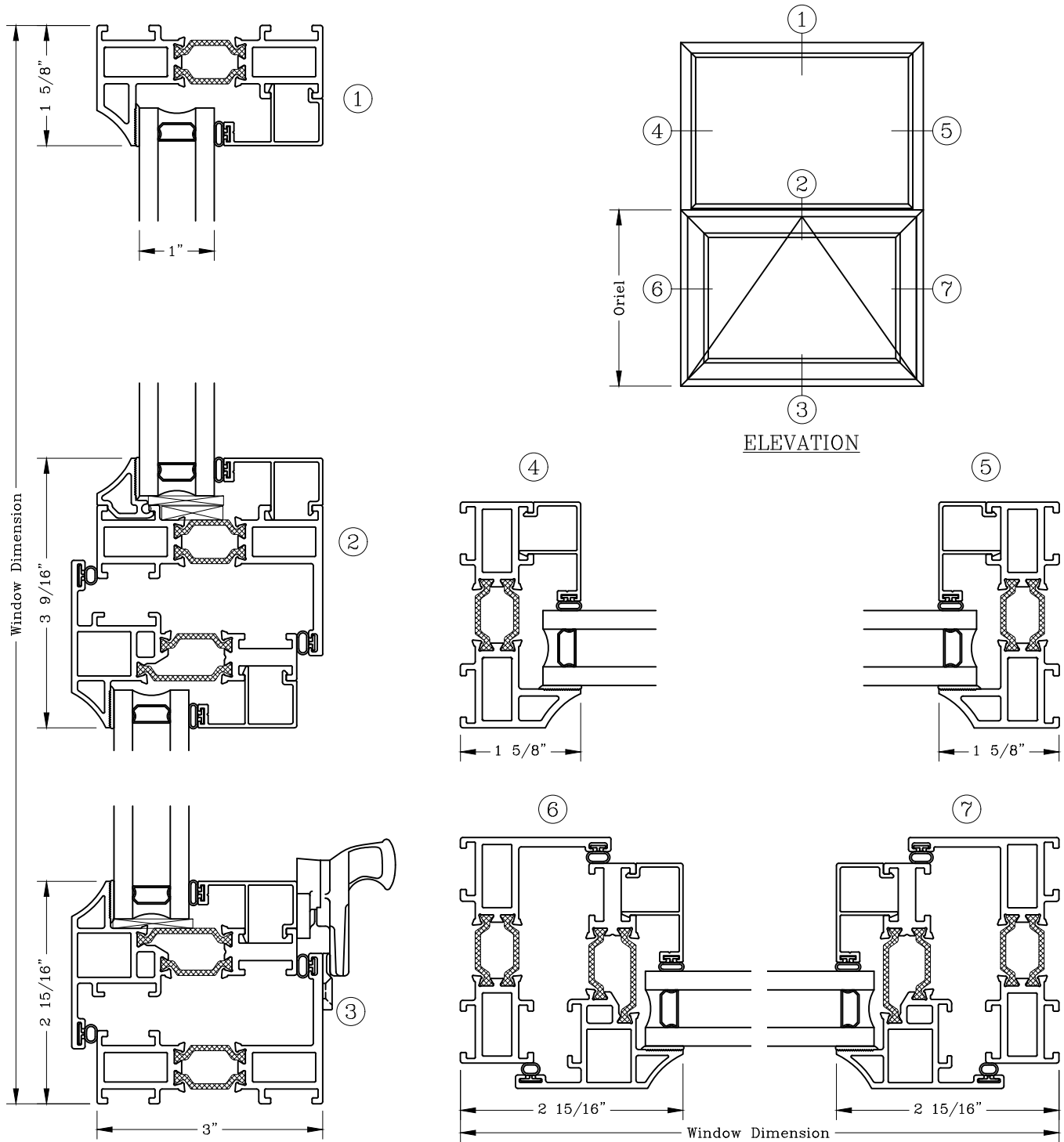
Projected – 3”  
 Narrow Sightline  
 Fixed Over Outswing



Series: GT6700 Manufacturing Code: GT6702C

Drawing 1/2 Scale – For Custom Size Drawing Contact Graham

Note: Sealant Not Shown On Details. Refer To General Installation Instructions.



Note: Dashed Lines Represent Inswing Vented Units Solid Lines Represent Outswing Vented Units; Lines Converge At Hinge Side Of Vent

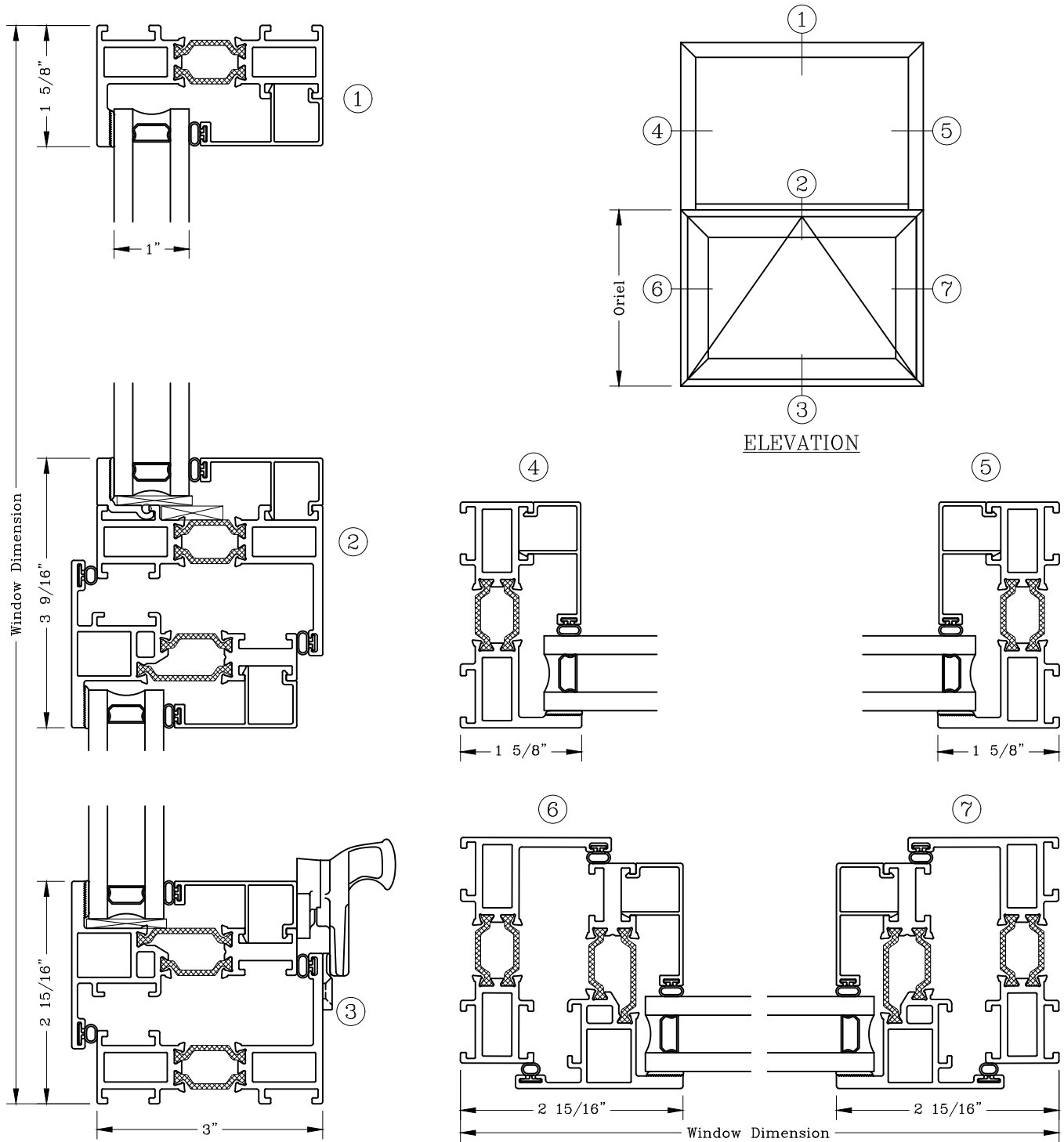
Projected – 3”  
 Narrow Sightline  
 Fixed Over Outswing



Series: GT6700 Manufacturing Code: GT6702F

Drawing 1/2 Scale – For Custom Size Drawing Contact Graham

Note: Sealant Not Shown On Details. Refer To General Installation Instructions.



Note: Dashed Lines Represent Inswing Vented Units Solid Lines Represent Outswing Vented Units; Lines Converge At Hinge Side Of Vent

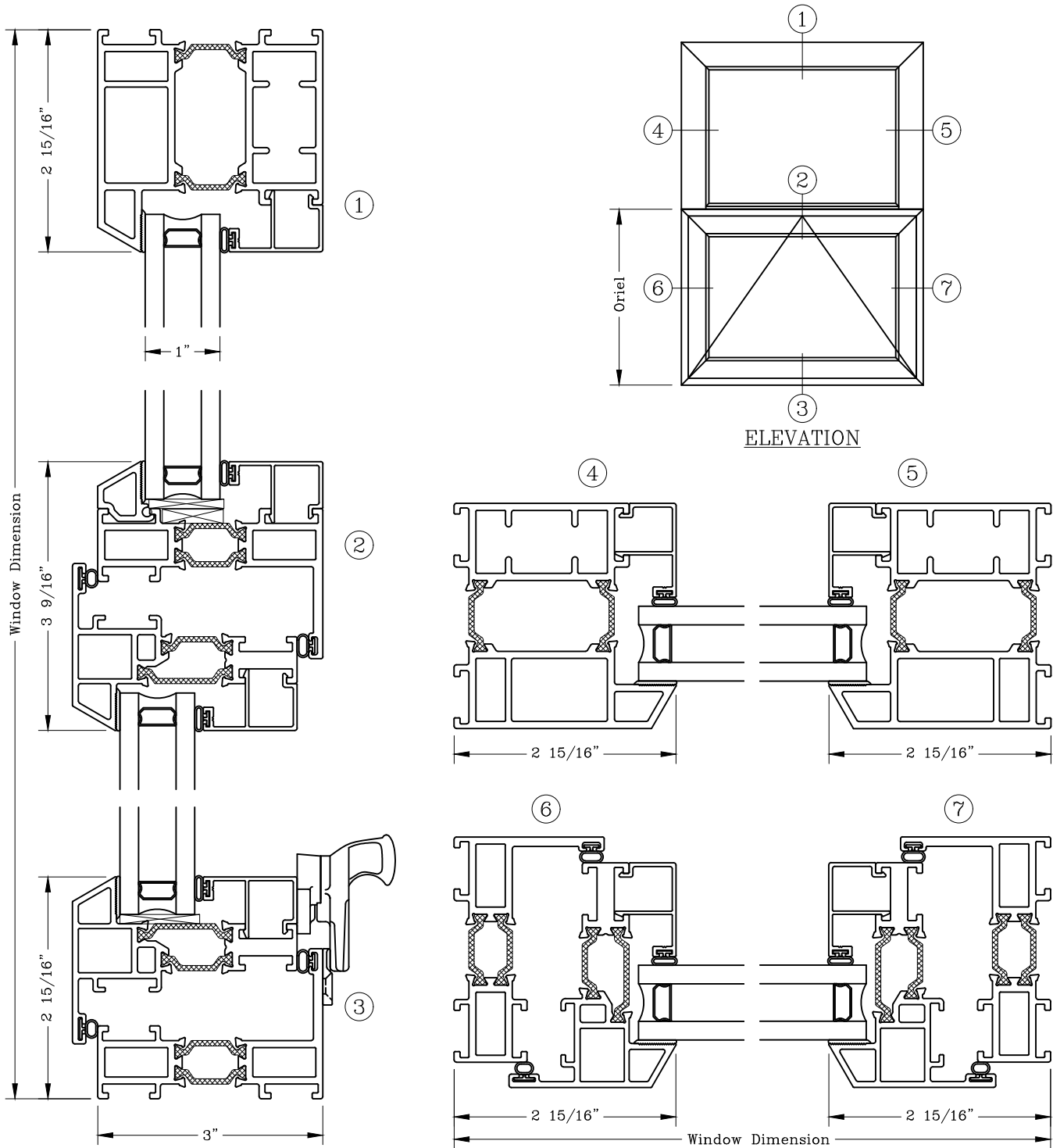
Projected – 3”  
 Equal Sightline  
 Fixed Over Outswing



Series: GT6700      Manufacturing Code: GT6703B

Drawing 1/2 Scale – For Custom Size Drawing Contact Graham

Note: Sealant Not Shown On Details. Refer To General Installation Instructions.



Note: Dashed Lines Represent Inswing Vented Units Solid Lines Represent  
 Outswing Vented Units; Lines Converge At Hinge Side Of Vent

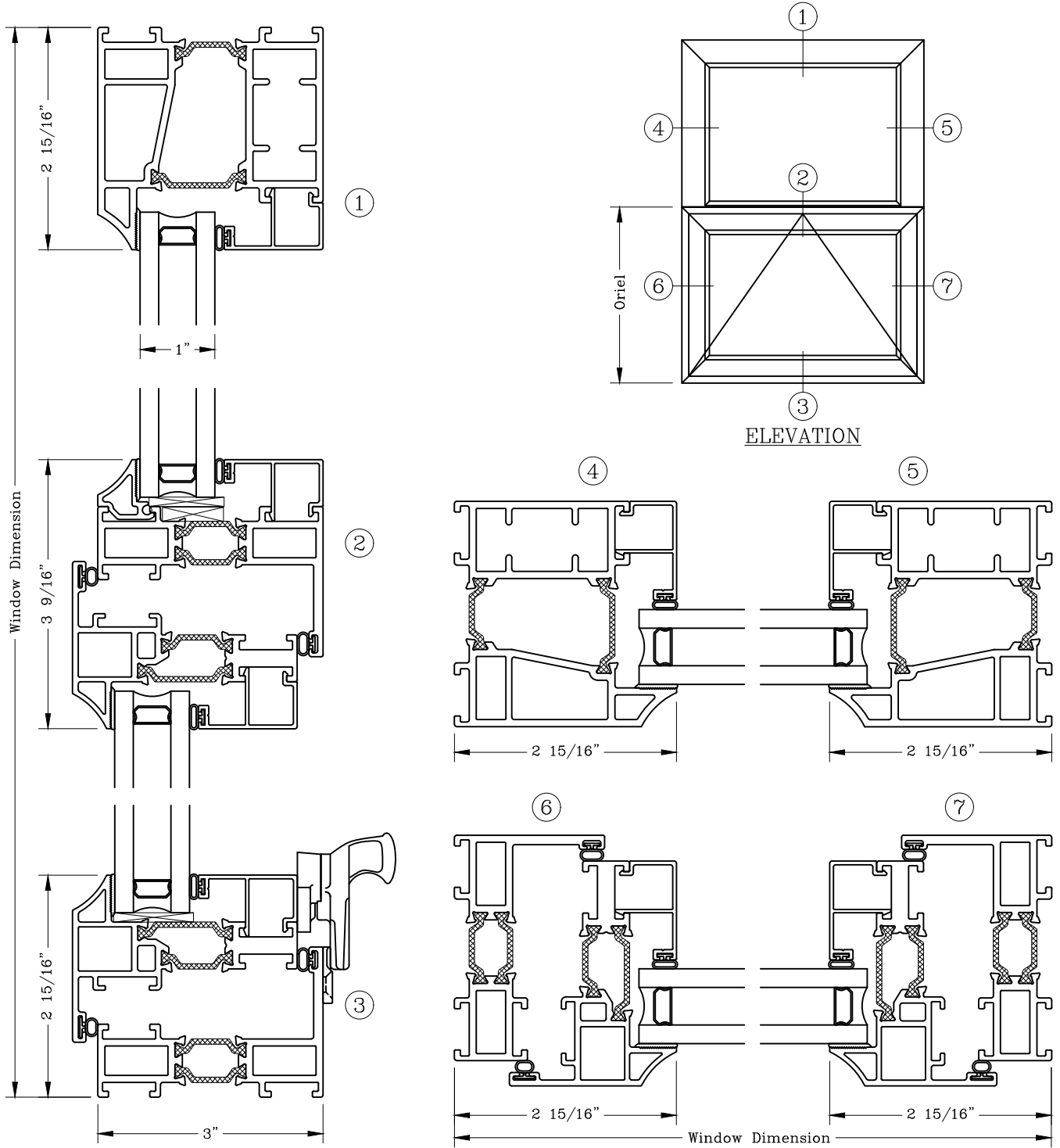
Projected – 3”  
 Equal Sightline  
 Fixed Over Outswing



Series: GT6700      Manufacturing Code: GT6703C

Drawing 1/2 Scale – For Custom Size Drawing Contact Graham

Note: Sealant Not Shown On Details. Refer To General Installation Instructions.



Note: Dashed Lines Represent Inswing Vented Units Solid Lines Represent Outswing Vented Units; Lines Converge At Hinge Side Of Vent



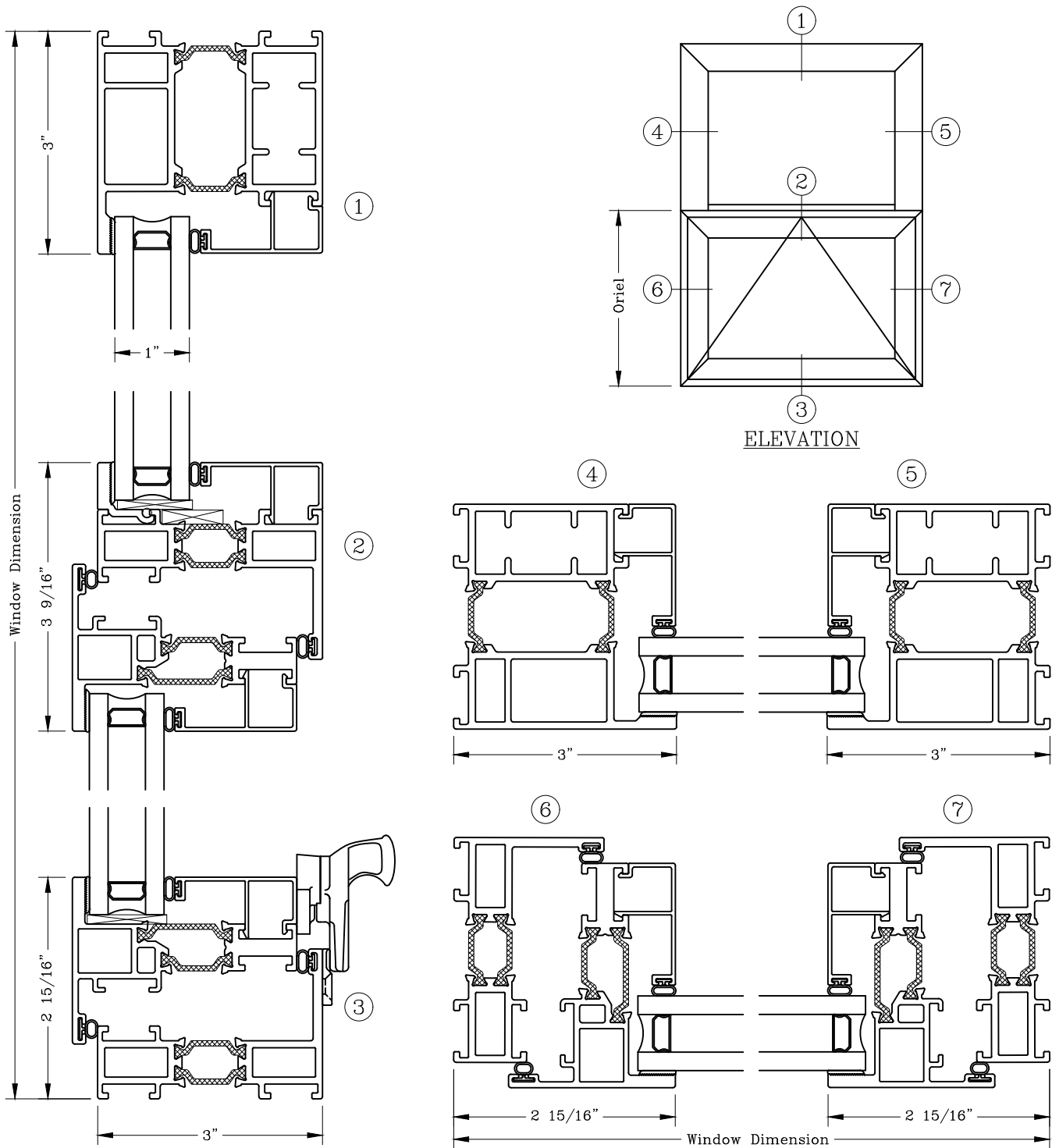
Projected – 3”  
 Equal Sightline  
 Fixed Over Outswing



Series: GT6700 Manufacturing Code: GT6703F

Drawing 1/2 Scale – For Custom Size Drawing Contact Graham

Note: Sealant Not Shown On Details. Refer To General Installation Instructions.



Note: Dashed Lines Represent Inswing Vented Units Solid Lines Represent Outswing Vented Units; Lines Converge At Hinge Side Of Vent

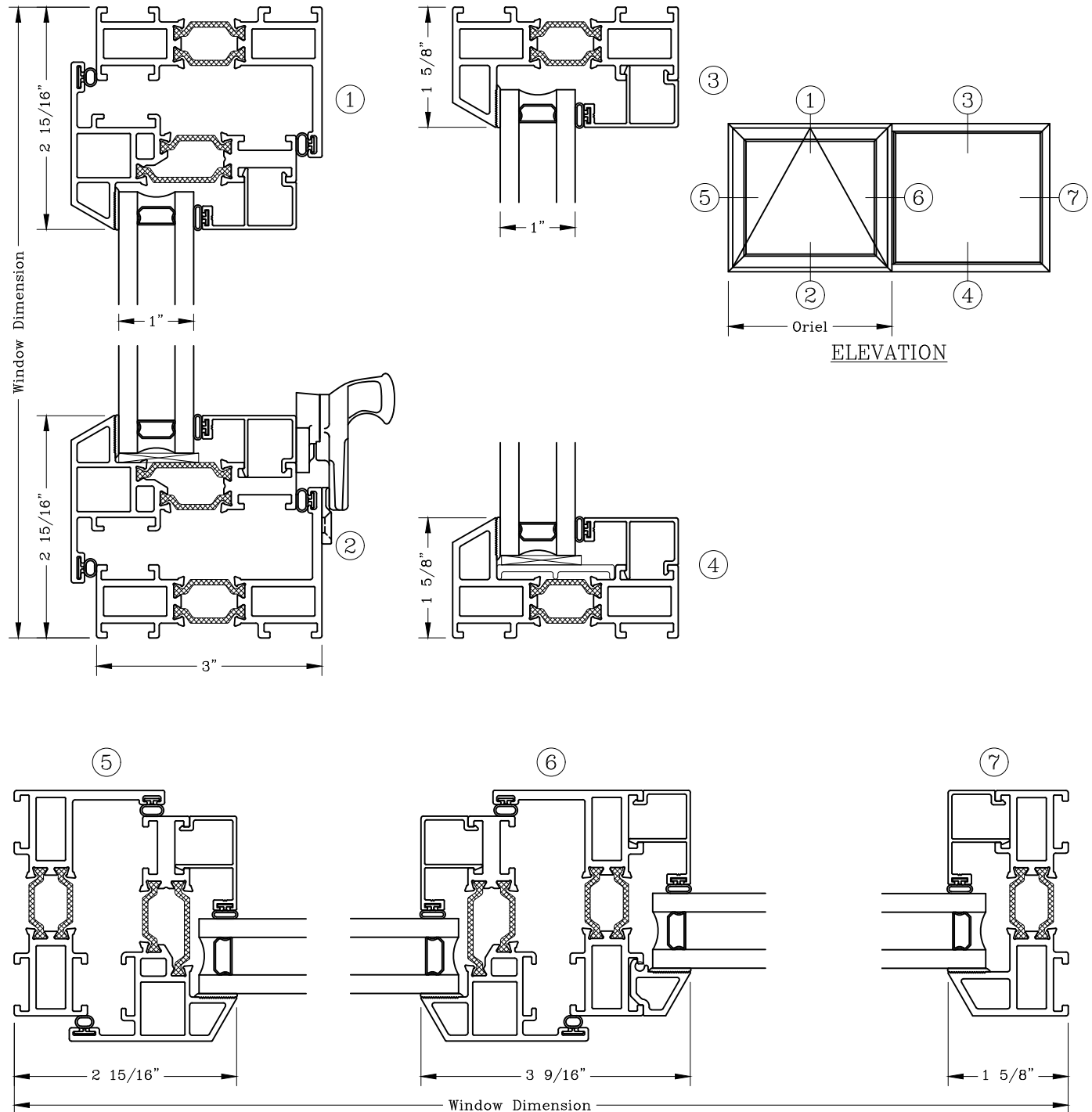
Projected – 3”  
 Narrow Sightline  
 Outswing Awning/Fixed



Series: GT6700 Manufacturing Code: GT6704B

Drawing 1/2 Scale – For Custom Size Drawing Contact Graham

Note: Sealant Not Shown On Details. Refer To General Installation Instructions.



Note: Dashed Lines Represent Inswing Vented Units Solid Lines Represent  
 Outswing Vented Units; Lines Converge At Hinge Side Of Vent

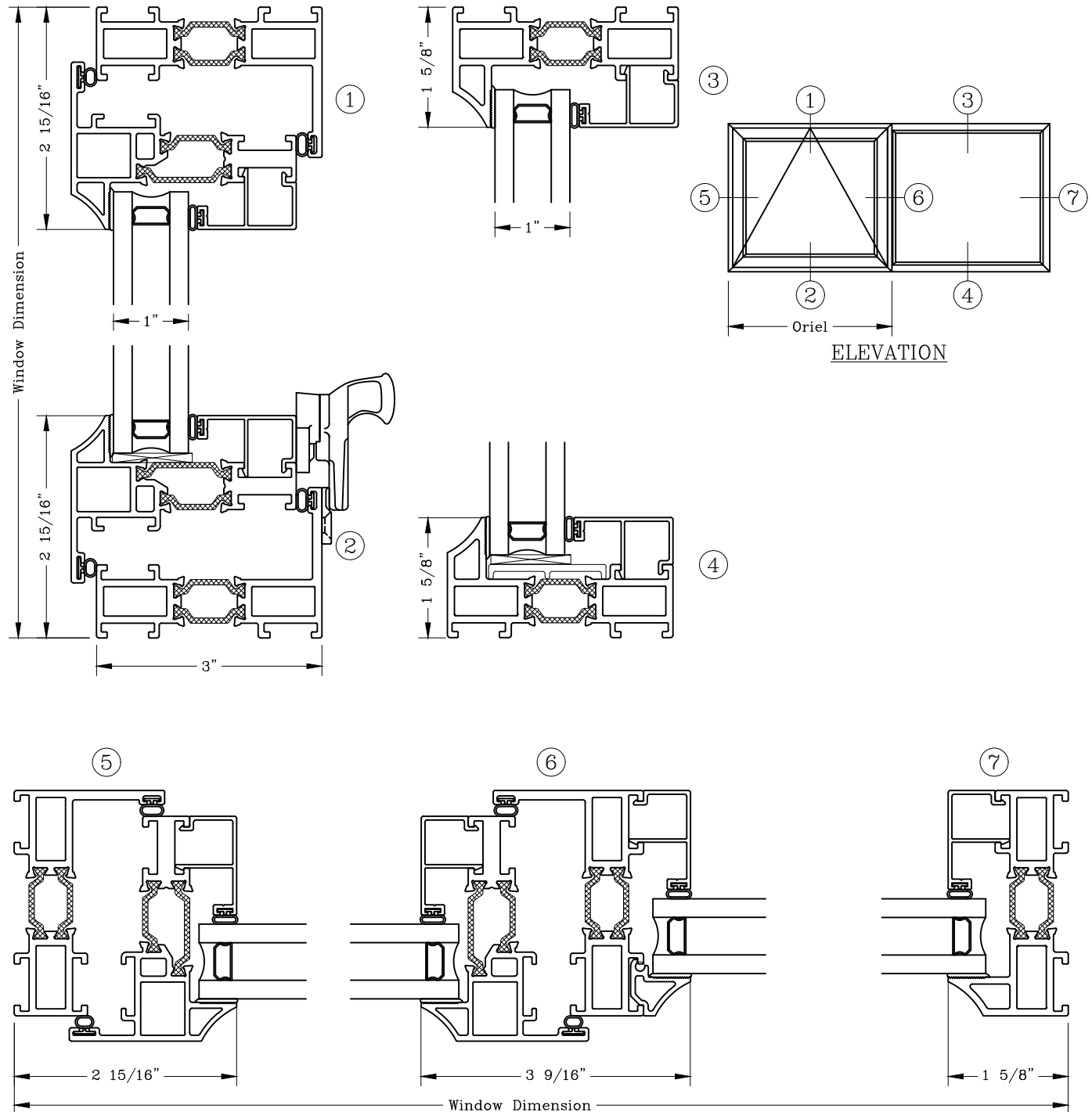
Projected – 3”  
 Narrow Sightline  
 Outswing Awning/Fixed



Series: GT6700 Manufacturing Code: GT6704C

Drawing 1/2 Scale – For Custom Size Drawing Contact Graham

Note: Sealant Not Shown On Details. Refer To General Installation Instructions.



Note: Dashed Lines Represent Inswing Vented Units Solid Lines Represent Outswing Vented Units; Lines Converge At Hinge Side Of Vent

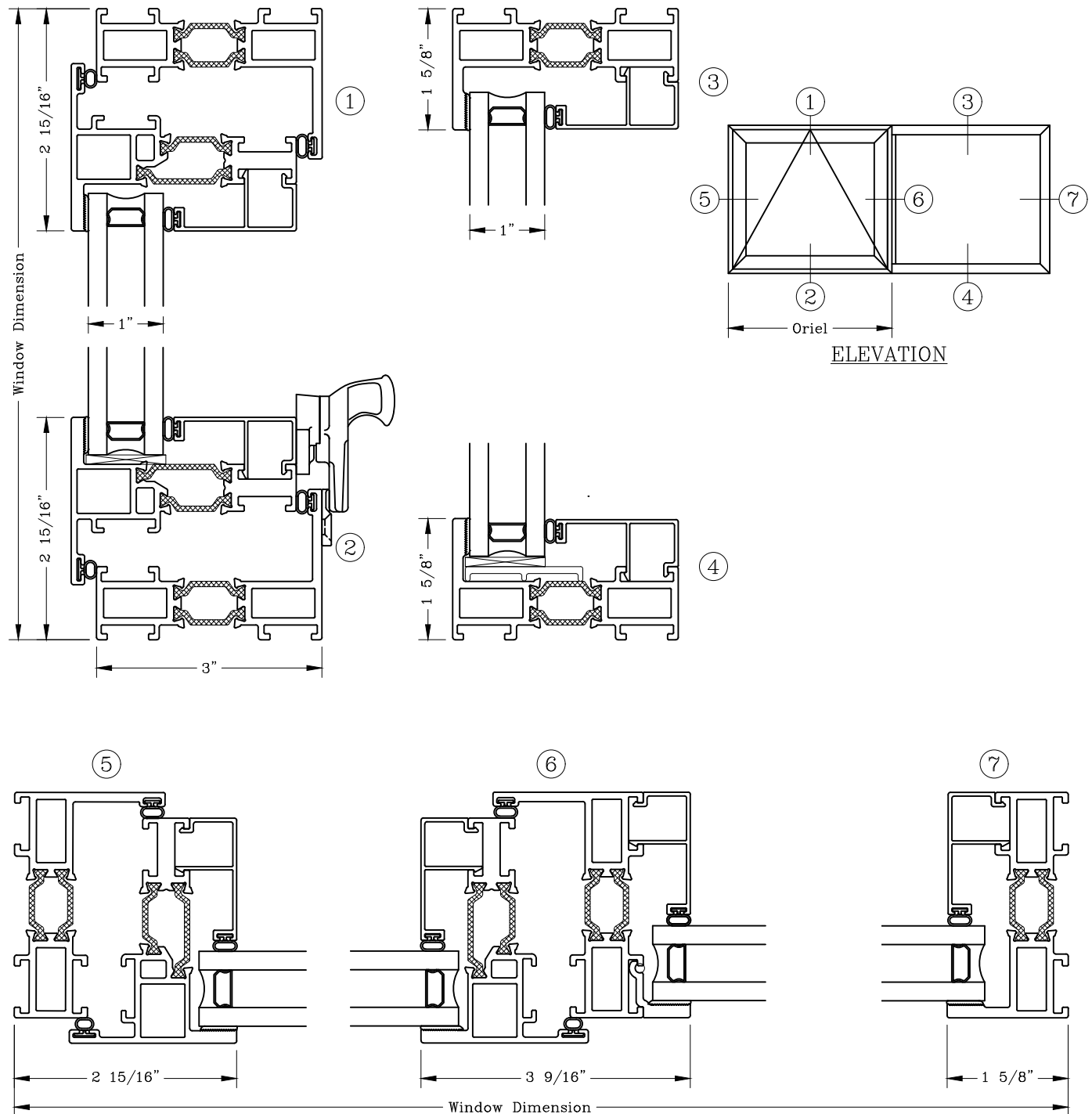
Projected – 3”  
 Narrow Sightline  
 Outswing Awning/Fixed



Series: GT6700 Manufacturing Code: GT6704F

Drawing 1/2 Scale – For Custom Size Drawing Contact Graham

Note: Sealant Not Shown On Details. Refer To General Installation Instructions.



Note: Dashed Lines Represent Inswing Vented Units Solid Lines Represent Outswing Vented Units; Lines Converge At Hinge Side Of Vent

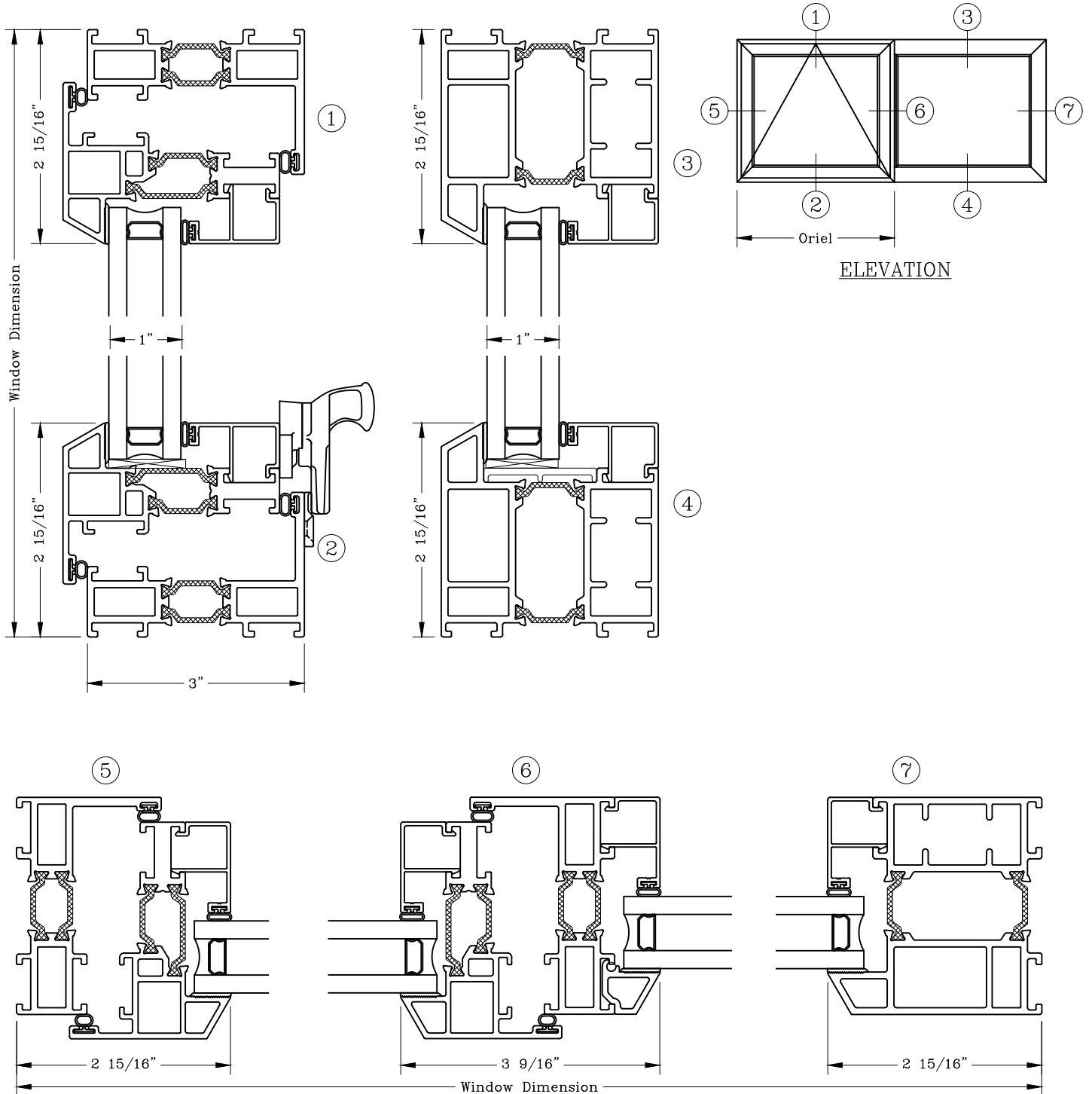
Projected – 3”  
 Equal Sightline  
 Outswing Awning/Fixed



Series: GT6700 Manufacturing Code: GT6705B

Drawing 1/2 Scale – For Custom Size Drawing Contact Graham

Note: Sealant Not Shown On Details. Refer To General Installation Instructions.



Note: Dashed Lines Represent Inswing Vented Units Solid Lines Represent  
 Outswing Vented Units; Lines Converge At Hinge Side Of Vent

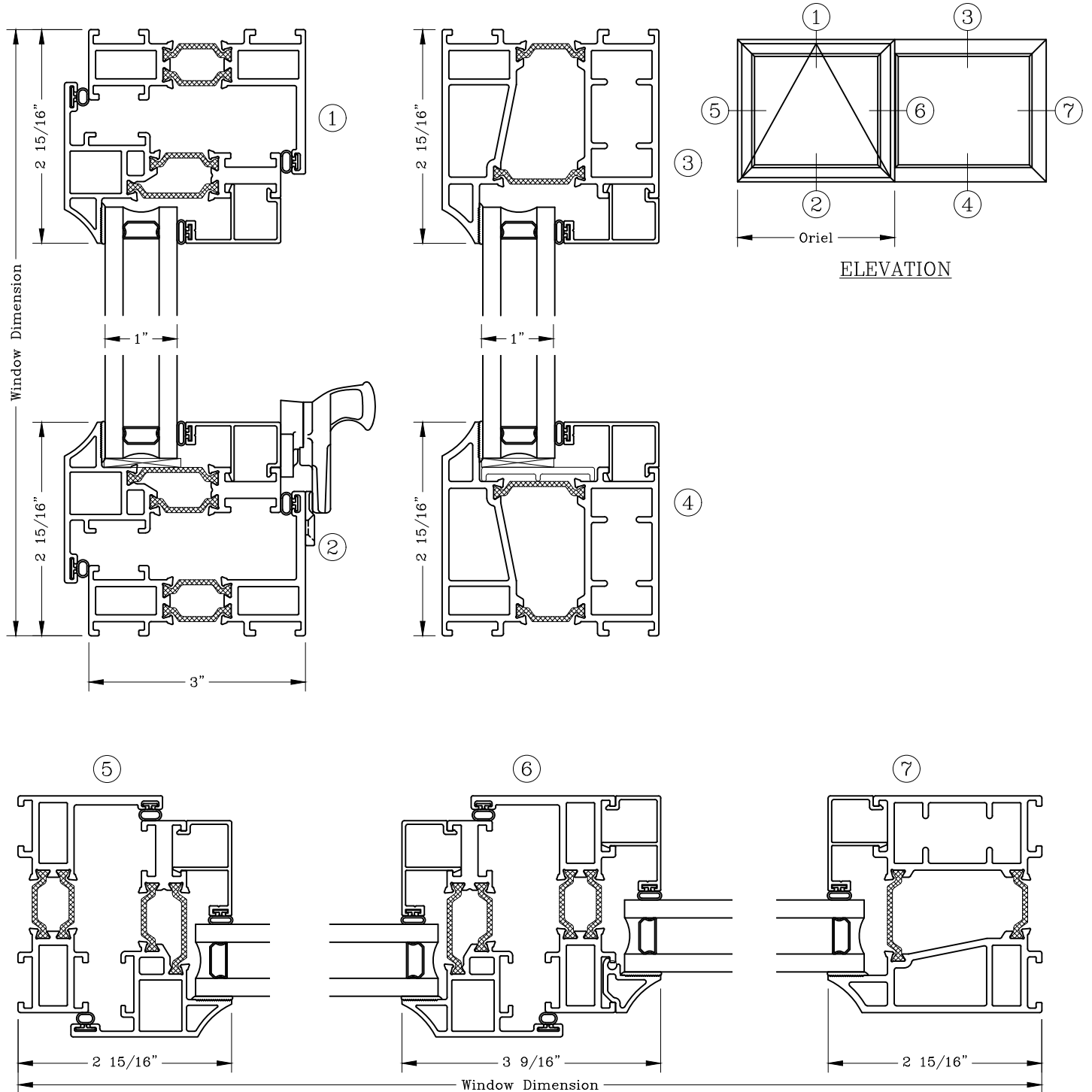
Projected – 3”  
 Equal Sightline  
 Outswing Awning/Fixed



Series: GT6700 Manufacturing Code: GT6705C

Drawing 1/2 Scale – For Custom Size Drawing Contact Graham

Note: Sealant Not Shown On Details. Refer To General Installation Instructions.



Note: Dashed Lines Represent Inswing Vented Units Solid Lines Represent Outswing Vented Units; Lines Converge At Hinge Side Of Vent

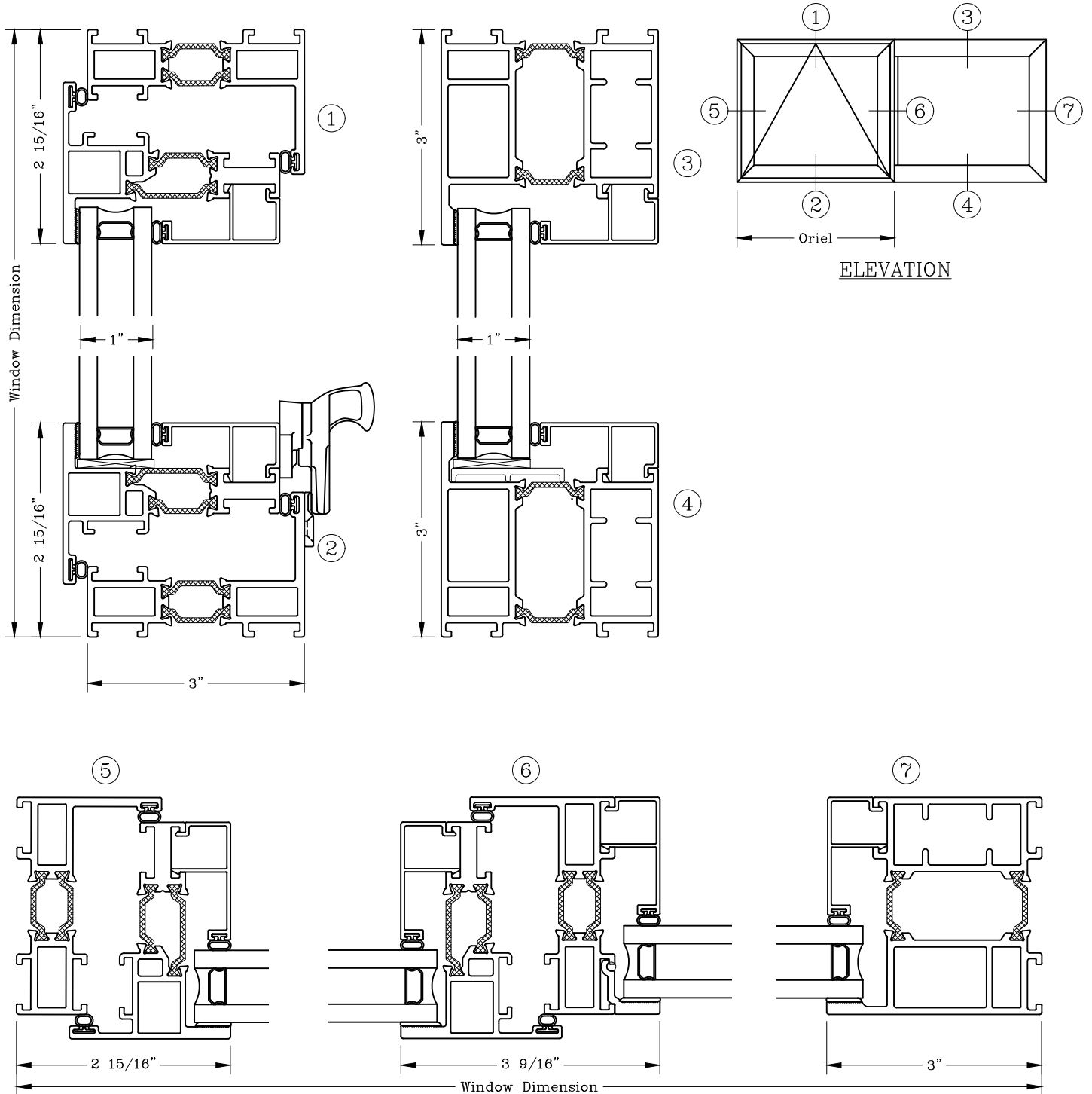
Projected – 3”  
 Equal Sightline  
 Outswing Awning/Fixed



Series: GT6700 Manufacturing Code: GT6705F

Drawing 1/2 Scale – For Custom Size Drawing Contact Graham

Note: Sealant Not Shown On Details. Refer To General Installation Instructions.



Note: Dashed Lines Represent Inswing Vented Units Solid Lines Represent Outswing Vented Units; Lines Converge At Hinge Side Of Vent

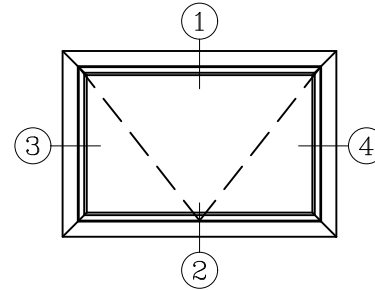
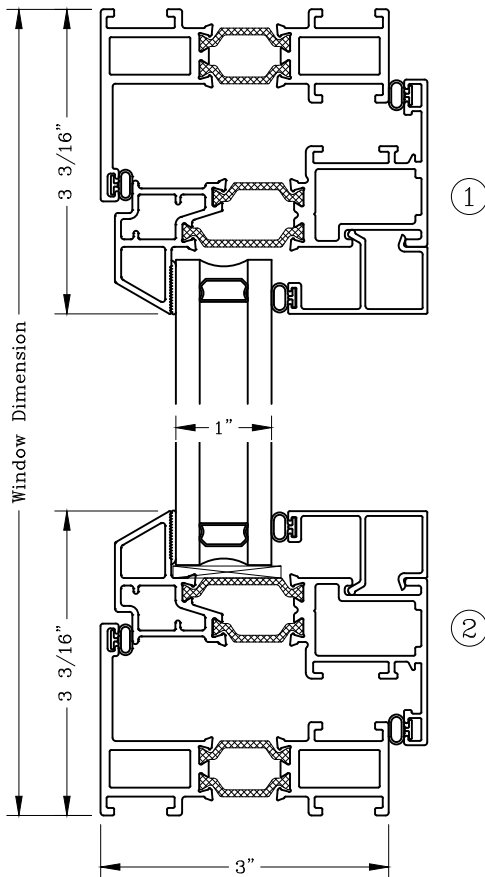
Projected – 3”  
 Equal Sightline  
 Inswing Projected



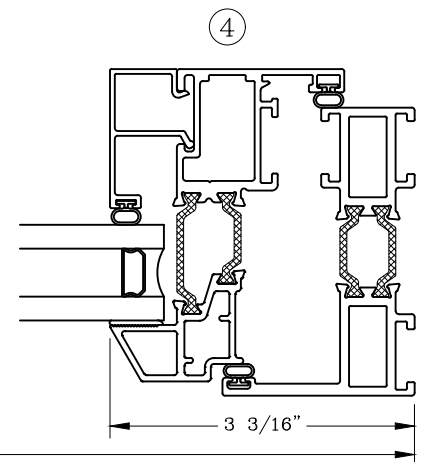
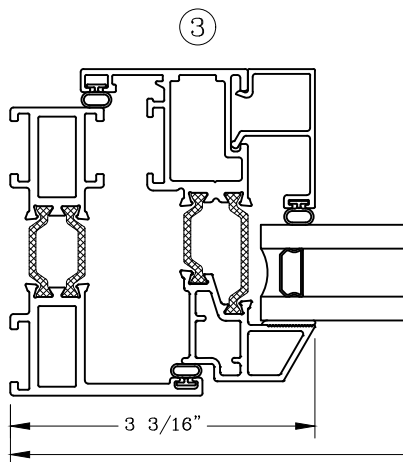
Series: GT6700 Manufacturing Code: GT6721B

Drawing 1/2 Scale – For Custom Size Drawing Contact Graham

Note: Sealant Not Shown On Details. Refer To General Installation Instructions.



ELEVATION



Note: Dashed Lines Represent Inswing Vented Units Solid Lines Represent  
 Outswing Vented Units; Lines Converge At Hinge Side Of Vent



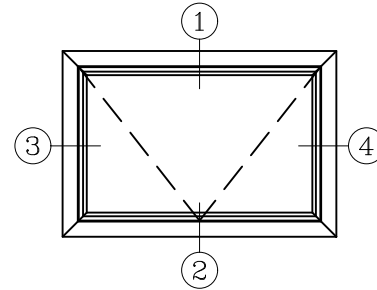
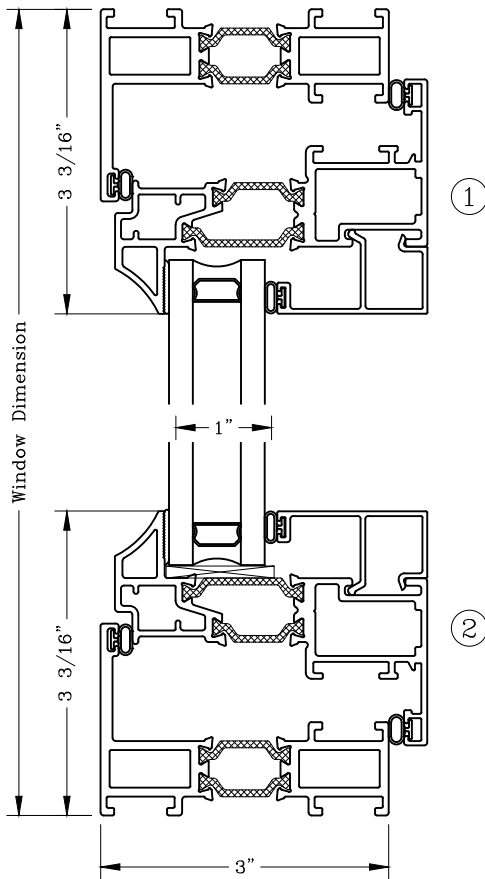
Projected – 3”  
 Equal Sightline  
 Inswing Projected



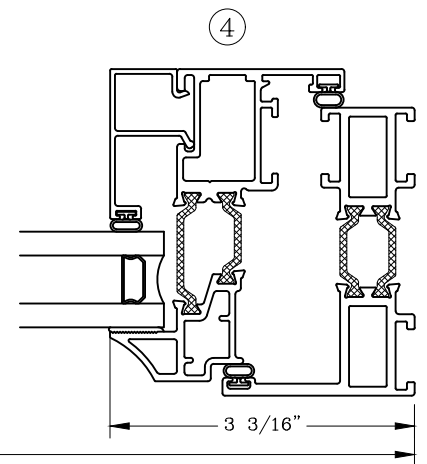
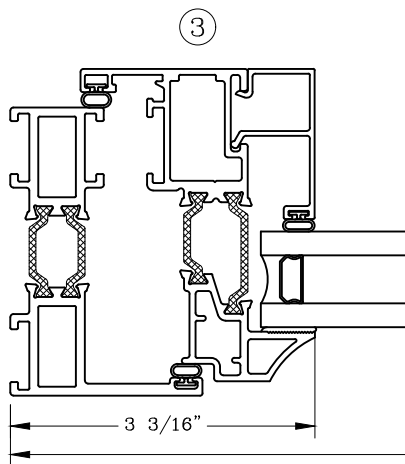
Series: GT6700 Manufacturing Code: GT6721C

Drawing 1/2 Scale – For Custom Size Drawing Contact Graham

Note: Sealant Not Shown On Details. Refer To General Installation Instructions.



ELEVATION



Note: Dashed Lines Represent Inswing Vented Units Solid Lines Represent Outswing Vented Units; Lines Converge At Hinge Side Of Vent

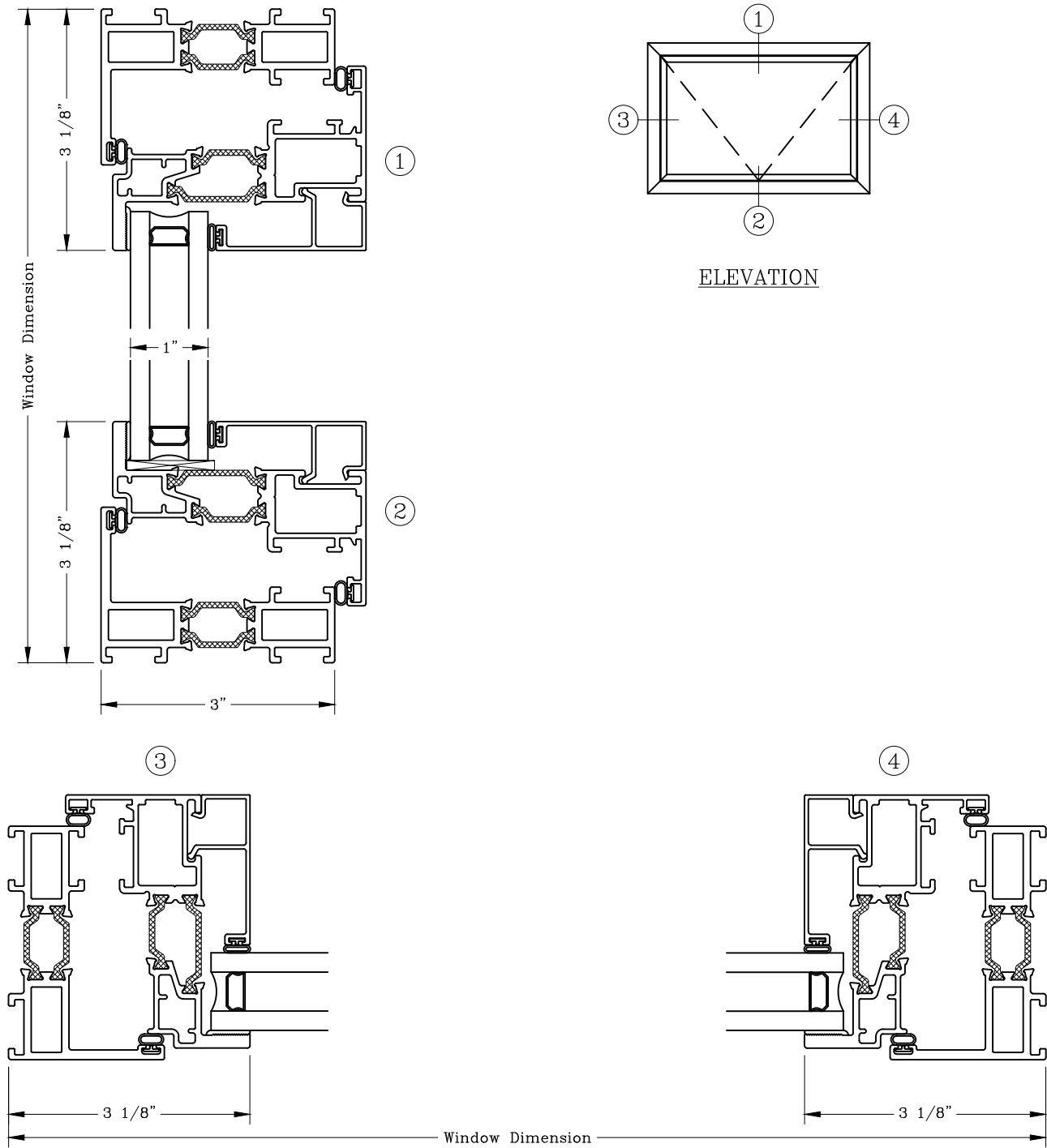
Projected – 3”  
 Equal Sightline  
 Inswing Projected



Series: GT6700 Manufacturing Code: GT6721F

Drawing 1/2 Scale – For Custom Size Drawing Contact Graham

Note: Sealant Not Shown On Details. Refer To General Installation Instructions.



Note: Dashed Lines Represent Inswing Vented Units Solid Lines Represent Outswing Vented Units; Lines Converge At Hinge Side Of Vent

Projected – 3”  
Narrow Sightline



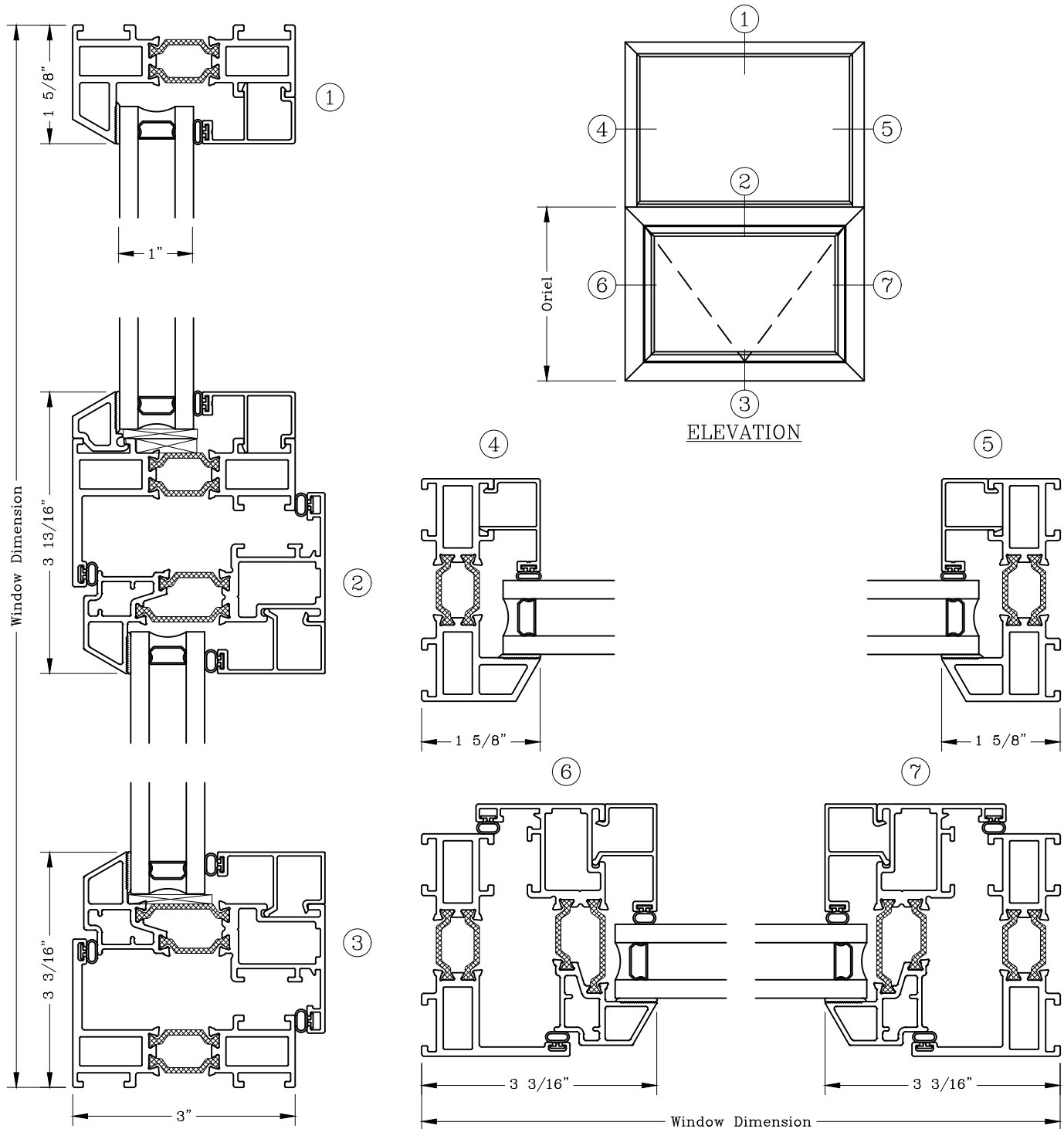
Fixed Over Inswing Projected

Series: GT6700

Manufacturing Code: GT6722B

Drawing 1/2 Scale – For Custom Size Drawing Contact Graham

Note: Sealant Not Shown On Details. Refer To General Installation Instructions.



Note: Dashed Lines Represent Inswing Vented Units Solid Lines Represent Outswing Vented Units; Lines Converge At Hinge Side Of Vent

Projected – 3”  
Narrow Sightline



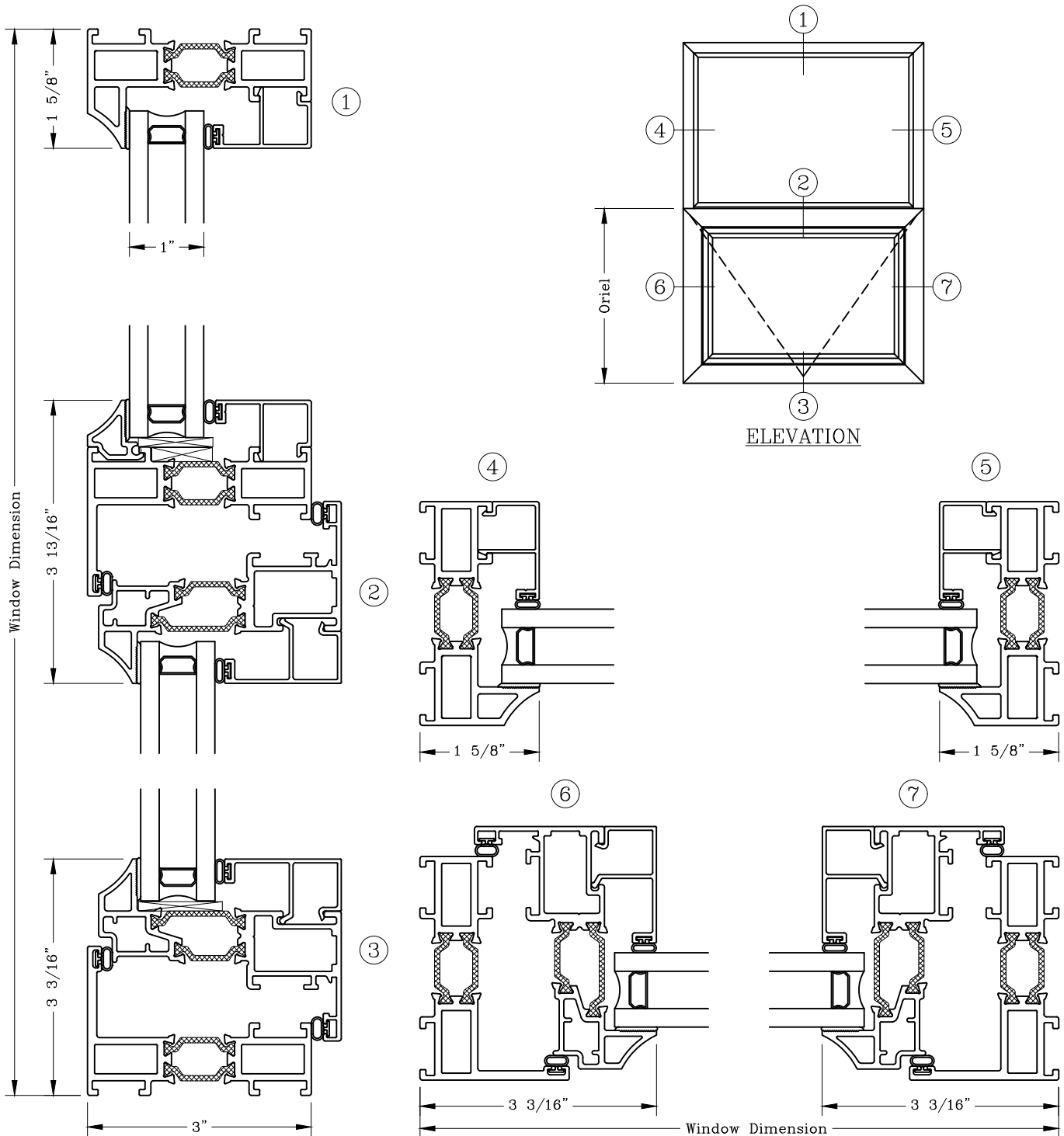
Fixed Over Inswing Projected

Series: GT6700

Manufacturing Code: GT6722C

Drawing 1/2 Scale – For Custom Size Drawing Contact Graham

Note: Sealant Not Shown On Details. Refer To General Installation Instructions.



Note: Dashed Lines Represent Inswing Vented Units Solid Lines Represent  
Outswing Vented Units; Lines Converge At Hinge Side Of Vent

Projected – 3”

Narrow Sightline

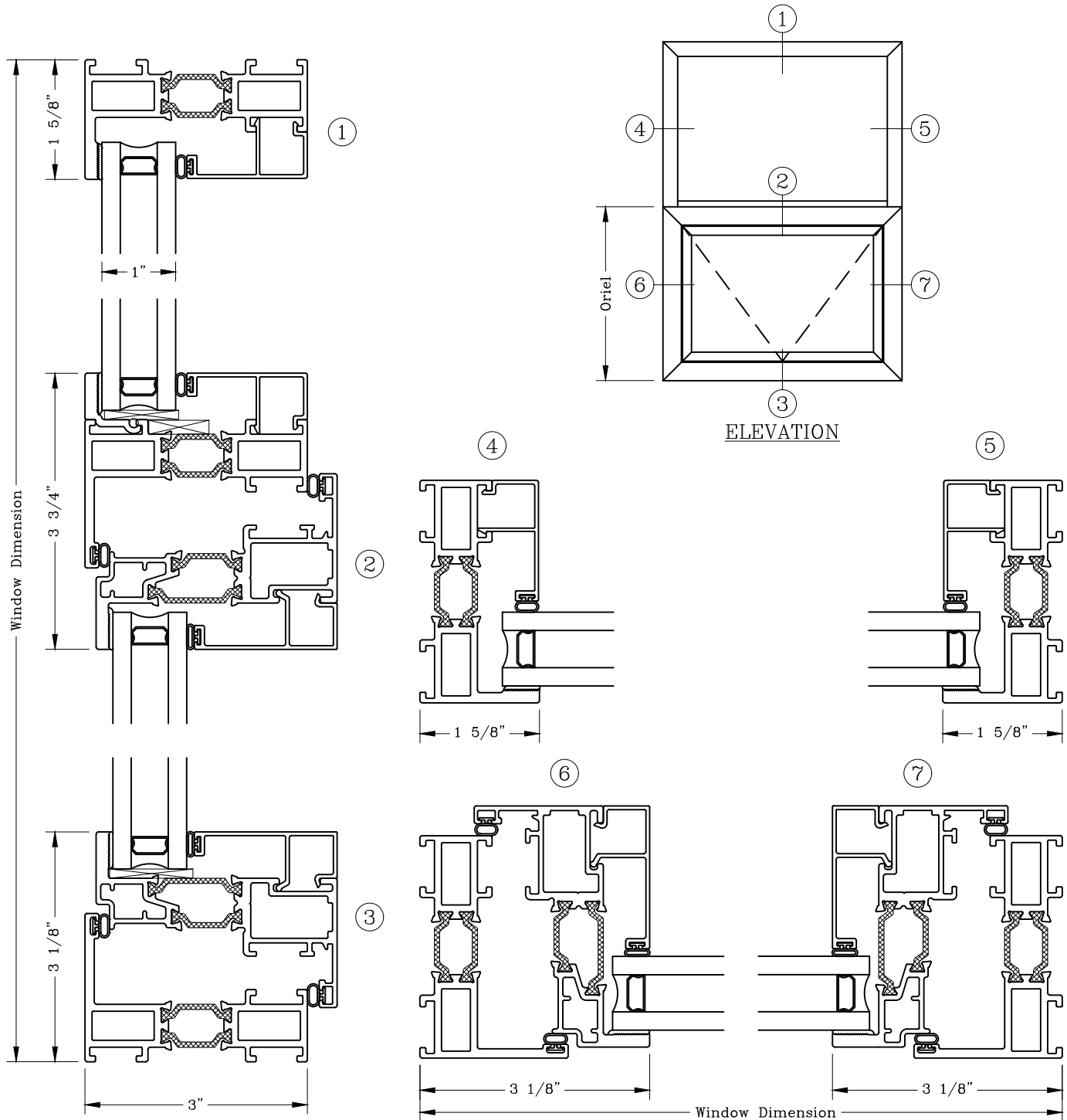
Fixed Over Inswing Projected

Series: GT6700

Manufacturing Code: GT6722F

Drawing 1/2 Scale – For Custom Size Drawing Contact Graham

Note: Sealant Not Shown On Details. Refer To General Installation Instructions.



Note: Dashed Lines Represent Inswing Vented Units Solid Lines Represent Outswing Vented Units; Lines Converge At Hinge Side Of Vent

Projected – 3"

Equal Sightline

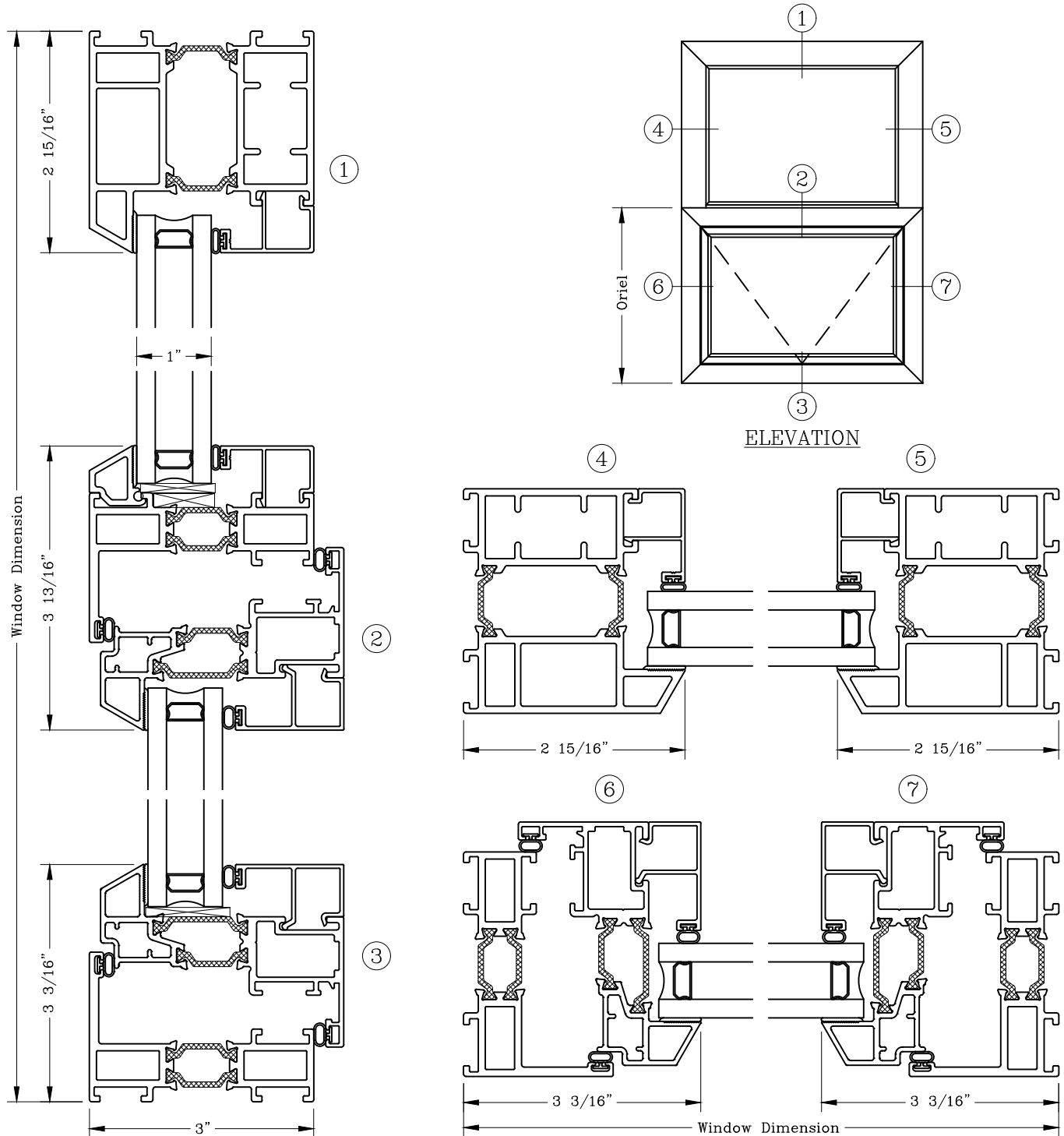
Fixed Over Inswing Projected

Series: GT6700

Manufacturing Code: GT6723B

Drawing 1/2 Scale – For Custom Size Drawing Contact Graham

Note: Sealant Not Shown On Details. Refer To General Installation Instructions.



Note: Dashed Lines Represent Inswing Vented Units Solid Lines Represent Outswing Vented Units; Lines Converge At Hinge Side Of Vent

Projected – 3"

Equal Sightline

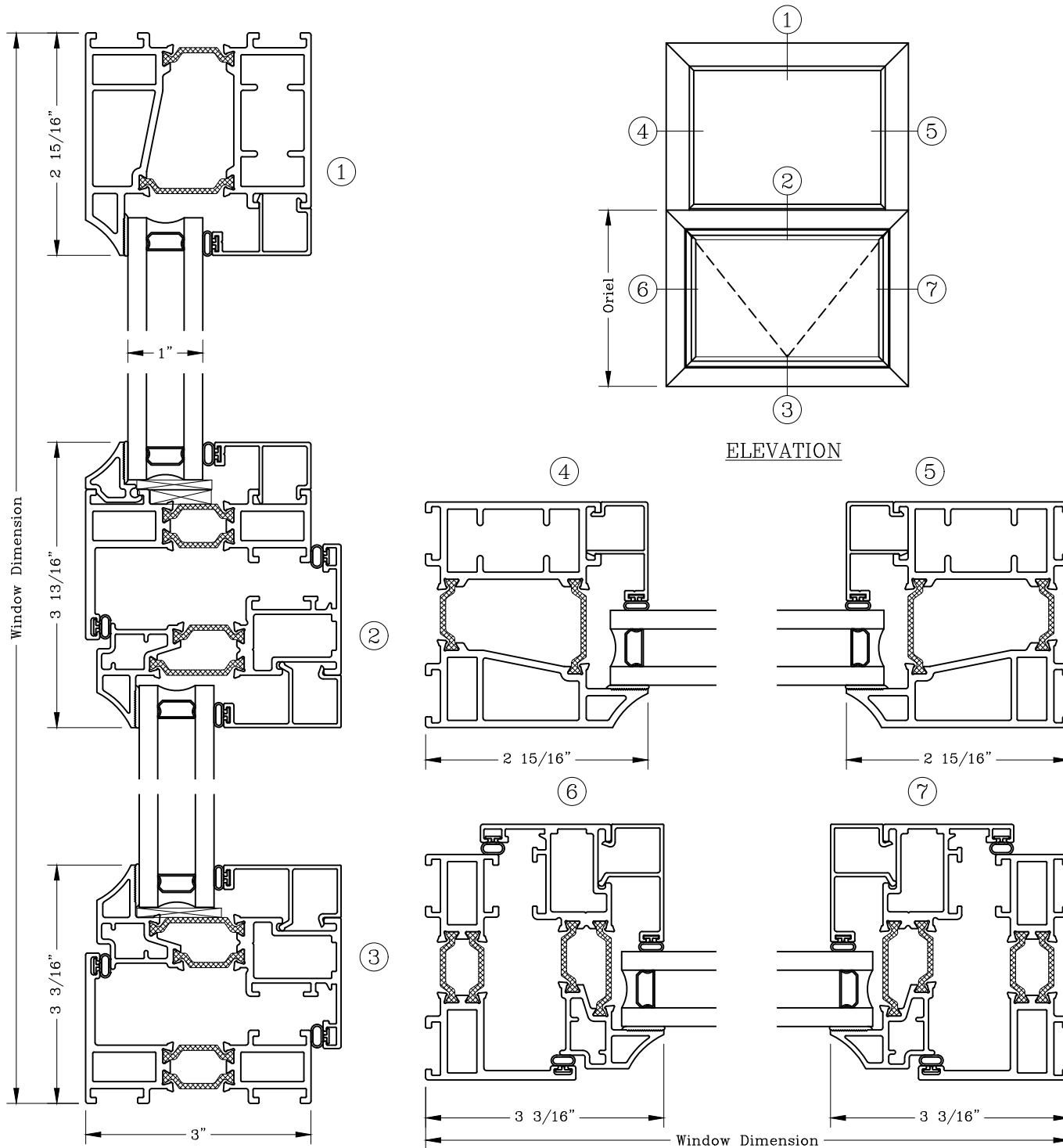
Fixed Over Inswing Projected

Series: GT6700

Manufacturing Code: GT6723C

Drawing 1/2 Scale – For Custom Size Drawing Contact Graham

Note: Sealant Not Shown On Details. Refer To General Installation Instructions.



Note: Dashed Lines Represent Inswing Vented Units Solid Lines Represent Outswing Vented Units; Lines Converge At Hinge Side Of Vent

Projected - 3"

Equal Sightline

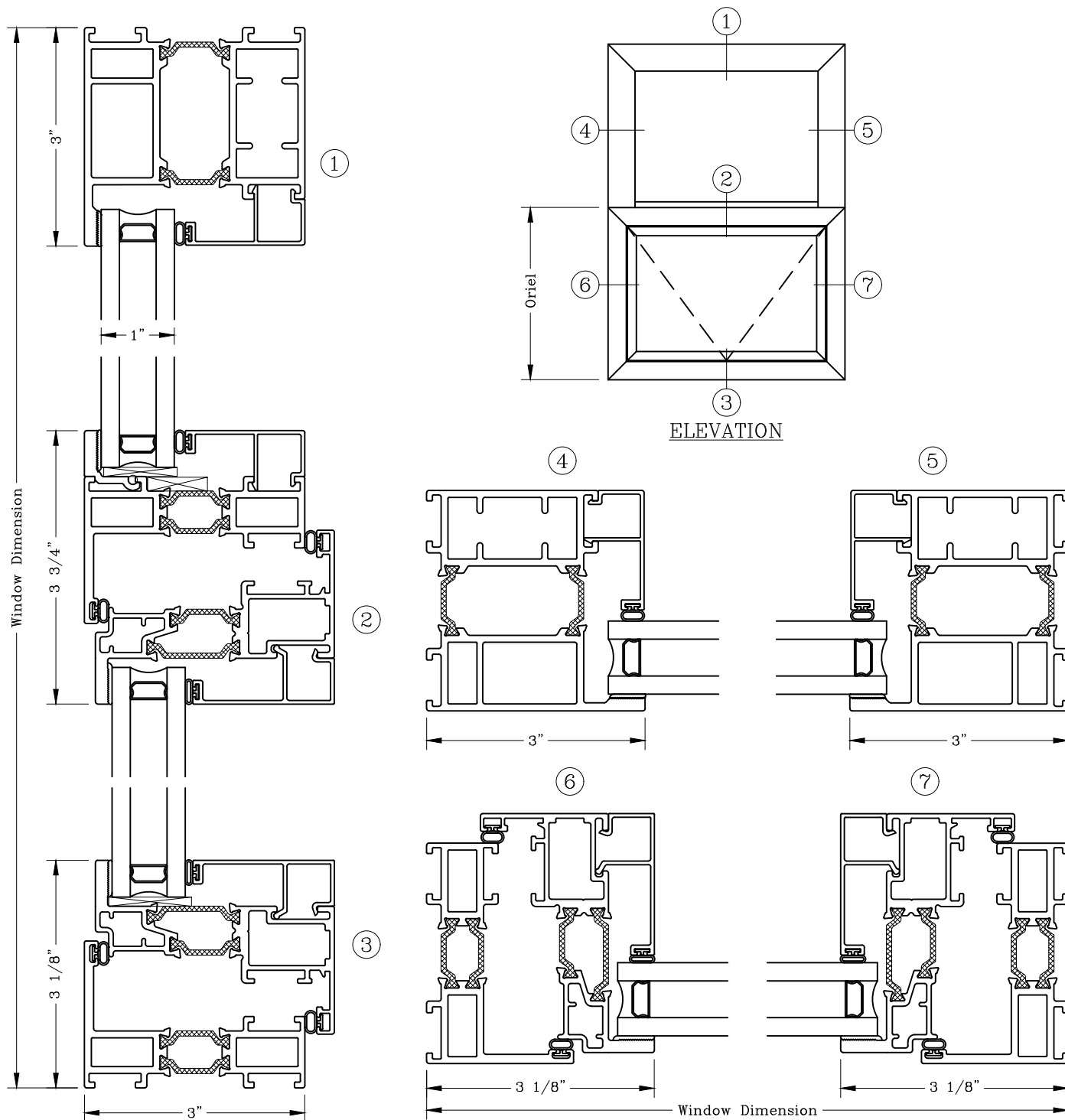
Fixed Over Inswing Projected

Series: GT6700

Manufacturing Code: GT6723F

Drawing 1/2 Scale - For Custom Size Drawing Contact Graham

Note: Sealant Not Shown On Details. Refer To General Installation Instructions.



Note: Dashed Lines Represent Inswing Vented Units Solid Lines Represent  
Outswing Vented Units; Lines Converge At Hinge Side Of Vent



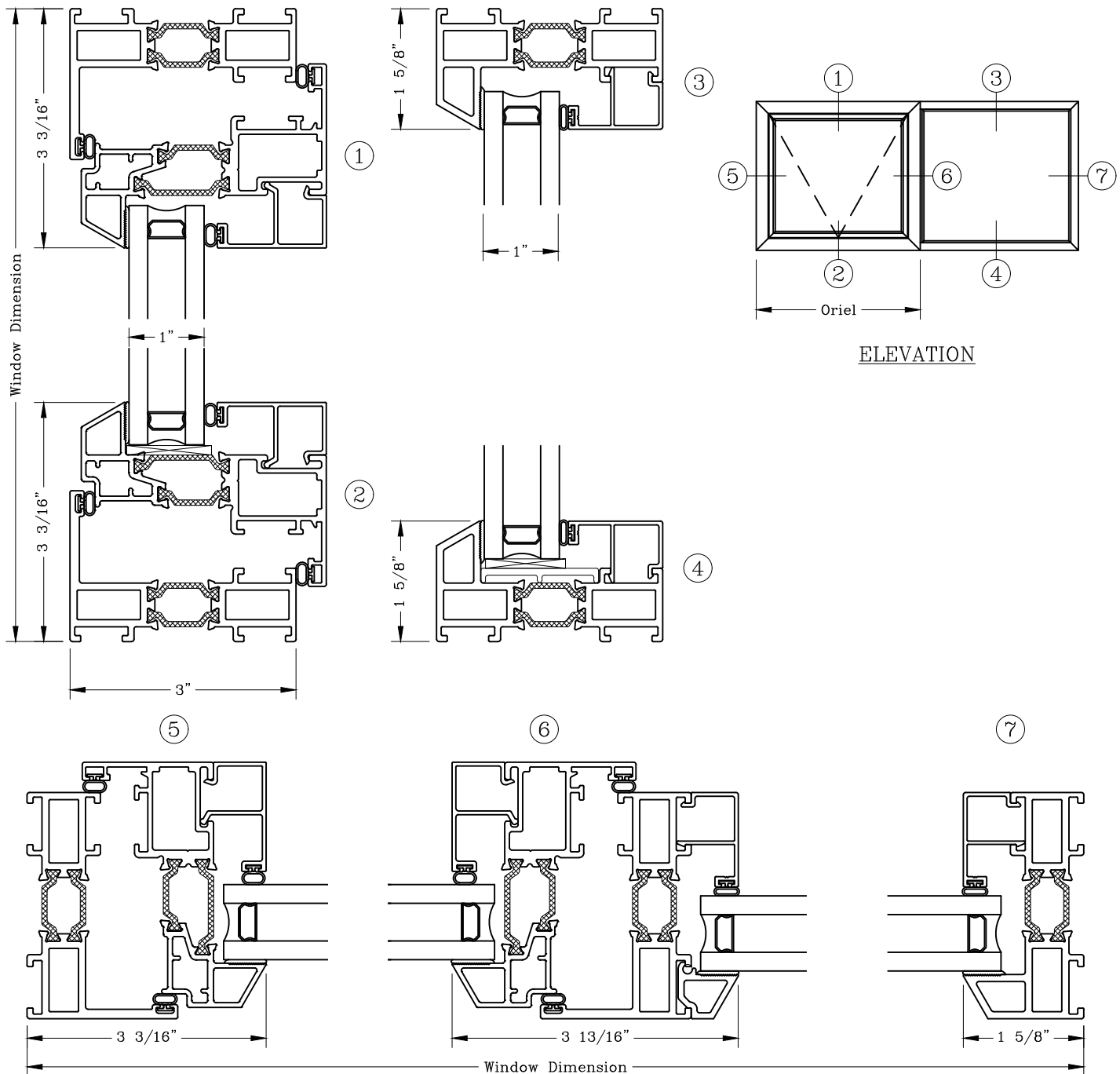
Projected – 3”  
Narrow Sightline  
Inswing Projected/Fixed



Series: GT6700 Manufacturing Code: GT6724B

Drawing 1/2 Scale – For Custom Size Drawing Contact Graham

Note: Sealant Not Shown On Details. Refer To General Installation Instructions.



Note: Dashed Lines Represent Inswing Vented Units Solid Lines Represent  
Outswing Vented Units; Lines Converge At Hinge Side Of Vent

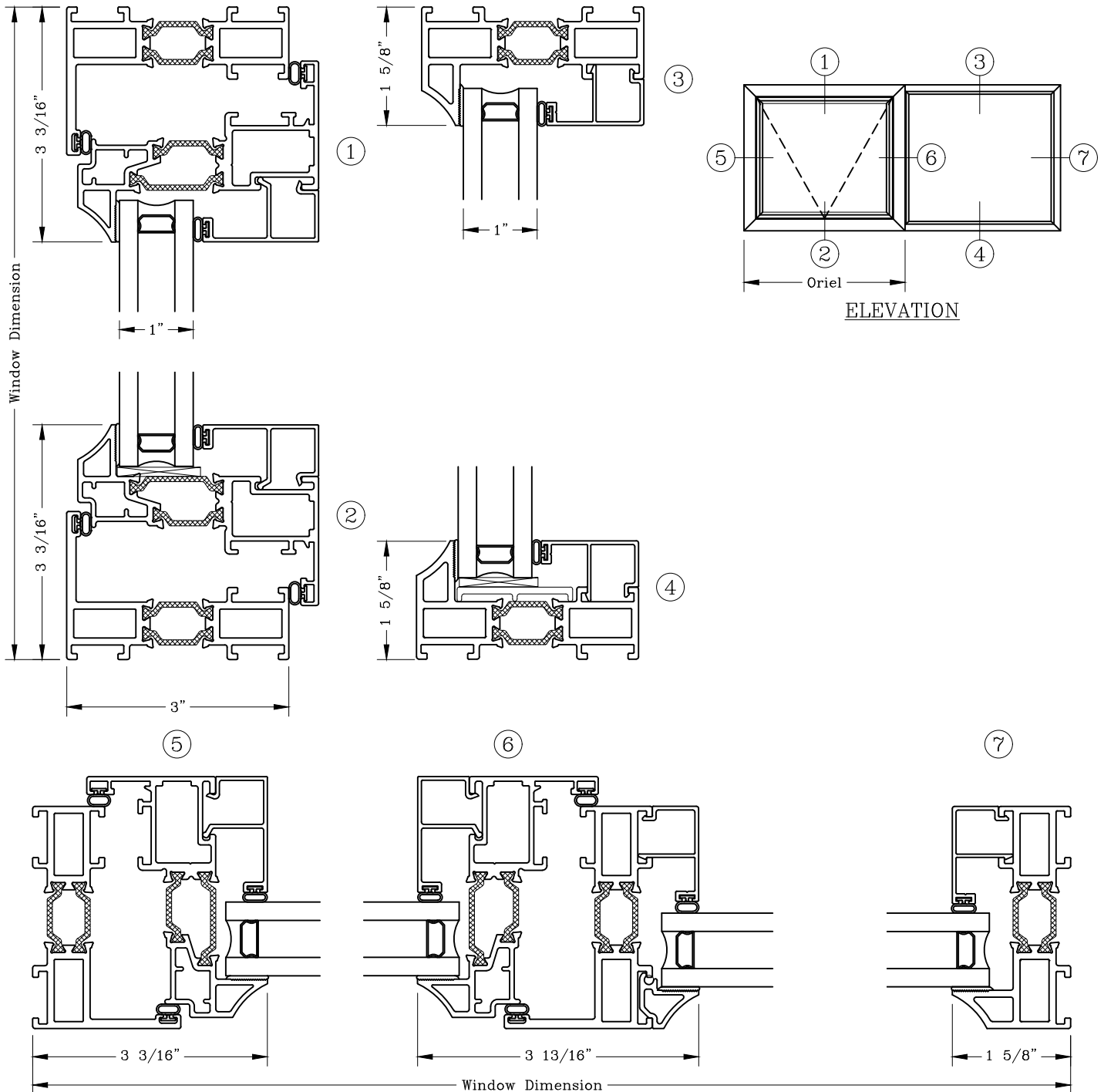
Projected – 3”  
Narrow Sightline  
Inswing Projected/Fixed



Series: GT6700 Manufacturing Code: GT6724C

Drawing 1/2 Scale – For Custom Size Drawing Contact Graham

Note: Sealant Not Shown On Details. Refer To General Installation Instructions.



Note: Dashed Lines Represent Inswing Vented Units Solid Lines Represent  
Outswing Vented Units; Lines Converge At Hinge Side Of Vent

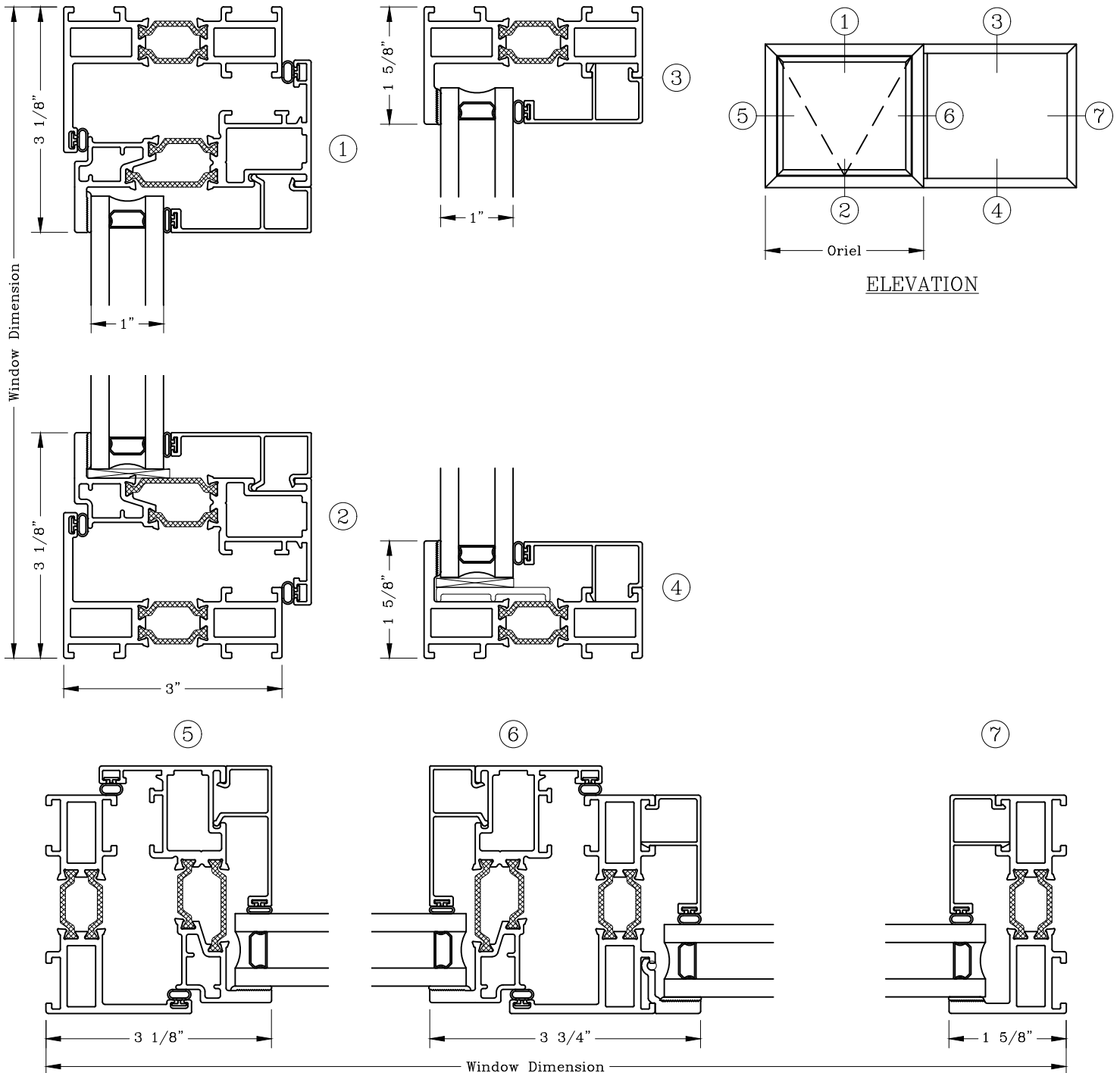
Projected – 3”  
 Narrow Sightline  
 Inswing Projected/Fixed



Series: GT6700 Manufacturing Code: GT6724F

Drawing 1/2 Scale – For Custom Size Drawing Contact Graham

Note: Sealant Not Shown On Details. Refer To General Installation Instructions.



Note: Dashed Lines Represent Inswing Vented Units Solid Lines Represent  
 Outswing Vented Units; Lines Converge At Hinge Side Of Vent

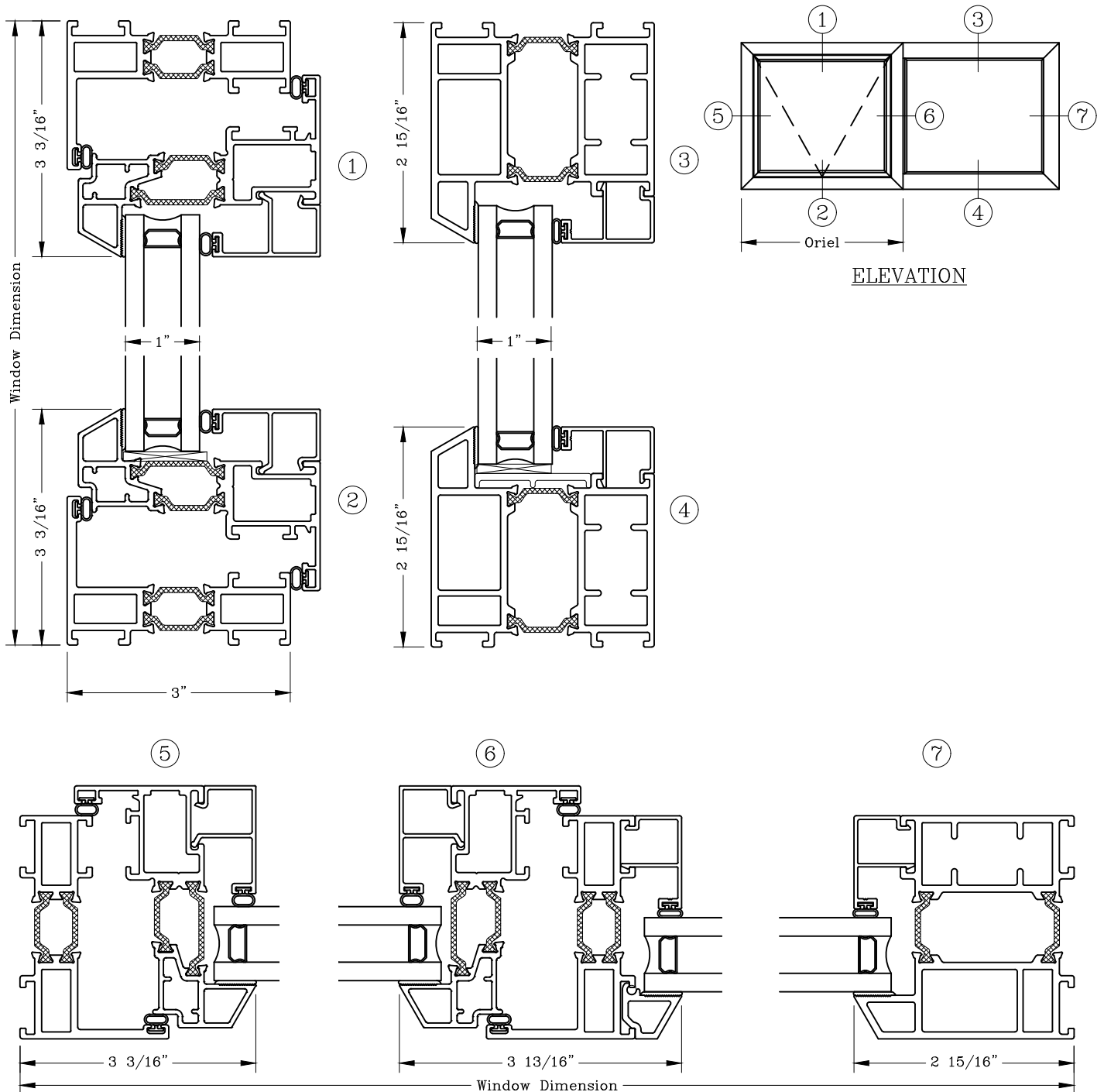
Projected – 3”  
 Equal Sightline  
 Inswing Projected/Fixed



Series: GT6700 Manufacturing Code: GT6725B

Drawing 1/2 Scale – For Custom Size Drawing Contact Graham

Note: Sealant Not Shown On Details. Refer To General Installation Instructions.



Note: Dashed Lines Represent Inswing Vented Units Solid Lines Represent  
 Outswing Vented Units; Lines Converge At Hinge Side Of Vent

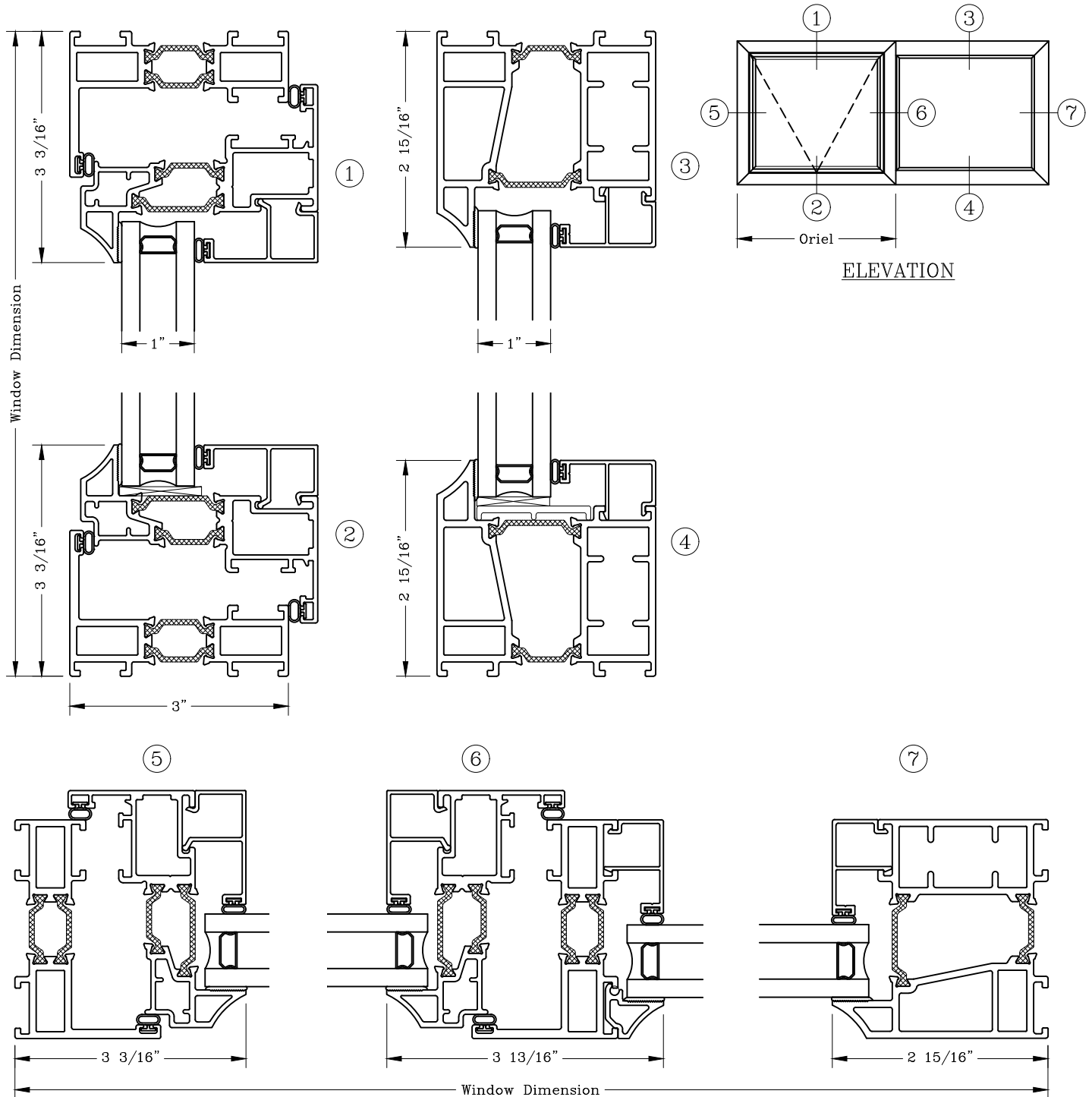
Projected – 3”  
 Equal Sightline  
 Inswing Projected/Fixed



Series: GT6700 Manufacturing Code: GT6725C

Drawing 1/2 Scale – For Custom Size Drawing Contact Graham

Note: Sealant Not Shown On Details. Refer To General Installation Instructions.



Note: Dashed Lines Represent Inswing Vented Units Solid Lines Represent  
 Outswing Vented Units; Lines Converge At Hinge Side Of Vent

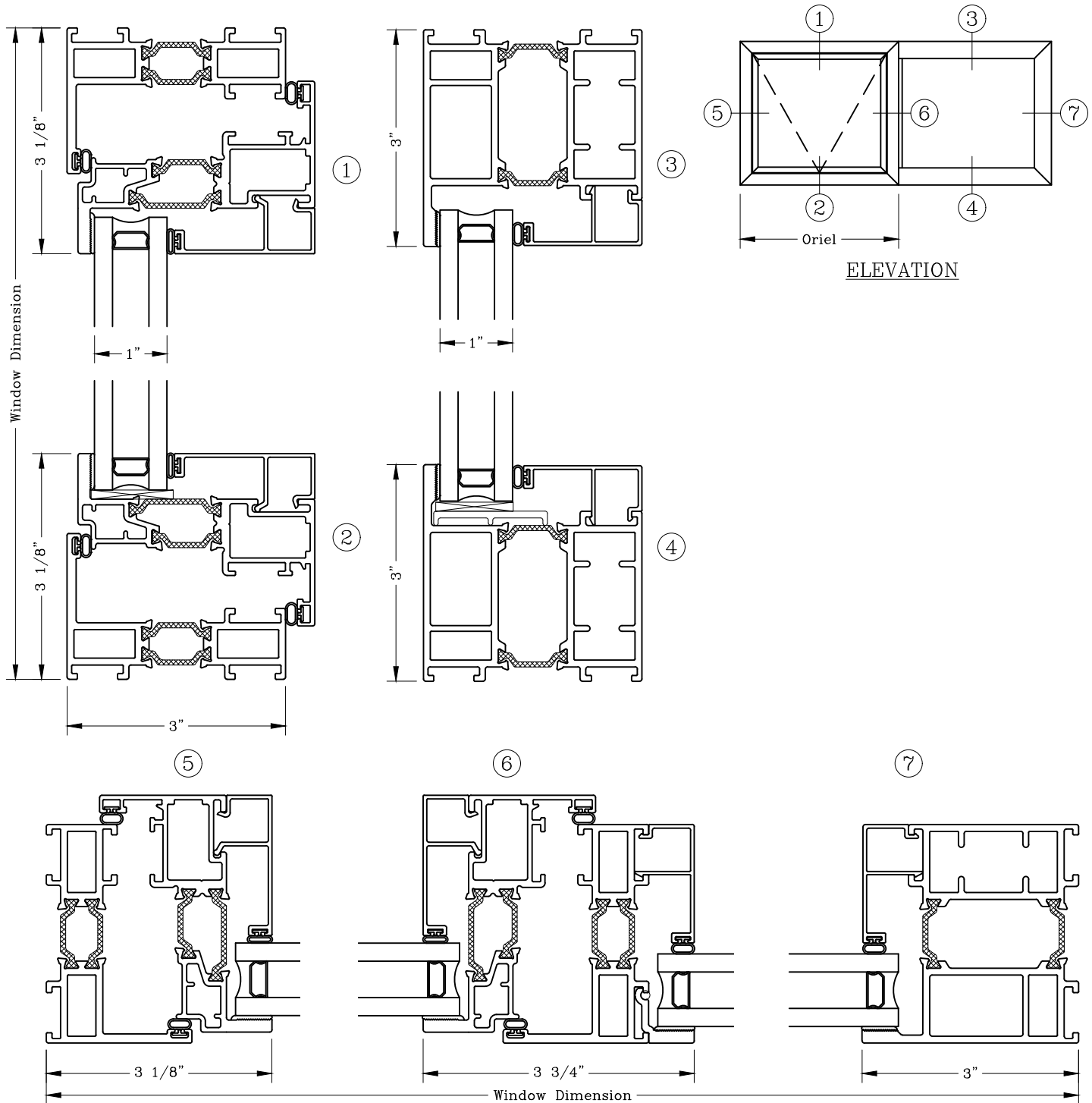
Projected – 3”  
 Equal Sightline  
 Inswing Projected/Fixed



Series: GT6700 Manufacturing Code: GT6725F

Drawing 1/2 Scale – For Custom Size Drawing Contact Graham

Note: Sealant Not Shown On Details. Refer To General Installation Instructions.



Note: Dashed Lines Represent Inswing Vented Units Solid Lines Represent  
 Outswing Vented Units; Lines Converge At Hinge Side Of Vent

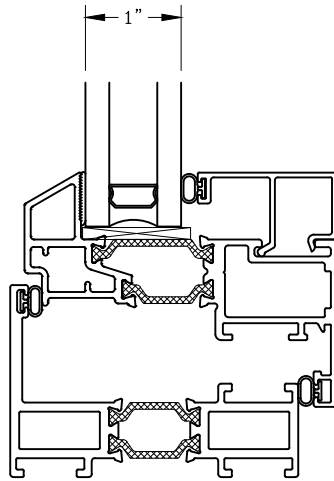
# Exterior Profile Options – 3”



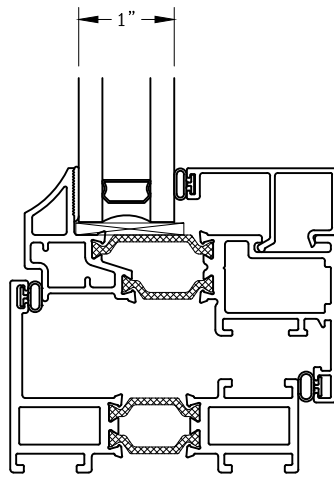
Series: GT6700 Manufacturing Code: GT6733B

Drawing 1/2 Scale – For Custom Size Drawing Contact Graham

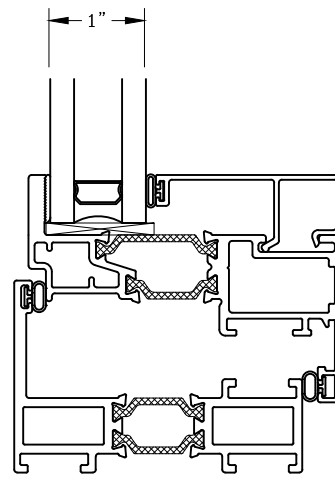
Note: Sealant Not Shown On Details. Refer To General Installation Instructions.



GT6700B  
Beveled



GT6700C  
Concave



GT6700F  
Flat

Note: Dashed Lines Represent Inswing Vented Units Solid Lines Represent  
Outswing Vented Units; Lines Converge At Hinge Side Of Vent