

Casement – 3”  
 Equal Sightline  
 Outswing

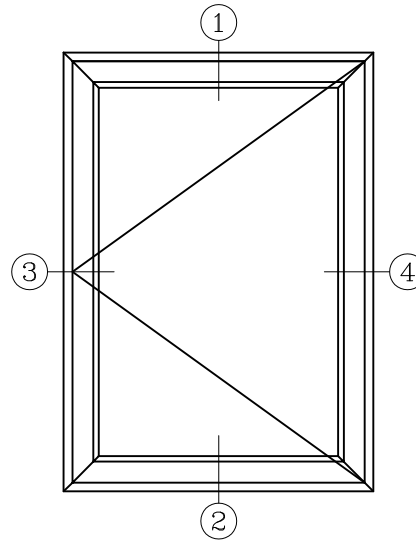
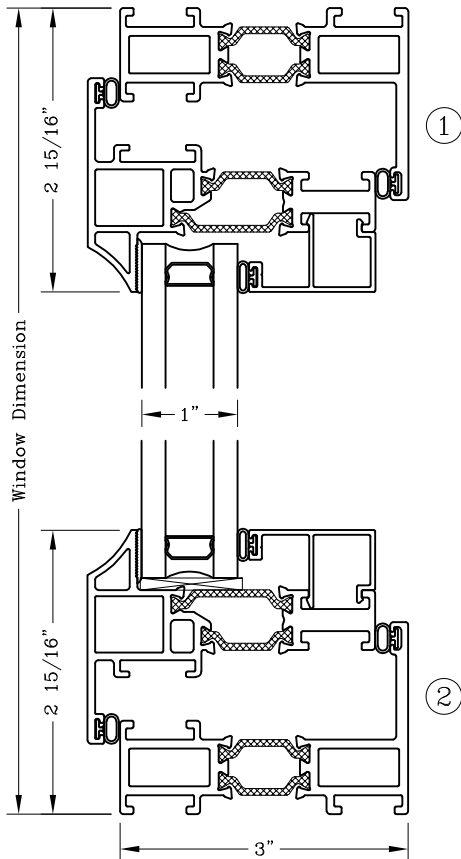


Series: GT6700

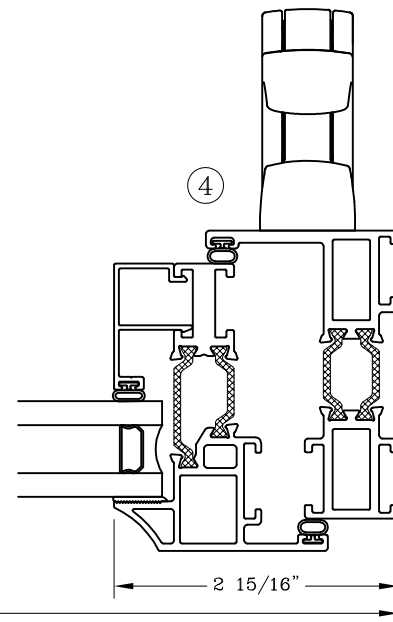
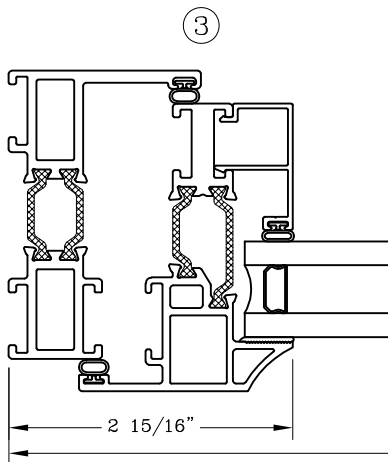
Manufacturing Code: GT6708C

Drawing 1/2 Scale – For Custom Size Drawing Contact Graham

Note: Sealant Not Shown On Details. Refer To General Installation Instructions.



ELEVATION



Window Dimension

Note: Dashed Lines Represent Inswing Vented Units Solid Lines Represent  
 Outswing Vented Units; Lines Converge At Hinge Side Of Vent

Graham Architectural Products reserves the right to change, add, cancel, remove or otherwise modify the details illustrated without prior notice.

1551 Mt. Rose Avenue, York, Pennsylvania 17403-2909 717.849.8100 Toll Free: 800/755-6274

0223 – GT67.08C

Web Site: [www.grahamwindows.com](http://www.grahamwindows.com)