

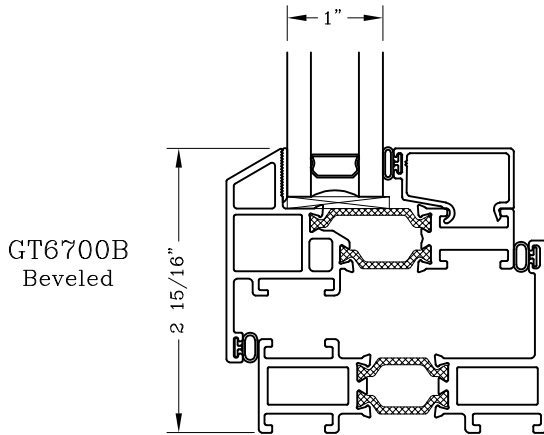
# Profile And Frame Options 3" Frame



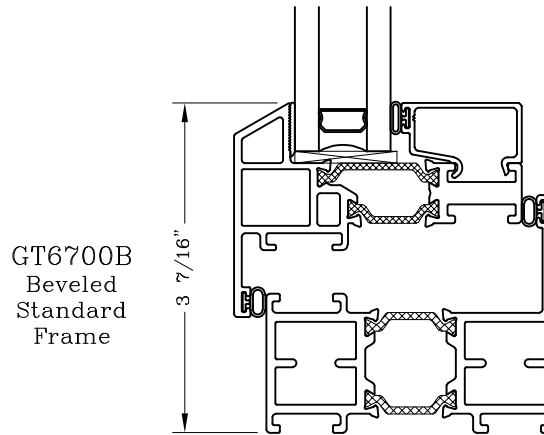
Series: GT6700 Manufacturing Code: GT6713B

Drawing 1/2 Scale – For Custom Size Drawing Contact Graham

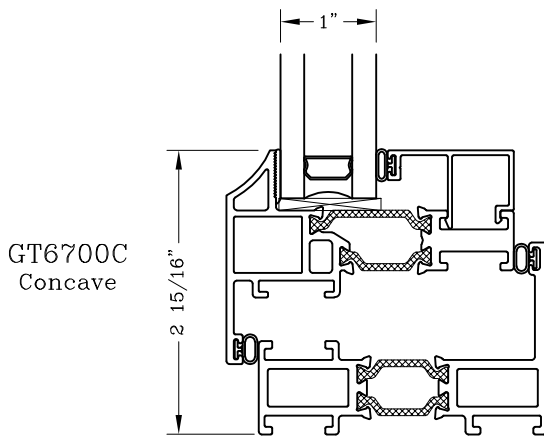
Note: Sealant Not Shown On Details. Refer To General Installation Instructions.



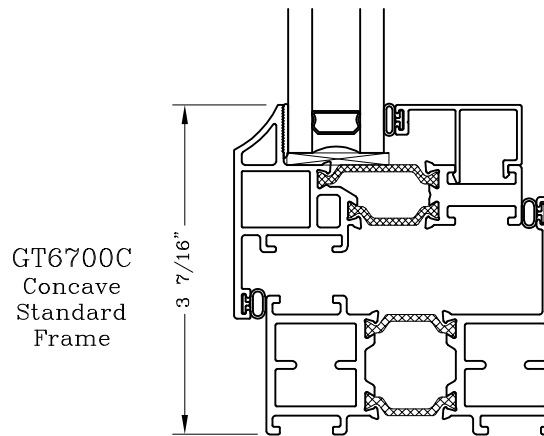
GT6700B  
Beveled



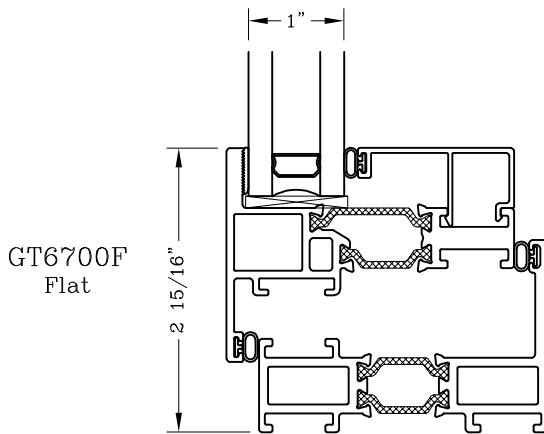
GT6700B  
Beveled  
Standard  
Frame



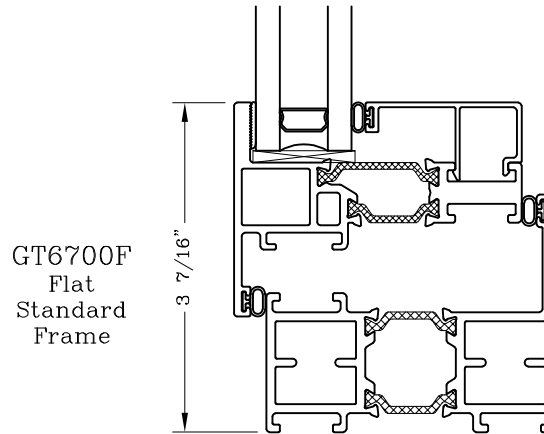
GT6700C  
Concave



GT6700C  
Concave  
Standard  
Frame



GT6700F  
Flat



GT6700F  
Flat  
Standard  
Frame

Note: Dashed Lines Represent Inswing Vented Units Solid Lines Represent  
Outswing Vented Units; Lines Converge At Hinge Side Of Vent

Graham Architectural Products reserves the right to change, add, cancel, remove or otherwise modify the details illustrated without prior notice.

1551 Mt. Rose Avenue, York, Pennsylvania 17403-2909 717.849.8100 Toll Free: 800/755-6274

0223 – GT67.13B

Web Site: [www.grahamwindows.com](http://www.grahamwindows.com)