

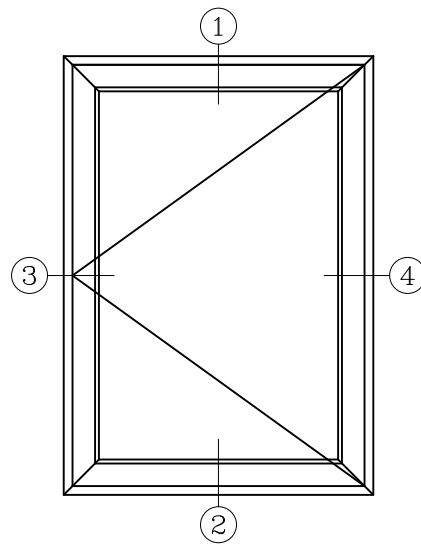
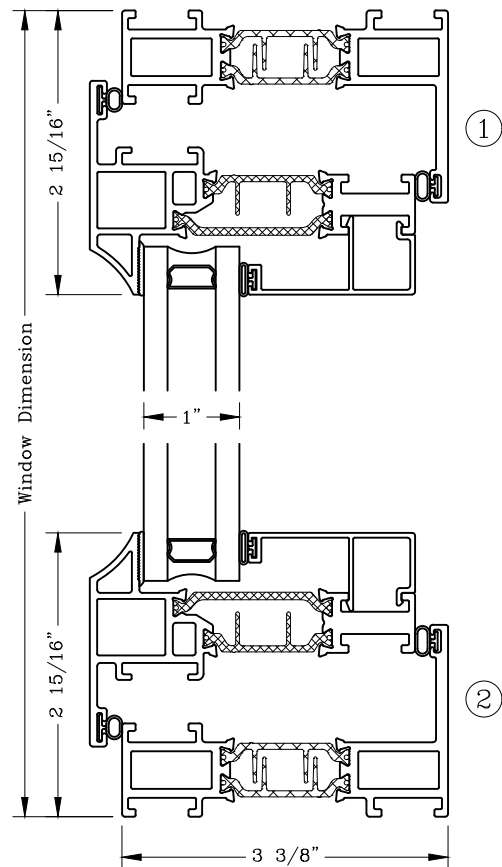
Casement – 3 3/8”
 Equal Sightline
 Outswing



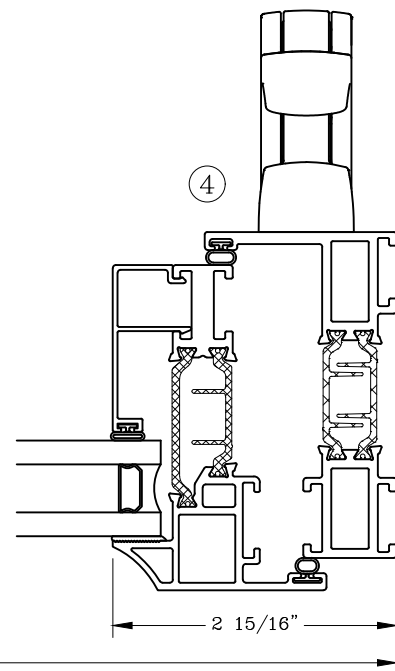
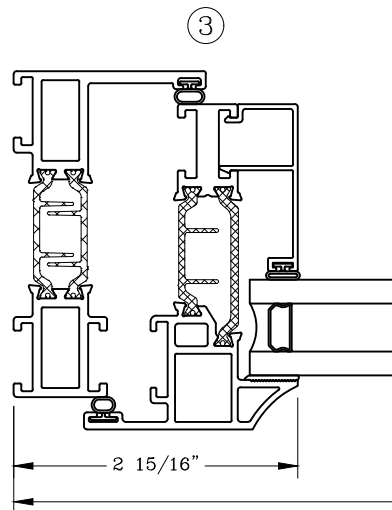
Series: GT6800 Manufacturing Code: GT6808C

Drawing 1/2 Scale – For Custom Size Drawing Contact Graham

Note: Sealant Not Shown On Details. Refer To General Installation Instructions.



ELEVATION



Note: Dashed Lines Represent Inswing Vented Units Solid Lines Represent
 Outswing Vented Units; Lines Converge At Hinge Side Of Vent