

French Terrace Door

Inswing

Astragal & Optional Muntins

Series: GT7700 Manufacturing Code: GT7709

Drawing 1/2 Scale – For Custom Size Drawing Contact Graham

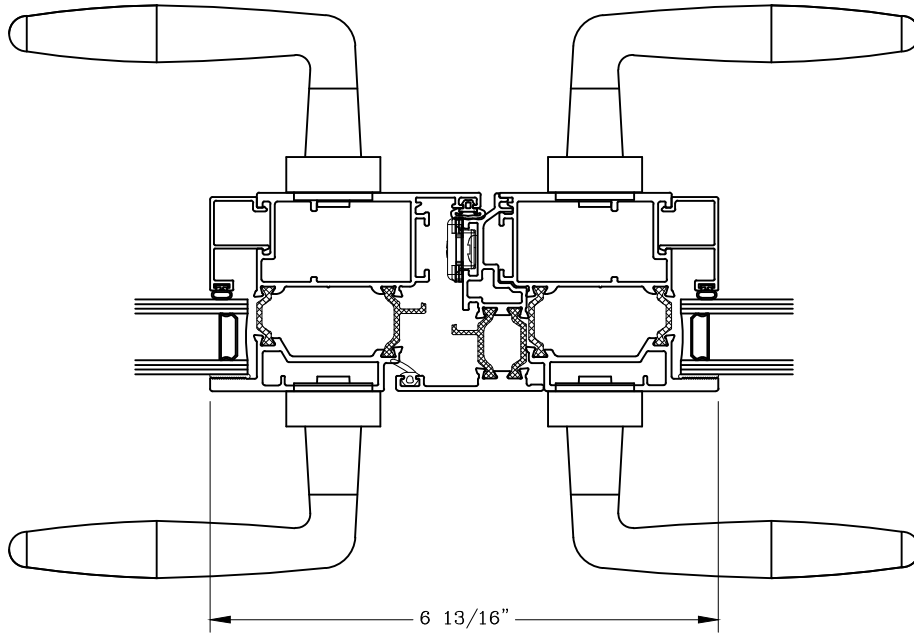
Note: Sealant Not Shown On Details. Consult Technical Services At Factory For Sealing Procedures.



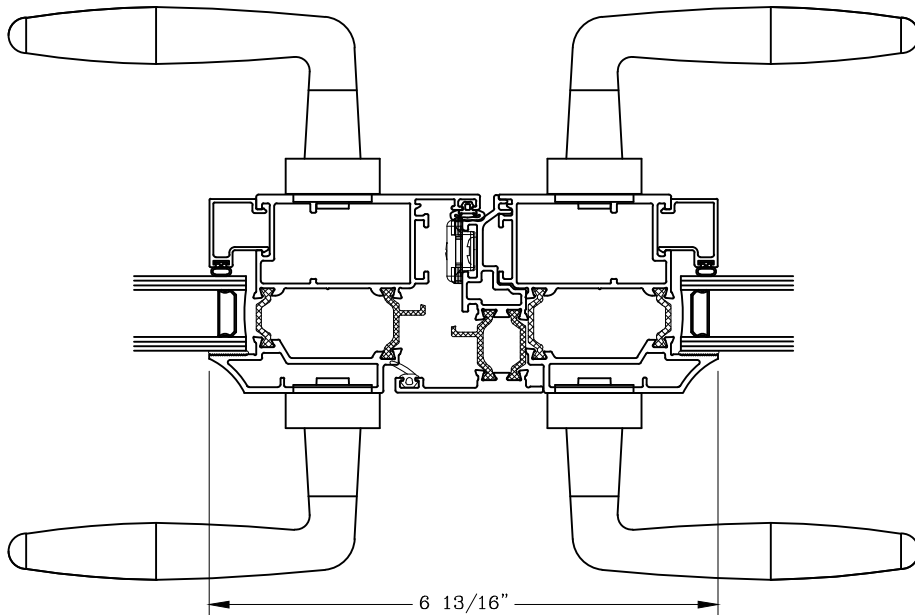
French Door Astragal

(See Page GT77.04 for Beveled Profile)

Flat Profile

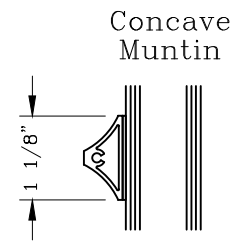
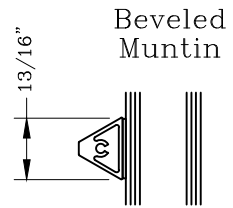


Concave Profile



Muntins

Contact Engineering
For Double or Triple
Muntins



Note: Dashed Lines Represent Inswing Vented Units; Solid Lines Represent
Outswing Vented Units; Lines Converge At Hinge Side Of Vent

Graham Architectural Products reserves the right to change, add, cancel, remove or otherwise modify the details illustrated without prior notice.

1551 Mt. Rose Avenue, York, Pennsylvania 17403-2909 800/755-6274 Fax: 800/366-5097

0521 – GT77.09

Web Site: www.grahamwindows.com