

Terrace Door Options Outswing



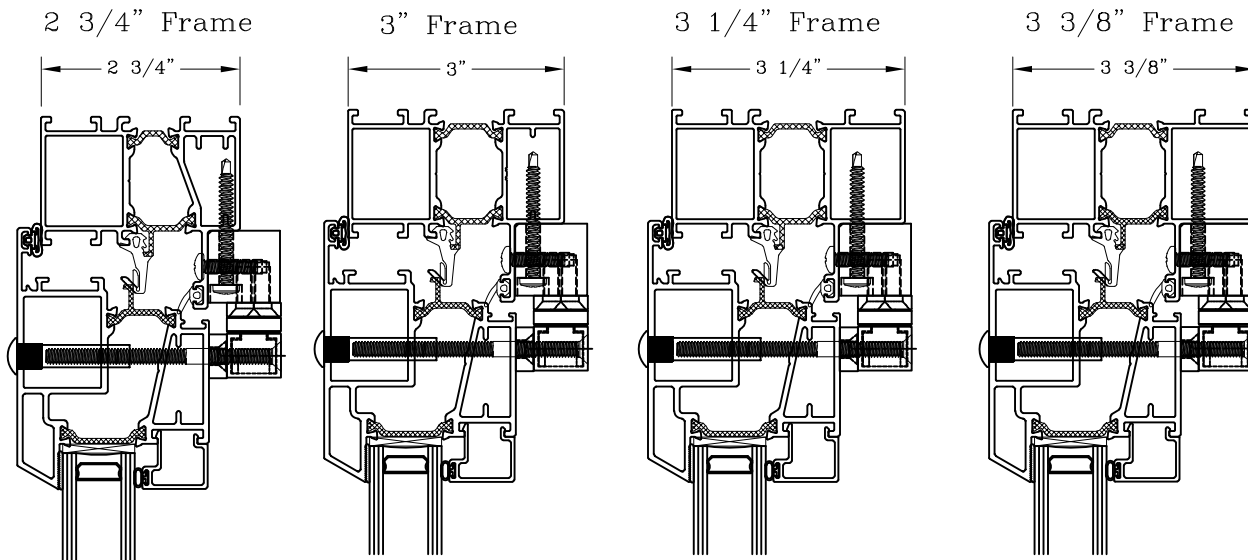
Series: GT7700

Manufacturing Code: GT7714

Drawing 1/2 Scale – For Custom Size Drawing Contact Graham

Note: Sealant Not Shown On Details. Refer To General Installation Instructions.

Door Frame Depth Options (Shown with required Friction Arm at Door Leaf top rail) (See Engineering for other possible arm options)

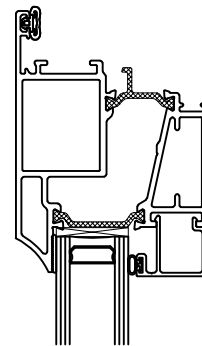
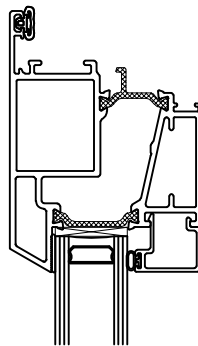
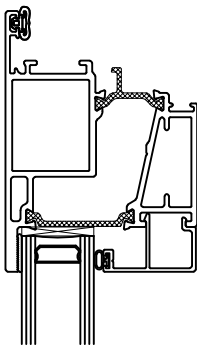


Door Leaf Profile Options

Flat Profile

Beveled Profile

Concave Profile



Note: Dashed Lines Represent Inswing Vented Units; Solid Lines Represent Outswing Vented Units; Lines Converge At Hinge Side Of Vent
Graham Architectural Products reserves the right to change, add, cancel, remove or otherwise modify the details illustrated without prior notice.

1551 Mt. Rose Avenue, York, Pennsylvania 17403-2909 717.849.8100 Toll Free: 800/755-6274

0423 - GT77.14

Web Site: www.grahamwindows.com