

Terrace Door Options

Outswing



Transoms & Sidelites

Series: GT7700

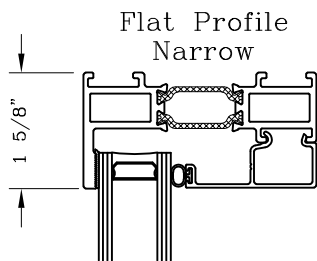
Manufacturing Code: GT7717

Drawing 1/2 Scale – For Custom Size Drawing Contact Graham

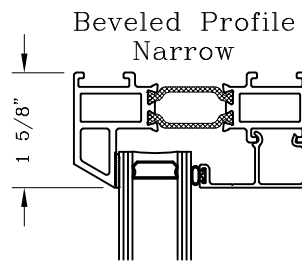
Note: Sealant Not Shown On Details. Refer To General Installation Instructions.

Transom & Sidelite Options

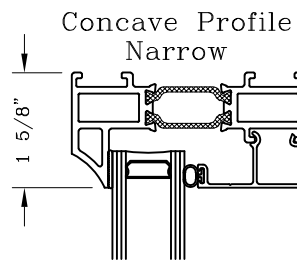
Available in 2 3/4", 3", 3 1/4" & 3 3/8" Frame Depths
(3 1/4" Frame Depth Transoms Shown)



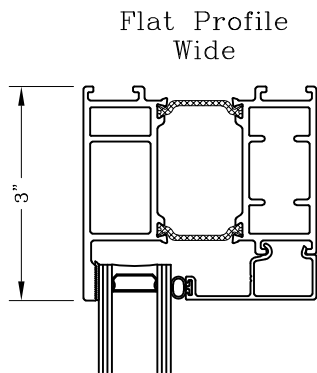
Flat Profile
Narrow



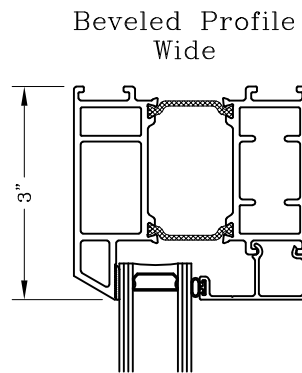
Beveled Profile
Narrow



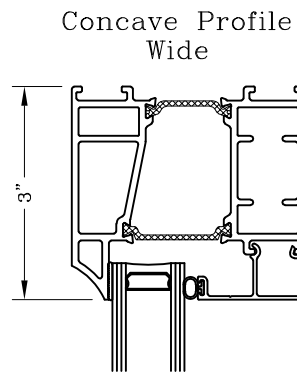
Concave Profile
Narrow



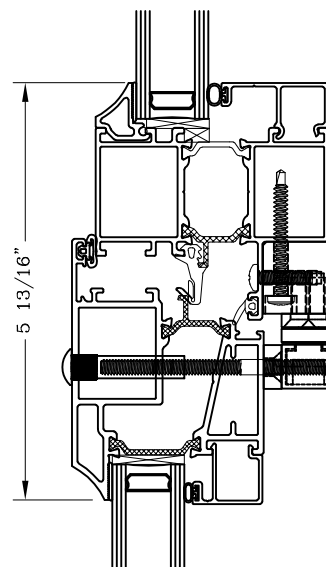
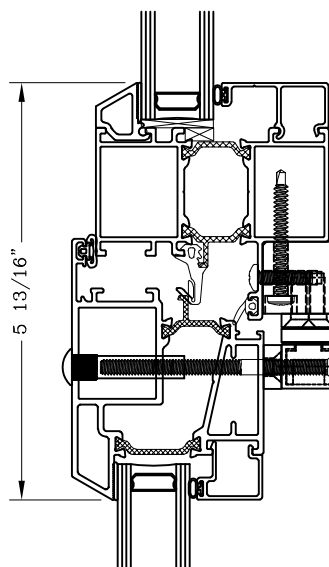
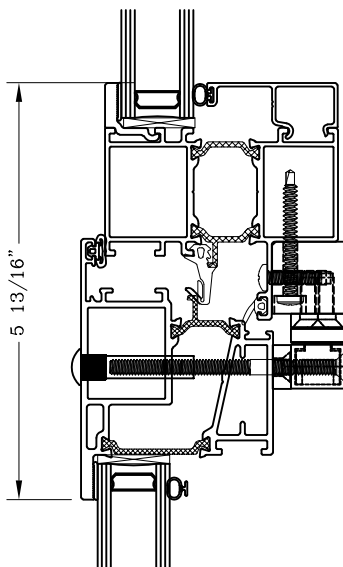
Flat Profile
Wide



Beveled Profile
Wide



Concave Profile
Wide



Note: Dashed Lines Represent Inswing Vented Units; Solid Lines Represent Outswing Vented Units; Lines Converge At Hinge Side Of Vent

Graham Architectural Products reserves the right to change, add, cancel, remove or otherwise modify the details illustrated without prior notice.

1551 Mt. Rose Avenue, York, Pennsylvania 17403-2909 717.849.8100 Toll Free: 800/755-6274

0423 – GT77.17

Web Site: www.grahamwindows.com