

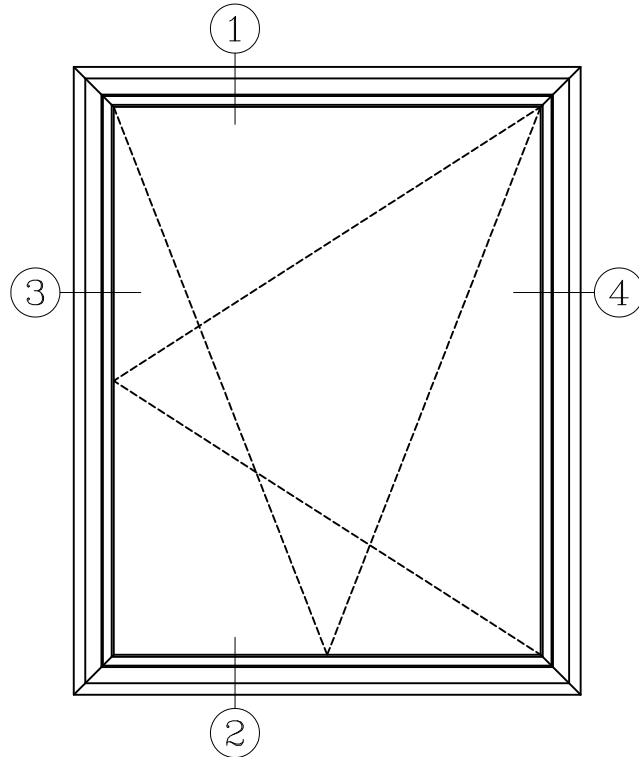
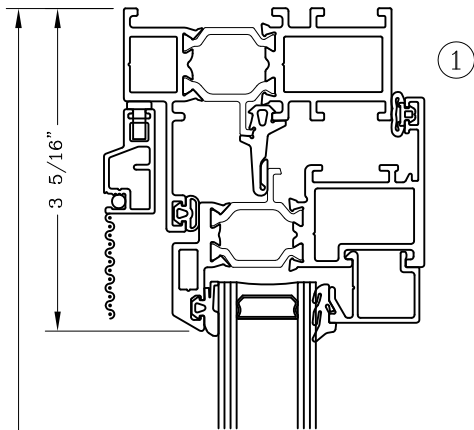
# Dual Action – 2 3/4” Tilt & Turn Project-In



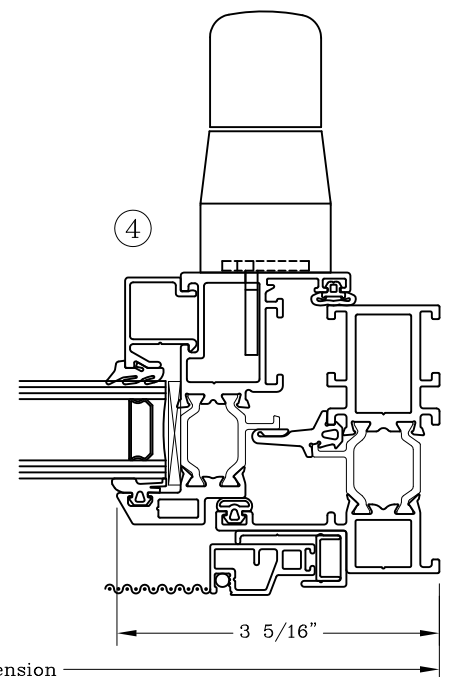
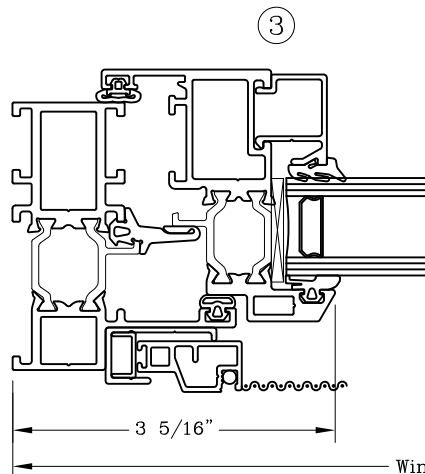
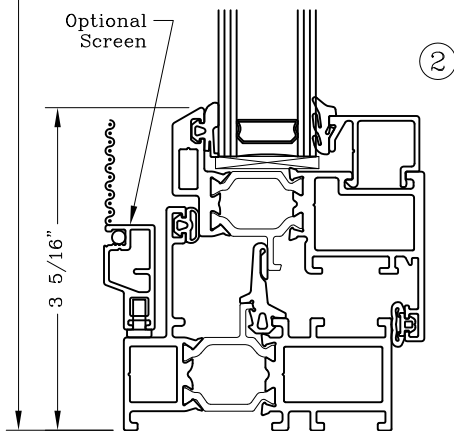
Series: GT7800 (Formerly: GTP7800) Manufacturing Code: GT7801.2750

Drawn 1/2 Scale – For Custom Size Drawings Contact Graham

Note: Sealant not shown on details. Consult Technical Services for sealing procedures



ELEVATION



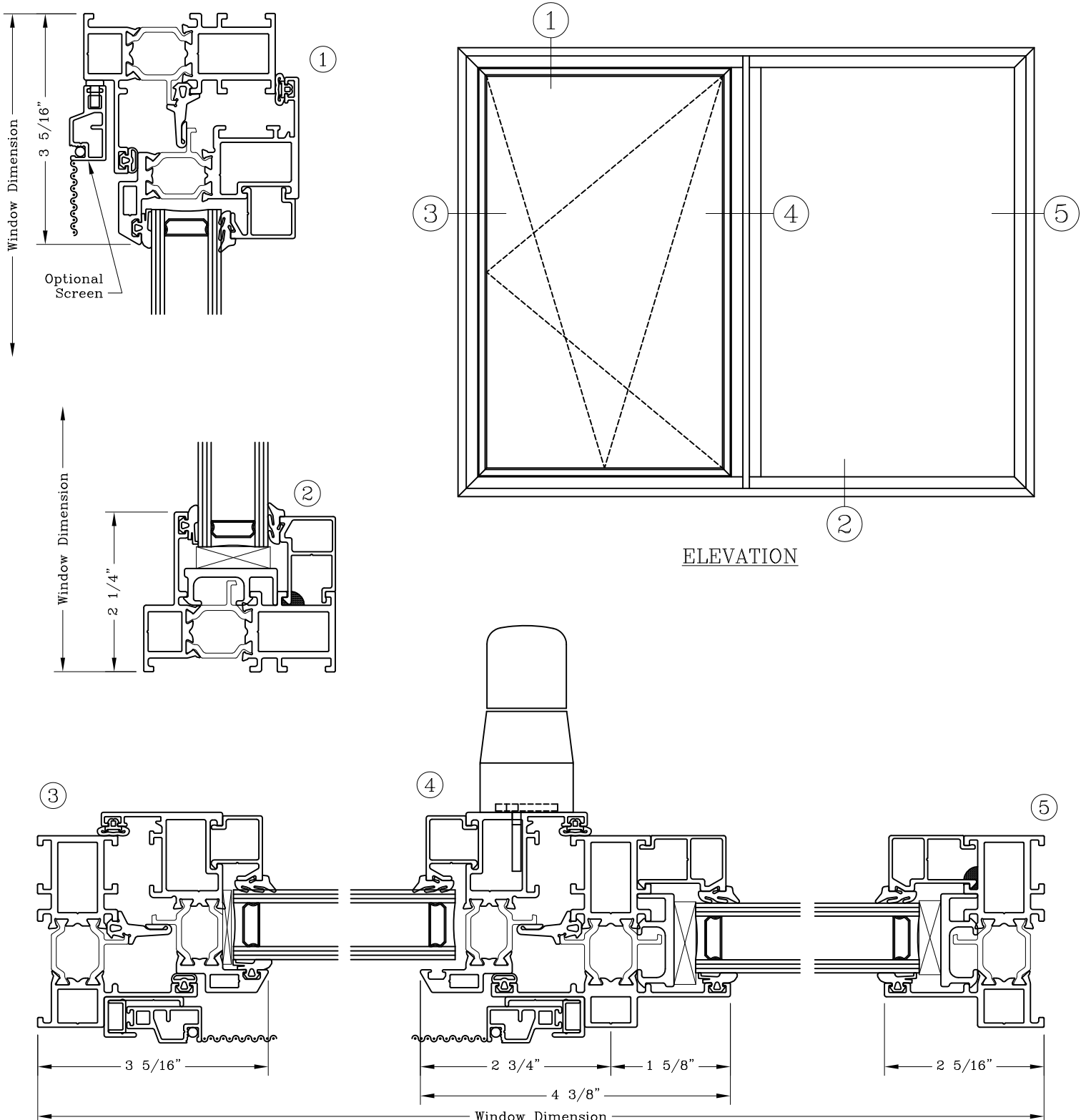
# Dual Action/Fixed - 2 3/4" Tilt&Turn Project-In



Series: GT7800 (Formerly: GTP7800) Manufacturing Code: GT7805.2750

Drawn 1/2 Scale - For Custom Size Drawings Contact Graham

Note: Sealant not shown on details. Consult Technical Services for sealing procedures



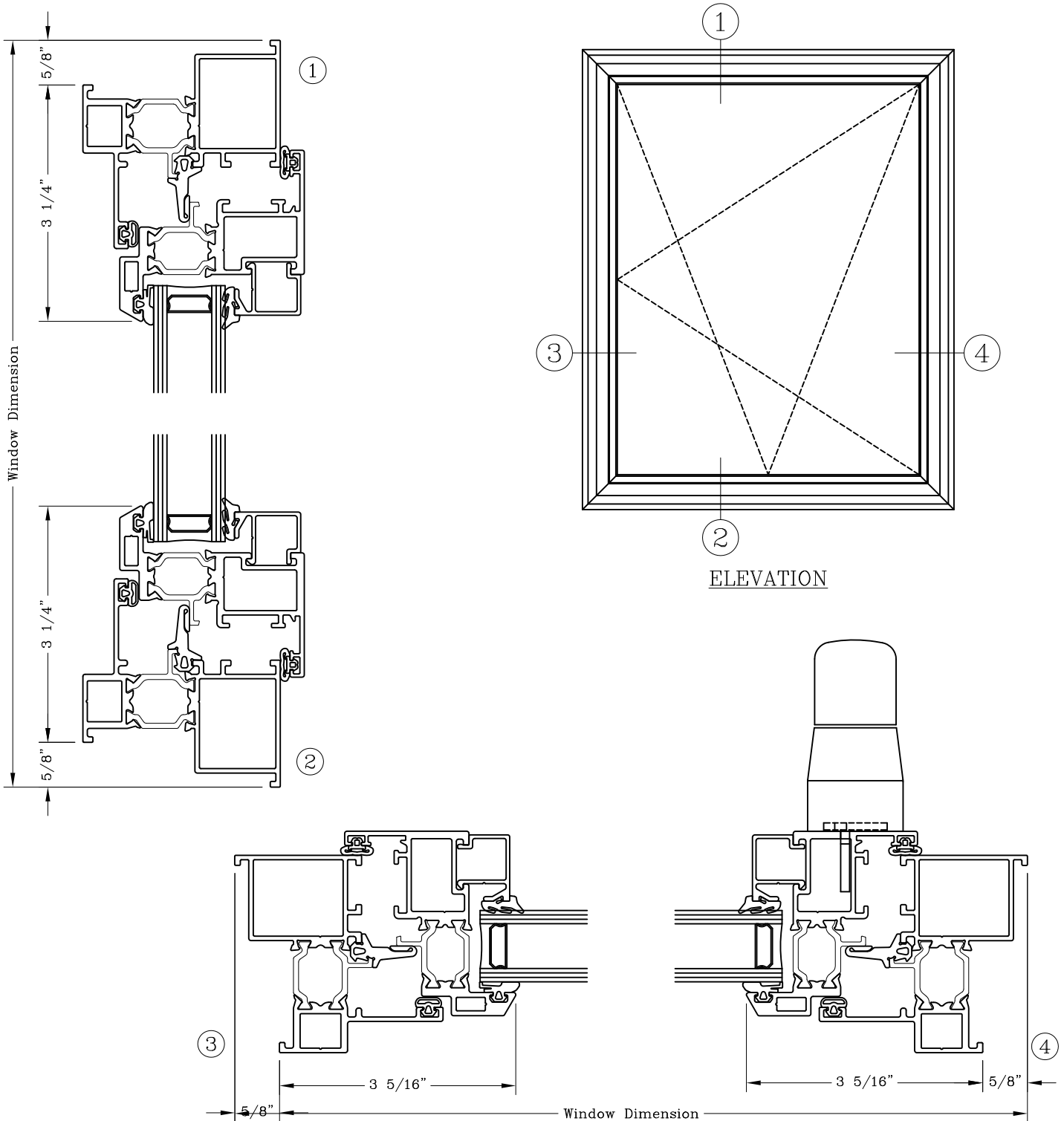
# Dual Action – 2 3/4” Tilt & Turn Project-In Offset Frame



Series: GT7800 (Formerly: GTP7800) MFG Code: GT7820.2750

Drawn 1/2 Scale – For Custom Size Drawings Contact Graham

Note: Sealant not shown on details. Consult Technical Services for sealing procedures



# Fixed/Vent/Fixed - 2 3/4" Tilt&Turn Project-In



Series: GT7800 (Formerly: GTP7800) Manufacturing Code: GT7828.2750

Drawn 1/2 Scale - For Custom Size Drawings Contact Graham

Note: Sealant not shown on details. Consult Technical Services for sealing procedures

