

Fixed Window – 4” Human Impact Window

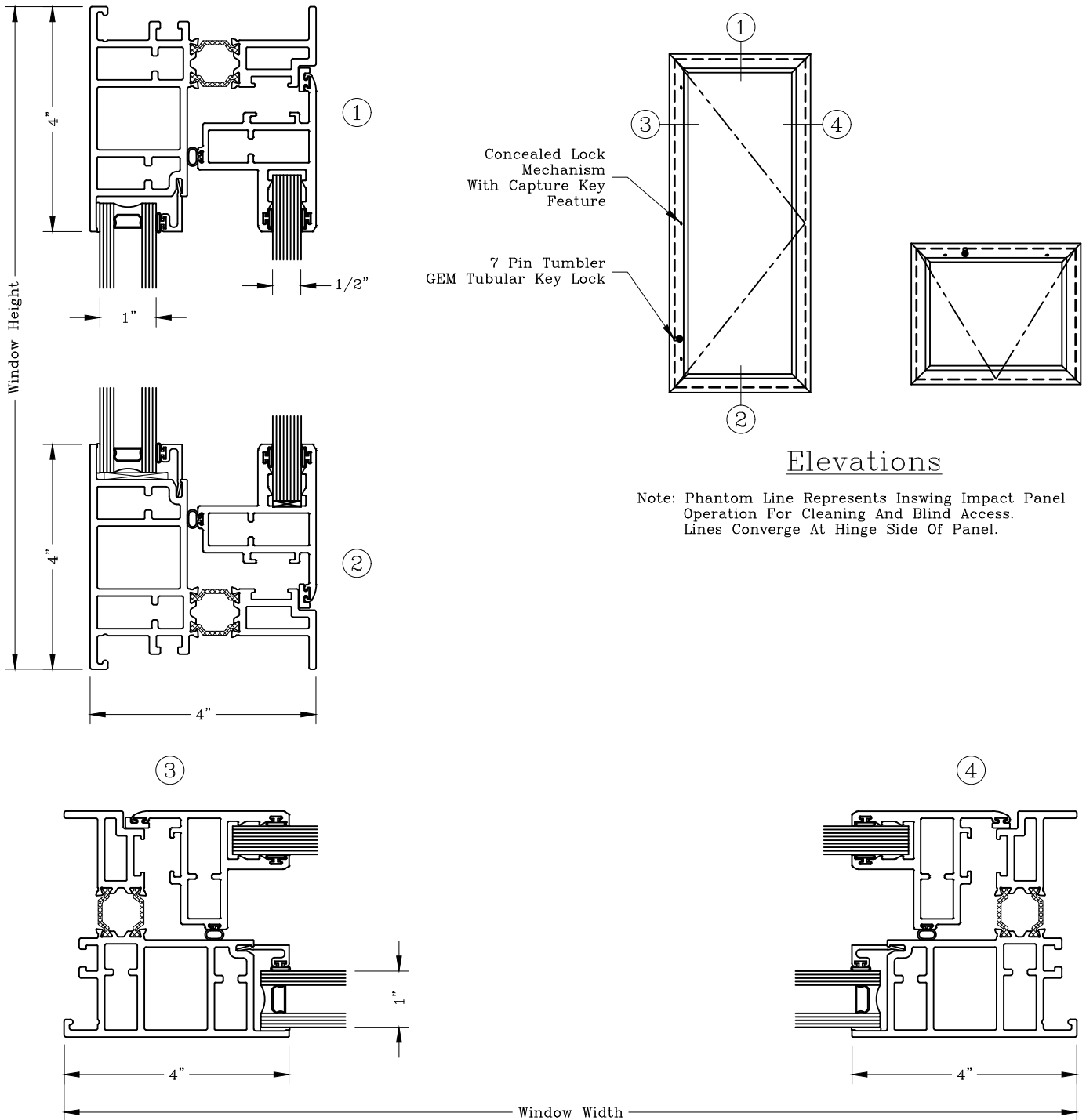


Series: S6300

Manufacturing Code: S6301

Drawing 1/2 Scale – For Custom Size Drawing Contact Graham

Note: Sealant Not Shown On Details. Refer To General Installation Instructions.



Fixed/Fixed Window – 4” Human Impact Window

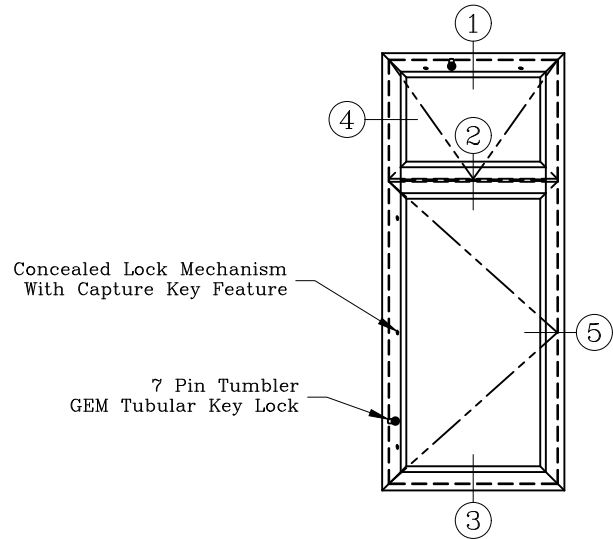
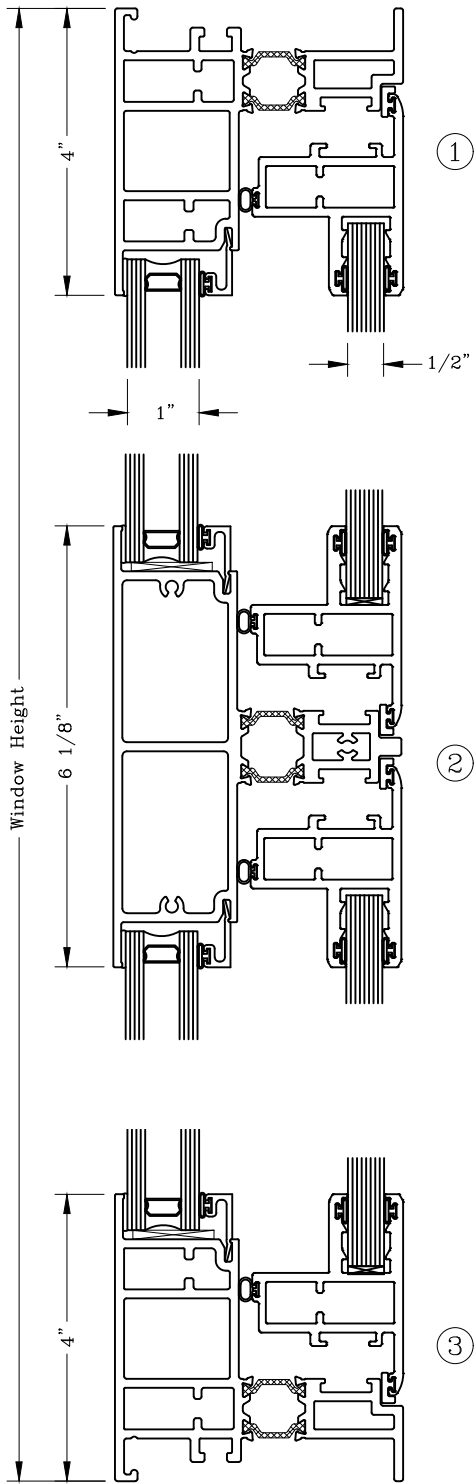


Series: S6300

Manufacturing Code: S6303

Drawing 1/2 Scale – For Custom Size Drawing Contact Graham

Note: Sealant Not Shown On Details. Refer To General Installation Instructions.

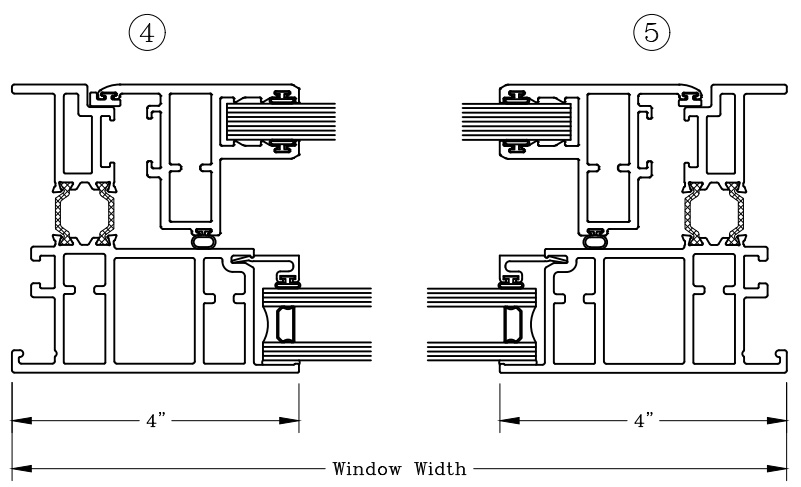


Concealed Lock Mechanism
With Capture Key Feature

7 Pin Tumbler
GEM Tubular Key Lock

Elevation

Note: Phantom Line Represents Inswing Impact Panel
Operation For Cleaning And Blind Access.
Lines Converge At Hinge Side Of Panel.



Graham Architectural Products reserves the right to change, add, cancel, remove or otherwise modify the details illustrated without prior notice.

1551 Mt. Rose Avenue, York, Pennsylvania 17403-2909 717.849.8100 Toll Free: 800/755-6274

0223 – S63.03

Web Site: www.grahamwindows.com

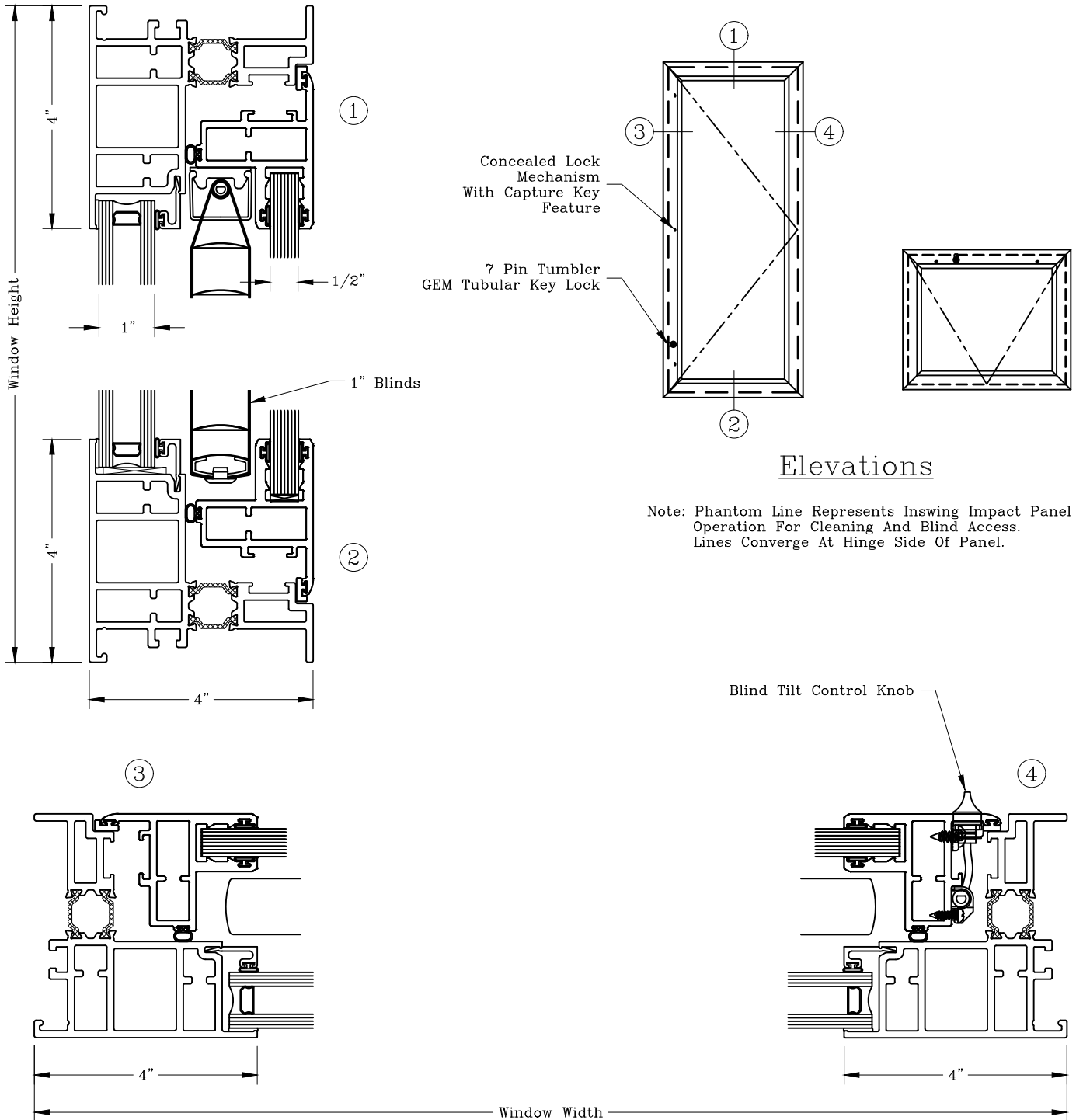
Fixed - 4"
 Human Impact Window
 1" Blind Option
 Series: S6300



Manufacturing Code: S6312

Drawing 1/2 Scale - For Custom Size Drawing Contact Graham

Note: Sealant Not Shown On Details. Refer To General Installation Instructions.



Elevations

Note: Phantom Line Represents Inswing Impact Panel Operation For Cleaning And Blind Access. Lines Converge At Hinge Side Of Panel.

Curtain Wall Overlay Panel Human Impact Window

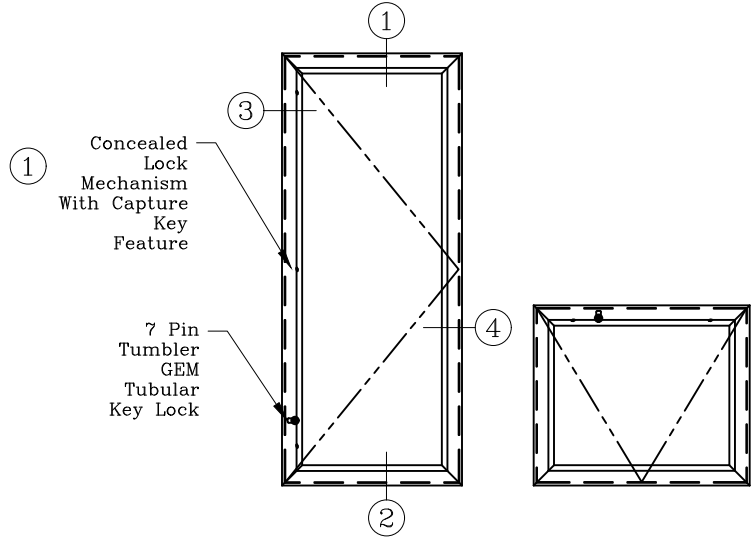
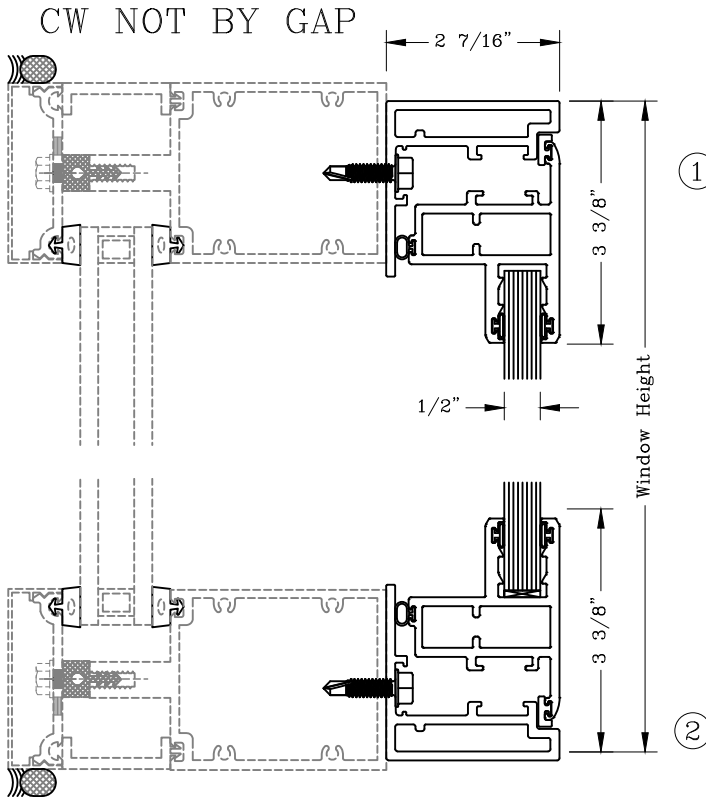


Series: S6300

Manufacturing Code: S6315

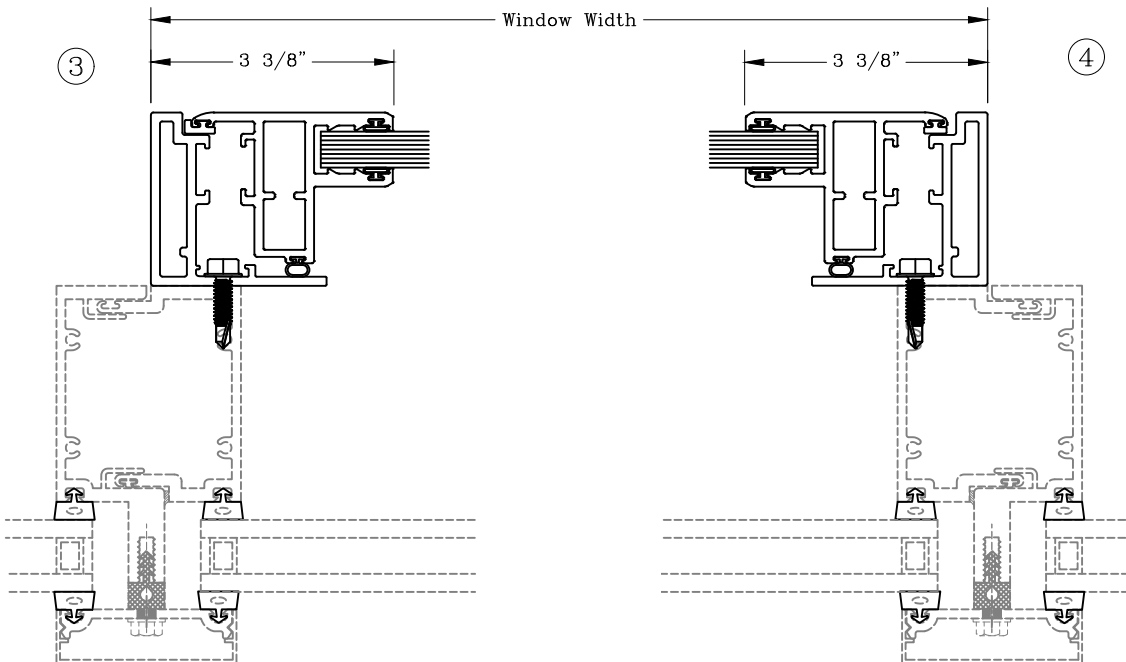
Drawing 1/2 Scale – For Custom Size Drawing Contact Graham

Note: Sealant Not Shown On Details. Refer To General Installation Instructions.



Elevations

Note: Phantom Line Represents Inswing Impact Panel Operation For Cleaning And Blind Access. Lines Converge At Hinge Side Of Panel.



Graham Architectural Products reserves the right to change, add, cancel, remove or otherwise modify the details illustrated without prior notice.

1551 Mt. Rose Avenue, York, Pennsylvania 17403-2909 717.849.8100 Toll Free: 800/755-6274 0526 - S63.15

Web Site: www.grahamwindows.com

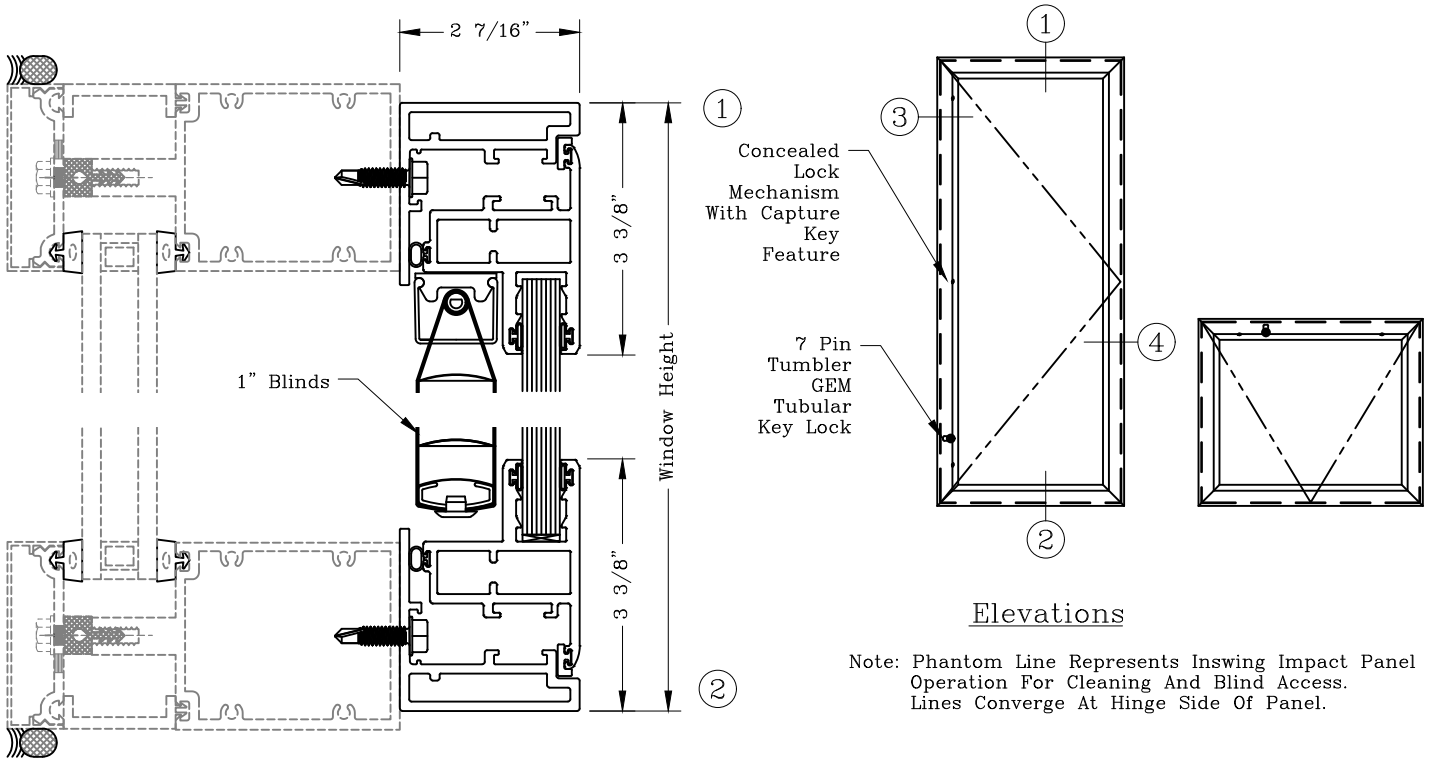
Curtain Wall Overlay Panel Human Impact Window 1" Blind Option Series: S6300



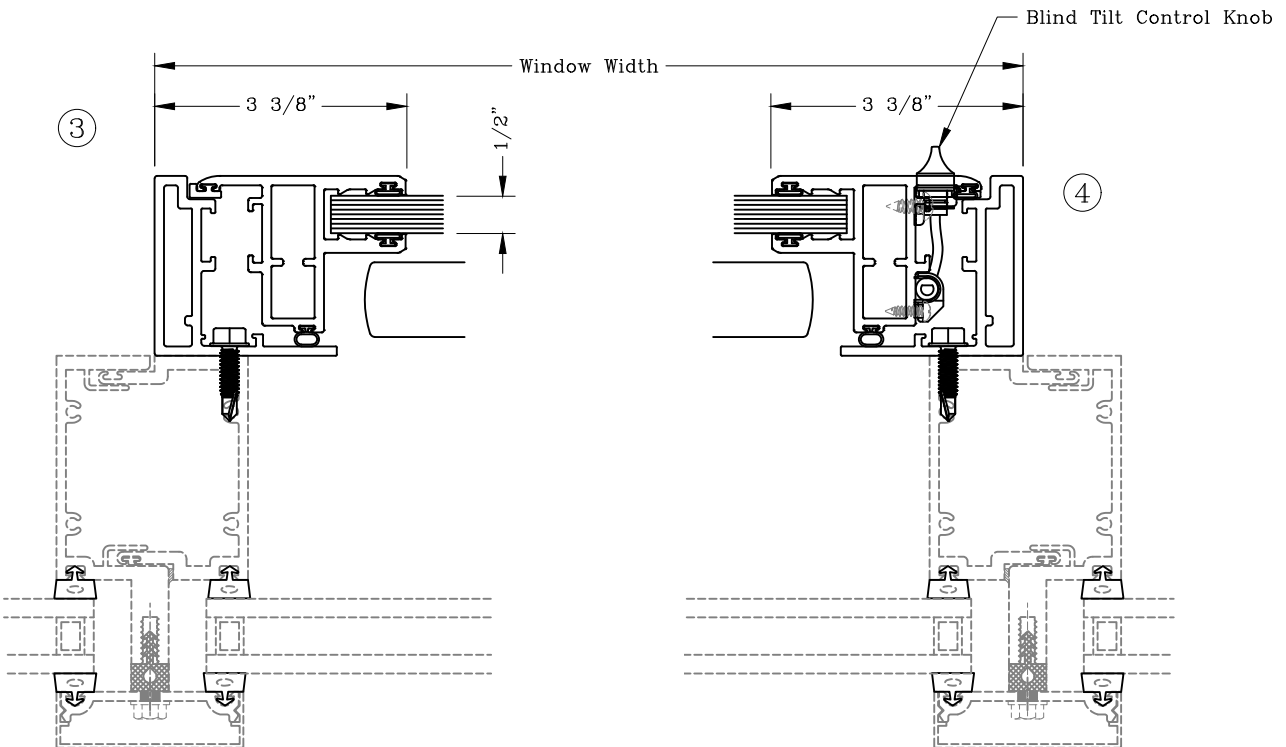
Manufacturing Code: S6316

Drawing 1/2 Scale – For Custom Size Drawing Contact Graham

Note: Sealant Not Shown On Details. Refer To General Installation Instructions.



CW NOT BY GAP



Graham Architectural Products reserves the right to change, add, cancel, remove or otherwise modify the details illustrated without prior notice.

1551 Mt. Rose Avenue, York, Pennsylvania 17403-2909 717.849.8100 Toll Free: 800/755-6274

0528 - S63.16

Web Site: www.grahamwindows.com

Curtain Wall Inset Panel Human Impact Window

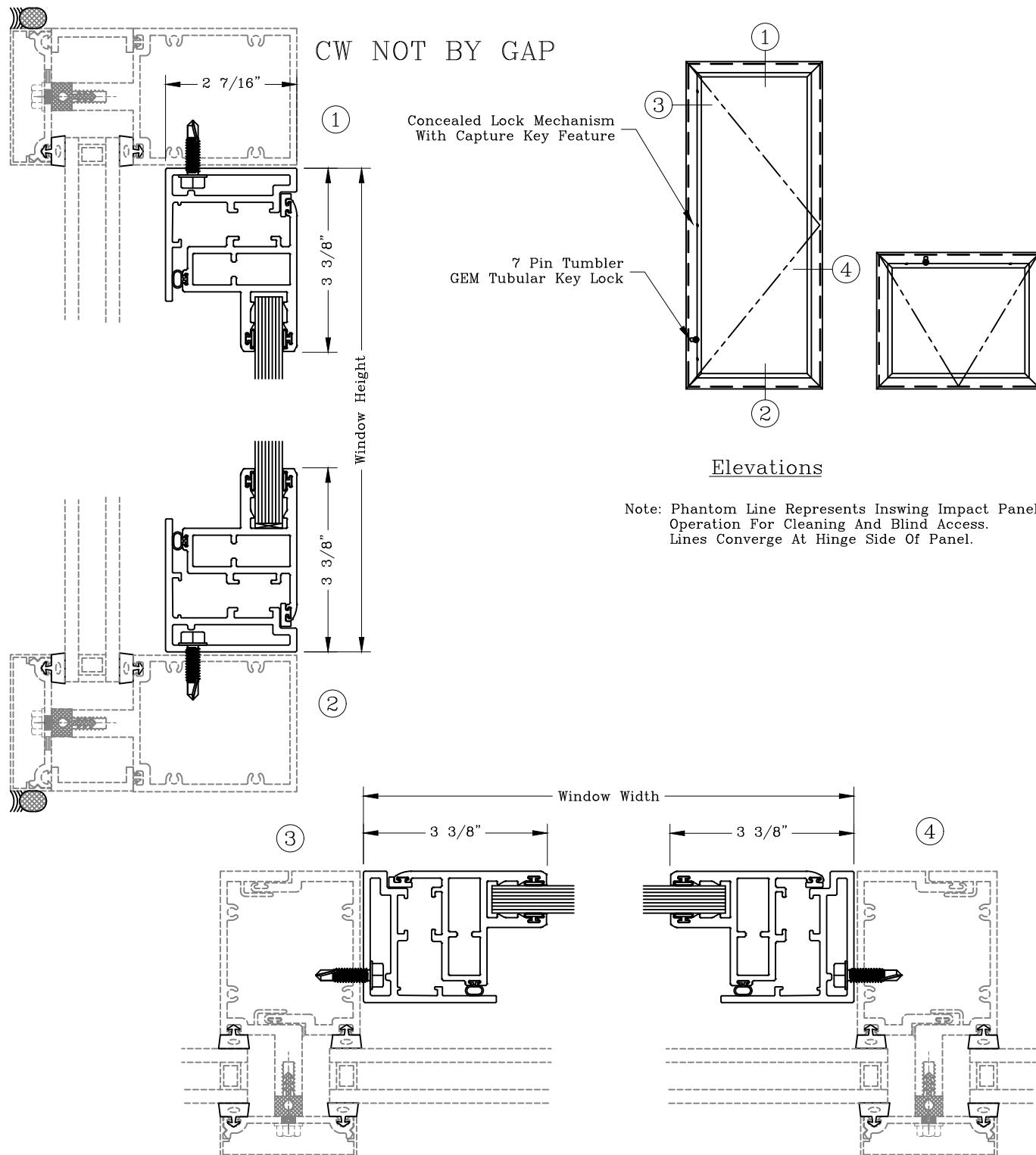


Series: S6300

Manufacturing Code: S6317

Drawing 1/2 Scale – For Custom Size Drawing Contact Graham

Note: Sealant Not Shown On Details. Refer To General Installation Instructions.



Graham Architectural Products reserves the right to change, add, cancel, remove or otherwise modify the details illustrated without prior notice.

1551 Mt. Rose Avenue, York, Pennsylvania 17403-2909 717.849.8100 Toll Free: 800/755-6274

0526 - S63.17

Web Site: www.grahamwindows.com

Curtain Wall Inset Panel Human Impact Window 1" Blind Option

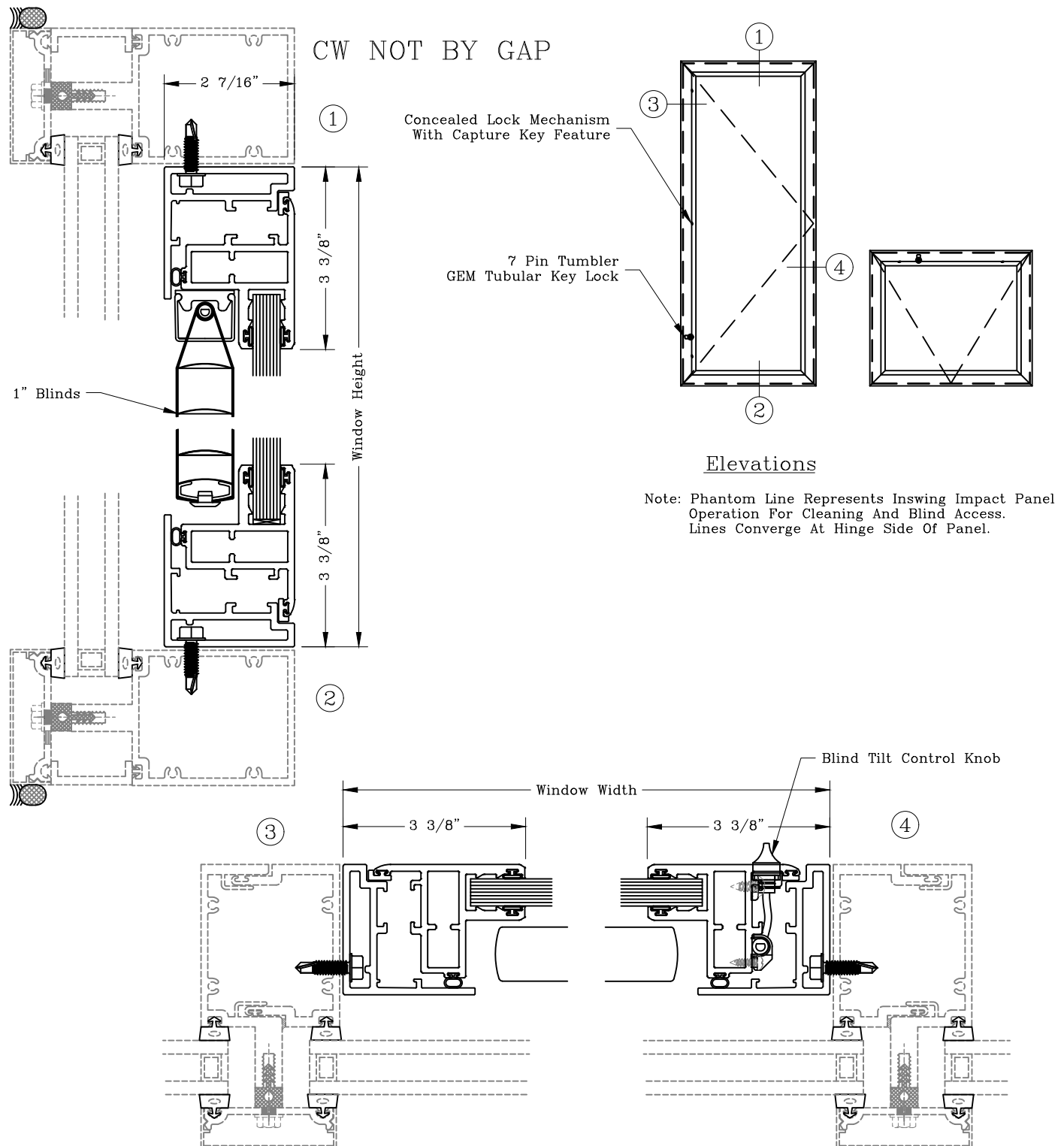


Series: S6300

Manufacturing Code: S6318

Drawing 1/2 Scale – For Custom Size Drawing Contact Graham

Note: Sealant Not Shown On Details. Refer To General Installation Instructions.



Graham Architectural Products reserves the right to change, add, cancel, remove or otherwise modify the details illustrated without prior notice.

1551 Mt. Rose Avenue, York, Pennsylvania 17403-2909 717.849.8100 Toll Free: 800/755-6274

0526 - S63.18

Web Site: www.grahamwindows.com

Fixed Frame Option – 4” Human Impact Window

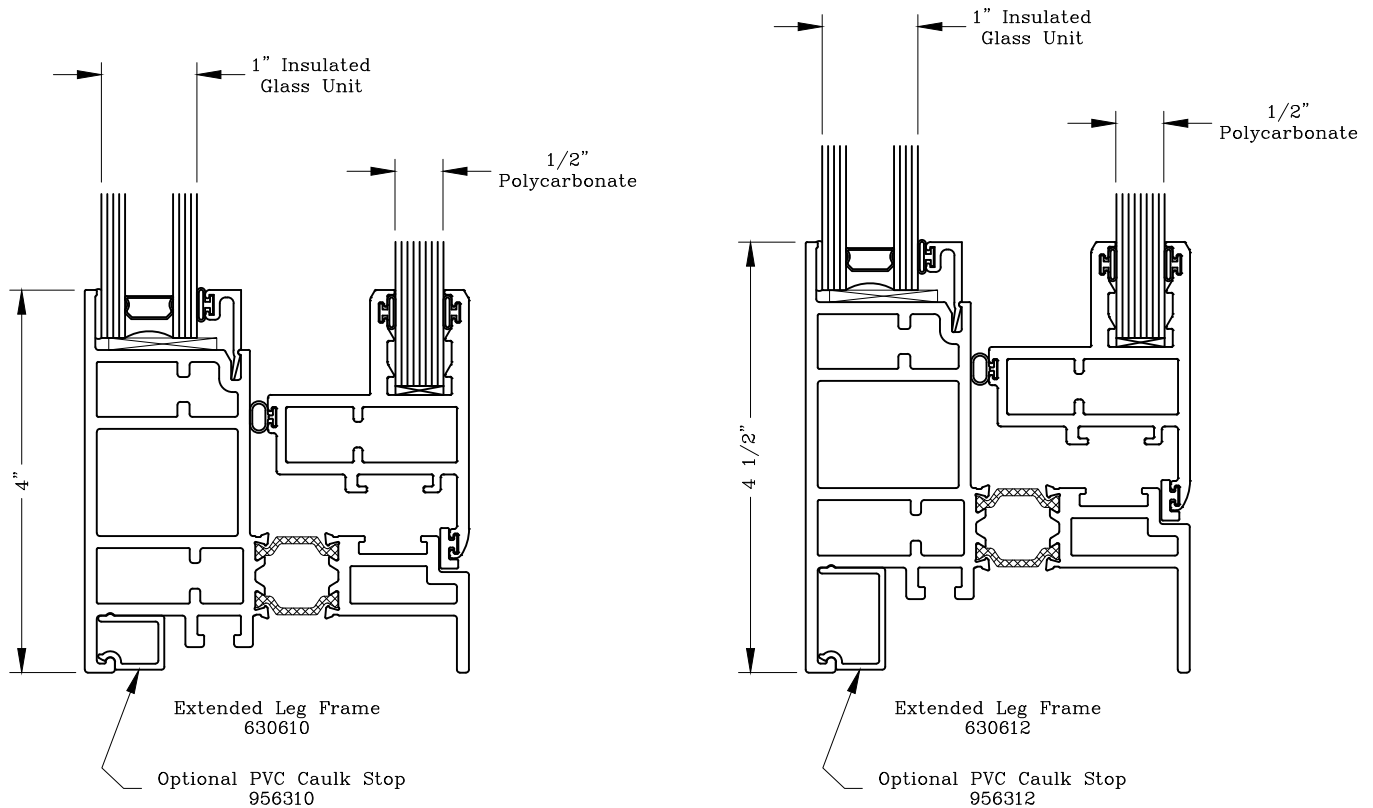


Series: S6300

Manufacturing Code:

Drawing 1/2 Scale – For Custom Size Drawing Contact Graham

Note: Sealant Not Shown On Details. Refer To General Installation Instructions.



Operational Locks Human Impact Window

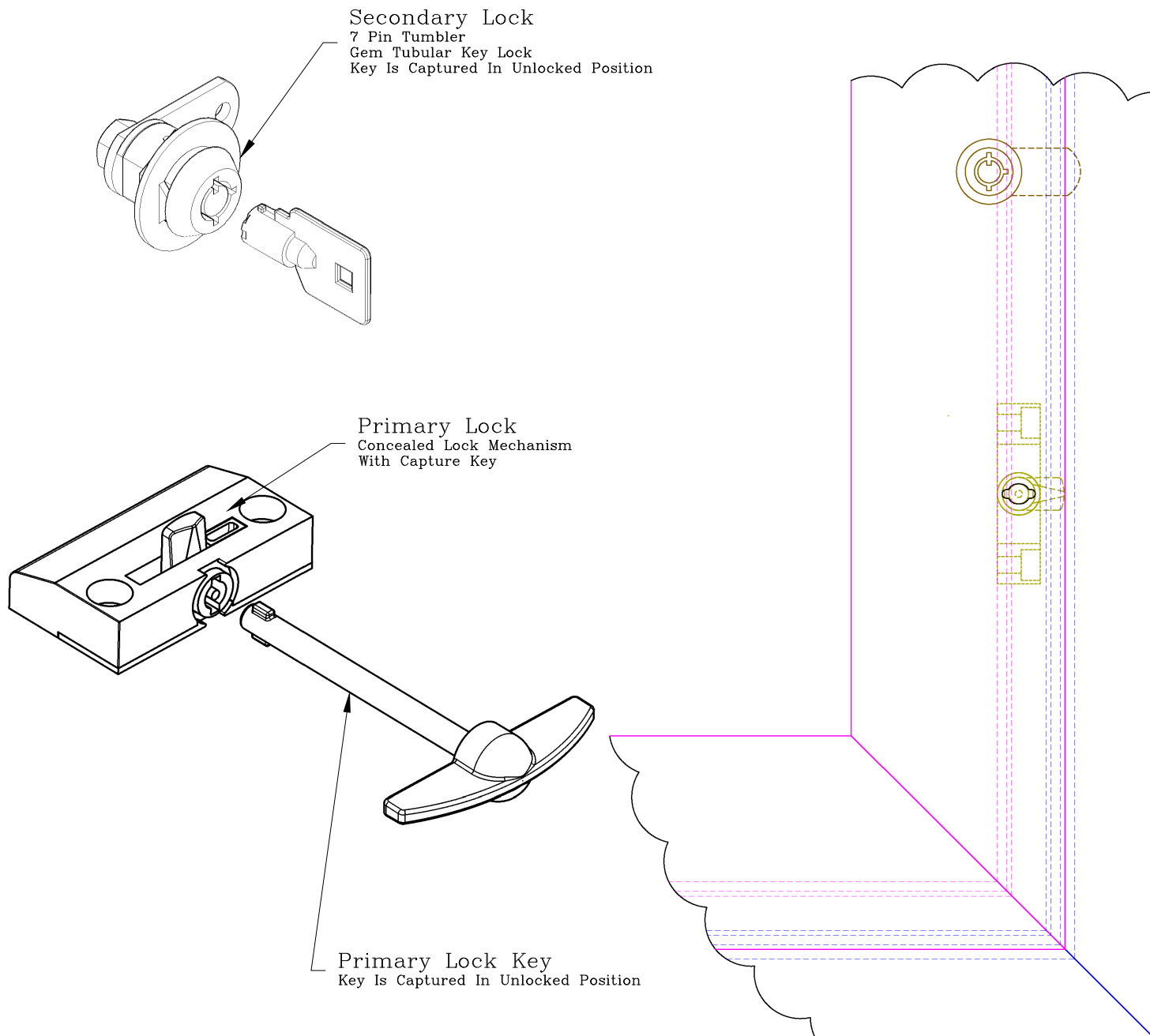


Series: S6300

Manufacturing Code:

Drawing 1/2 Scale – For Custom Size Drawing Contact Graham

Note: Sealant Not Shown On Details. Refer To General Installation Instructions.



Graham Architectural Products reserves the right to change, add, cancel, remove or otherwise modify the details illustrated without prior notice.

1551 Mt. Rose Avenue, York, Pennsylvania 17403-2909 717.849.8100 Toll Free: 800/755-6274

0526 – S63.25

Web Site: www.grahamwindows.com

Installation Anchoring Human Impact Window

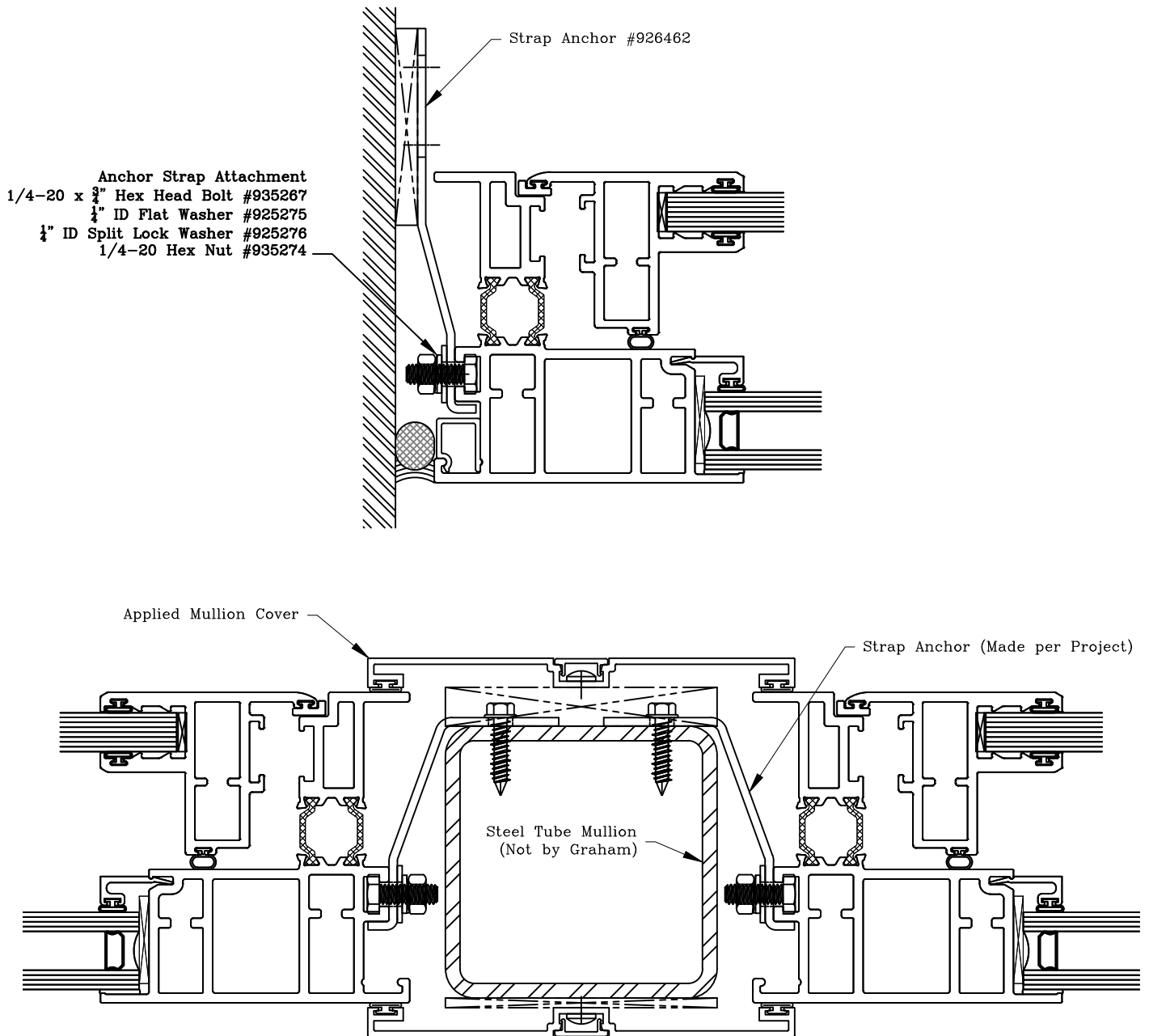


Series: S6300

Manufacturing Code:

Drawing 1/2 Scale – For Custom Size Drawing Contact Graham

Note: Sealant Not Shown On Details. Refer To General Installation Instructions.



Details Shown Are For Concept Proposal Only
Contact Graham Architectural Products For Job Specific Installation
Anchoring Proposal Details Based On Building Conditions

Graham Architectural Products reserves the right to change, add, cancel, remove or otherwise modify the details illustrated without prior notice.

1551 Mt. Rose Avenue, York, Pennsylvania 17403-2909 717.849.8100 Toll Free: 800/755-6274

Web Site: www.grahamwindows.com

0526 - S63.26

Installation Anchoring Human Impact Window

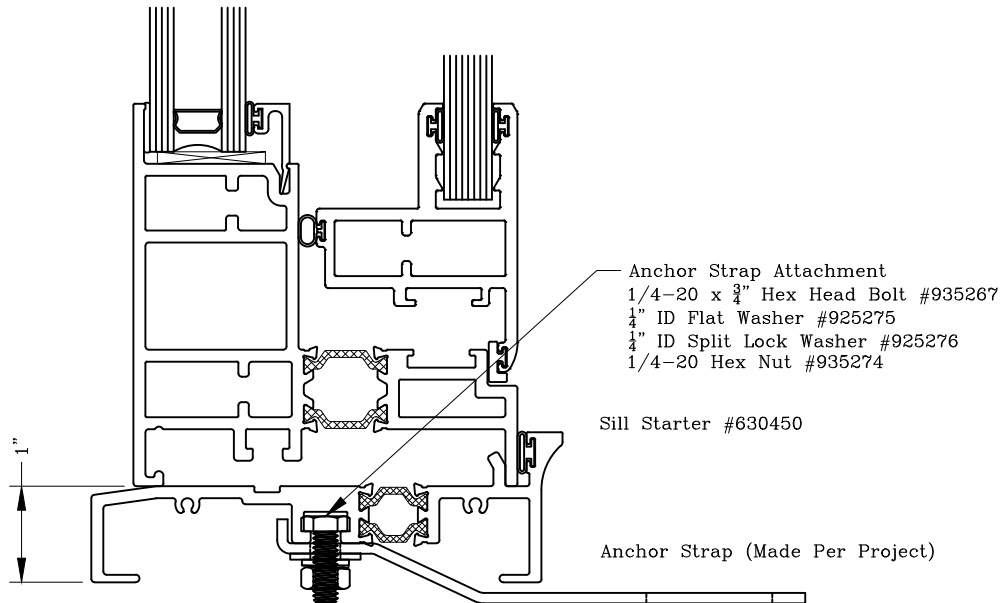
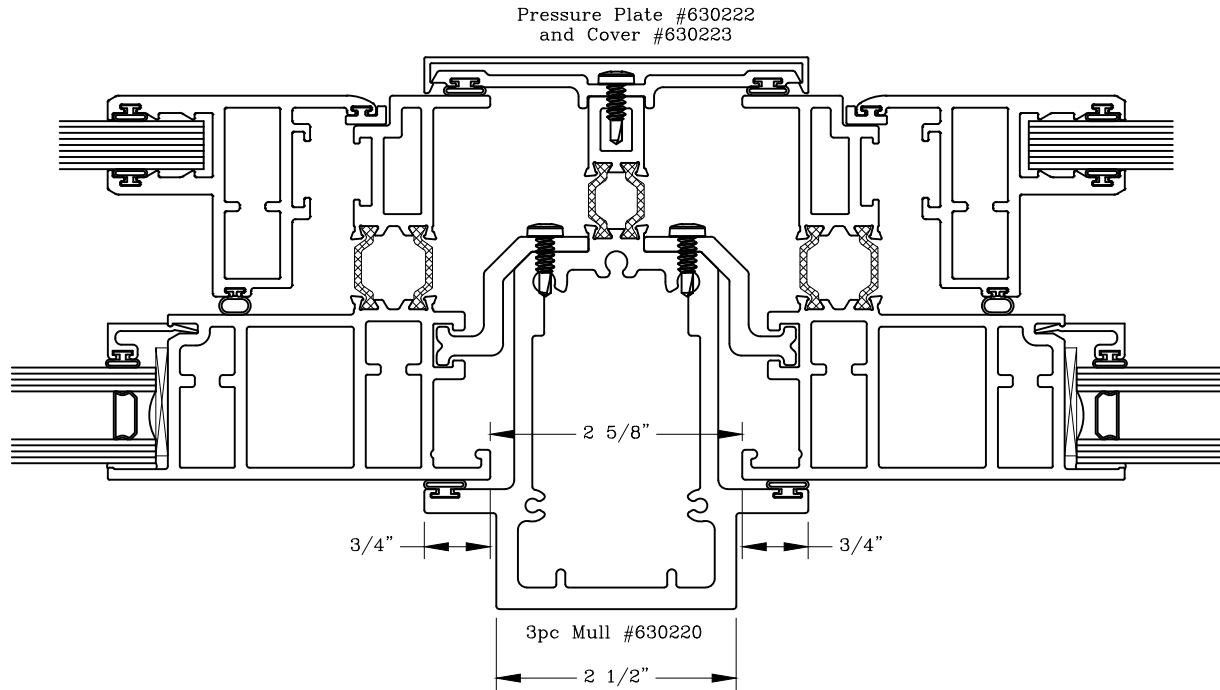


Series: S6300

Manufacturing Code:

Drawing 1/2 Scale – For Custom Size Drawing Contact Graham

Note: Sealant Not Shown On Details. Refer To General Installation Instructions.



Details Shown Are For Concept Proposal Only
Contact Graham Architectural Products For Job Specific Installation
Anchoring Proposal Details Based On Building Conditions

Graham Architectural Products reserves the right to change, add, cancel, remove or otherwise modify the details illustrated without prior notice.

1551 Mt. Rose Avenue, York, Pennsylvania 17403-2909 717.849.8100 Toll Free: 800/755-6274

Web Site: www.grahamwindows.com

0526 - S63.27