

Hurricane Impact – 4” Sliding Glass Door

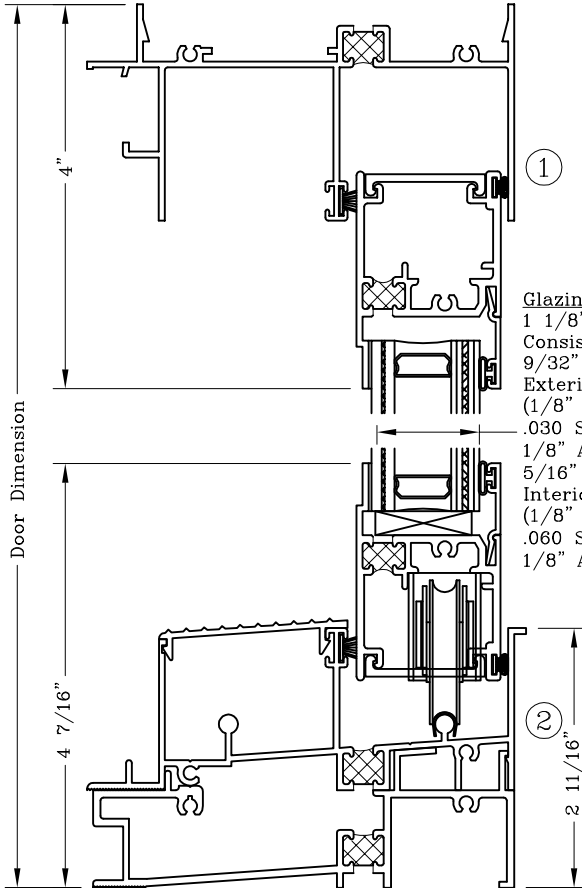


Series: HI0900

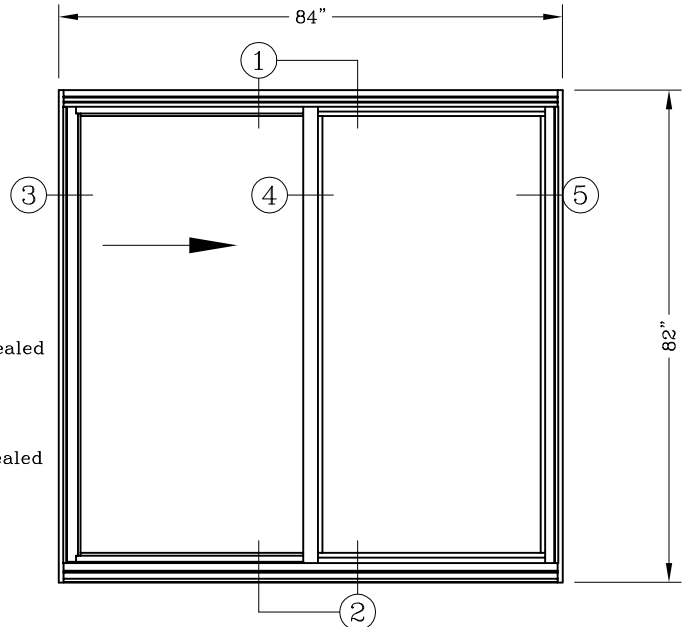
Manufacturing Code: HI0902

Drawing 1/2 Scale – For Custom Size Drawing Contact Graham

Note: Sealant Not Shown On Details. Consult Technical Services At Factory For Sealing Procedures.



Glazing To Be:
1 1/8" Lami
Consisting Of:
9/32" Thick Annealed
Exterior
(1/8" Annealed/
.030 SGP/
1/8" Annealed)
5/16" Thick Annealed
Interior
(1/8" Annealed/
.060 SGP/
1/8" Annealed)



ELEVATION
XO Shown
84" x 82" Tested

INSTALLATION TYPES

1. Through Frame Anchors At Head And Jamb.
 2. Trim Clip Across Sill.
- (Reference Test Report #C8600.01-109-44)

