

# Hurricane Impact – 4” Fixed (Small Missile)

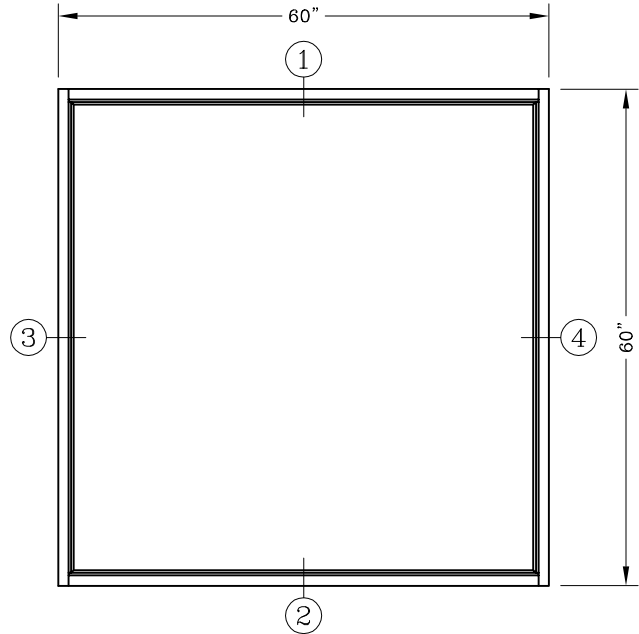
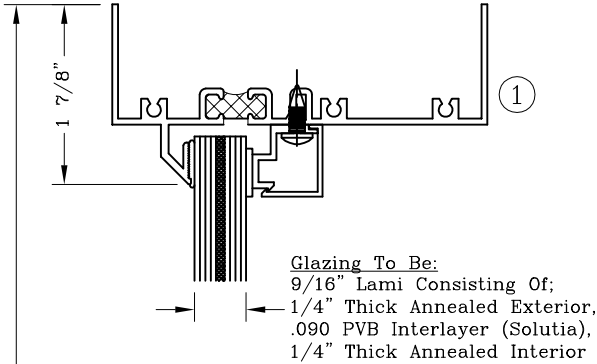


Series: HI1400

Manufacturing Code: HI1401

Drawing 1/2 Scale – For Custom Size Drawing Contact Graham

Note: Sealant Not Shown On Details. Consult Technical Services At Factory For Sealing Procedures.

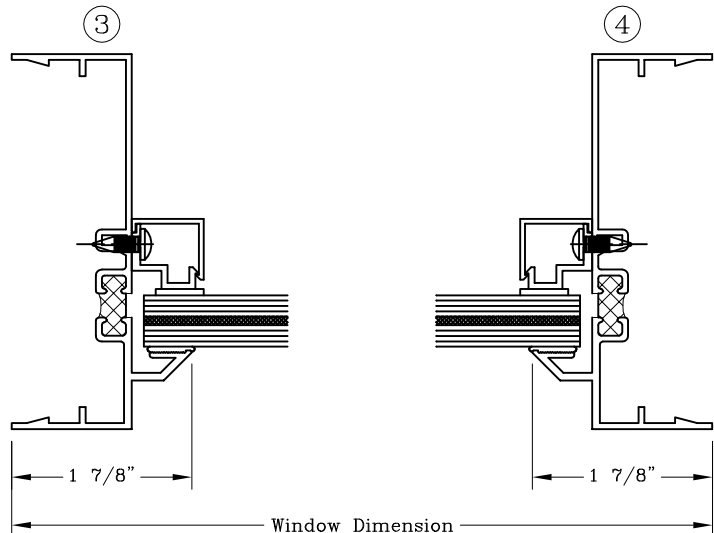
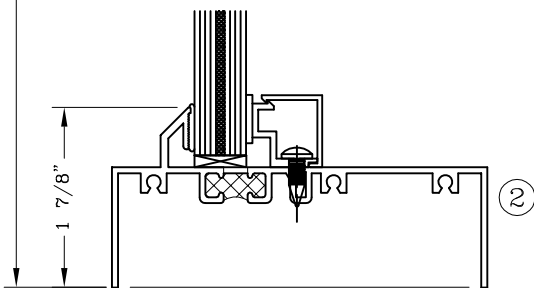


ELEVATION  
60" x 60" Tested

INSTALLATION TYPES

1. Trim And Clip  
(Reference Test Report #01-43222.03)

Window Dimension



Window Dimension

# Hurricane Impact – 4” Historic Fixed (Large Missile)

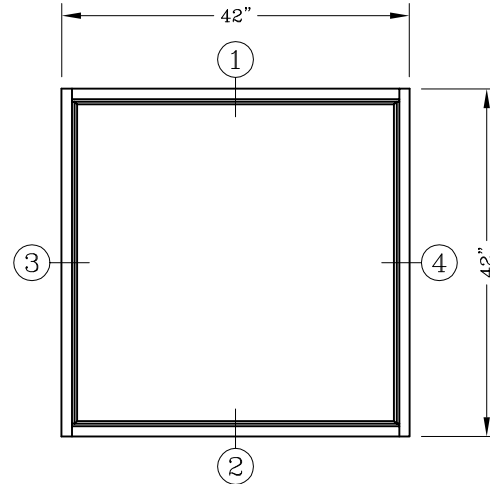
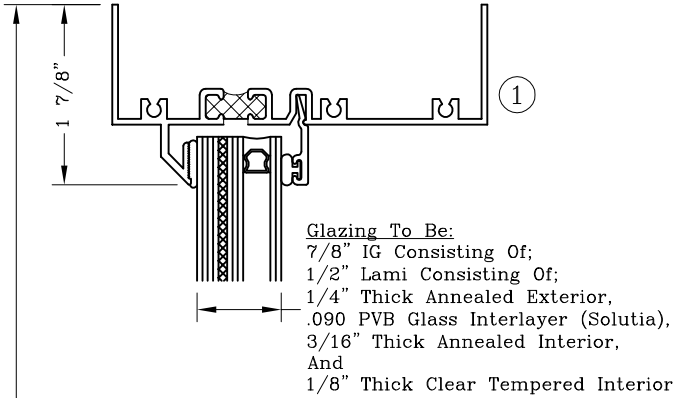


Series: HI1400

Manufacturing Code: HI1403

Drawing 1/2 Scale – For Custom Size Drawing Contact Graham

Note: Sealant Not Shown On Details. Consult Technical Services At Factory For Sealing Procedures.



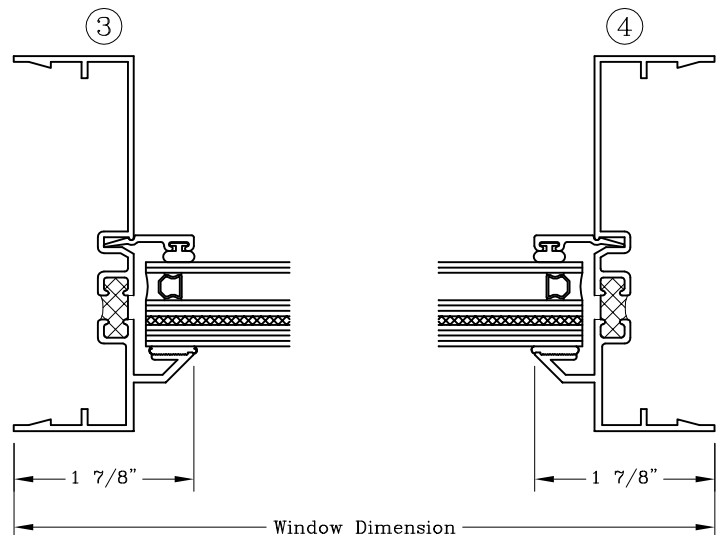
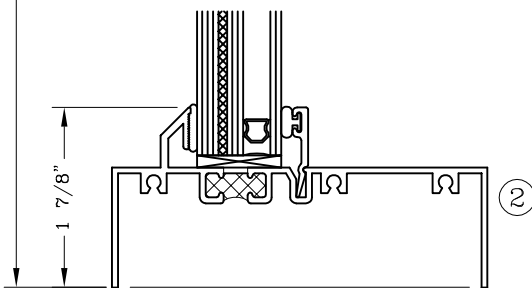
ELEVATION  
42" x 42" Tested

### INSTALLATION TYPES

1. Trim And Clip

(Reference Test Report #53501.01-122-18)

Window Dimension



# Hurricane Impact – 4” Historic Fixed

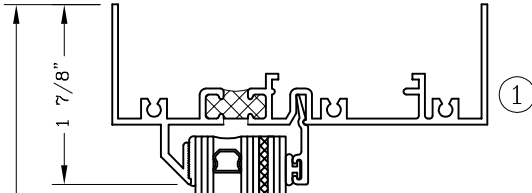


Series: HI1400

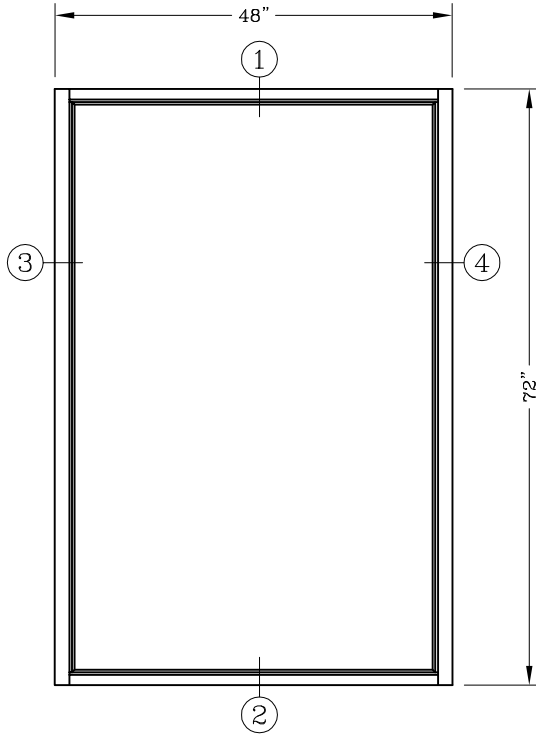
Manufacturing Code: HI1404

Drawing 1/2 Scale – For Custom Size Drawing Contact Graham

Note: Sealant Not Shown On Details. Consult Technical Services At Factory For Sealing Procedures.



Glazing To Be:  
 15/16" IG Consisting Of;  
 3/16" Thick Clear Annealed Exterior,  
 and  
 7/16" Lami Interior Consisting Of:  
 3/16" Thick Annealed Exterior,  
 .090 (Saflex) PVB Interlayer,  
 3/16" Thick Annealed Interior



ELEVATION  
 48" x 72" Tested

INSTALLATION TYPES

1. Trim And Clip  
 (Reference Test Report #C6500.01-109-44)

Window Dimension

