

Hurricane Impact – 4” Fixed (Small Missile)

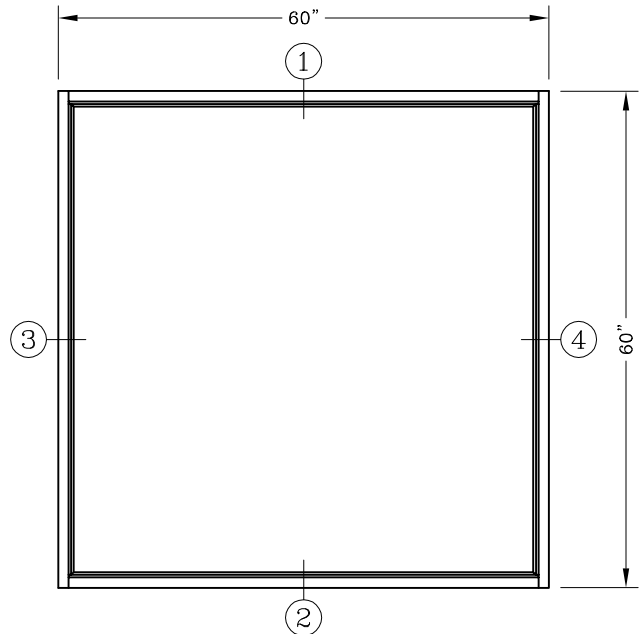
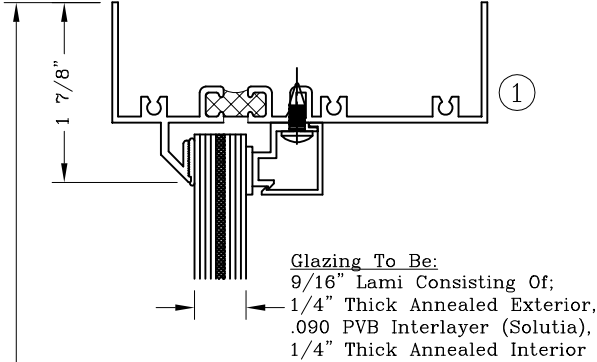


Series: HI1400

Manufacturing Code: HI1401

Drawing 1/2 Scale – For Custom Size Drawing Contact Graham

Note: Sealant Not Shown On Details. Consult Technical Services At Factory For Sealing Procedures.



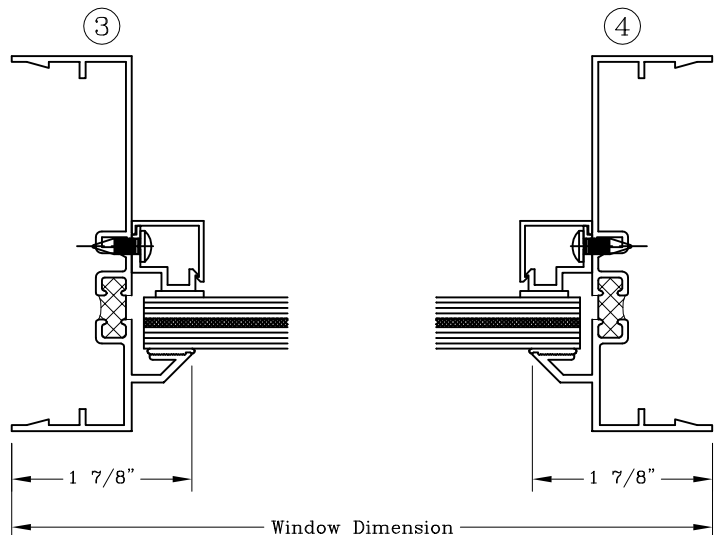
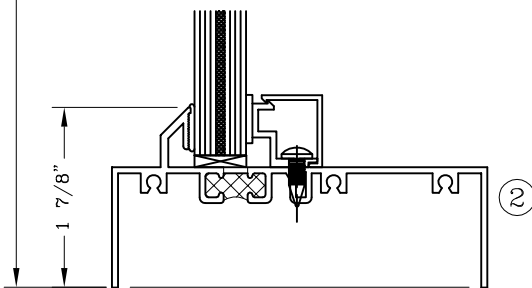
ELEVATION
60" x 60" Tested

INSTALLATION TYPES

1. Trim And Clip

(Reference Test Report #01-43222.03)

Window Dimension



Window Dimension