

# Hurricane Impact – 4” Historic Fixed (Large Missile)

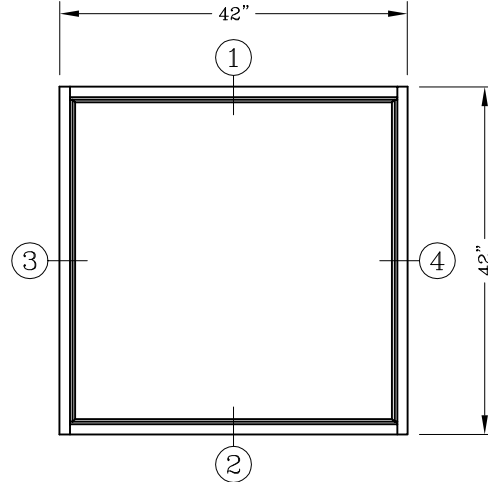
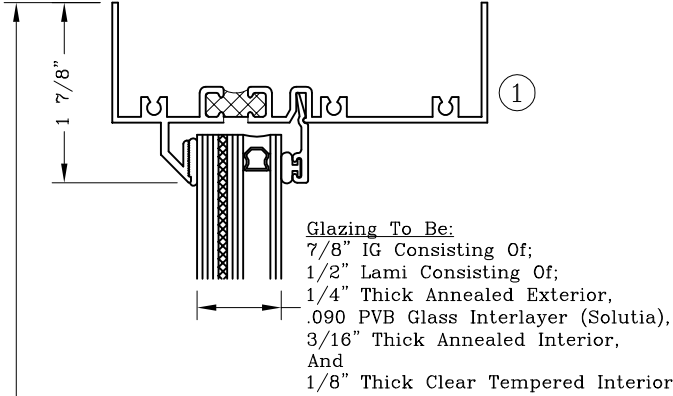


Series: HI1400

Manufacturing Code: HI1403

Drawing 1/2 Scale – For Custom Size Drawing Contact Graham

Note: Sealant Not Shown On Details. Consult Technical Services At Factory For Sealing Procedures.



ELEVATION  
42" x 42" Tested

### INSTALLATION TYPES

1. Trim And Clip

(Reference Test Report #53501.01-122-18)

Window Dimension

