

Hurricane Impact – 3 1/4” Single Hung (Large Missile)

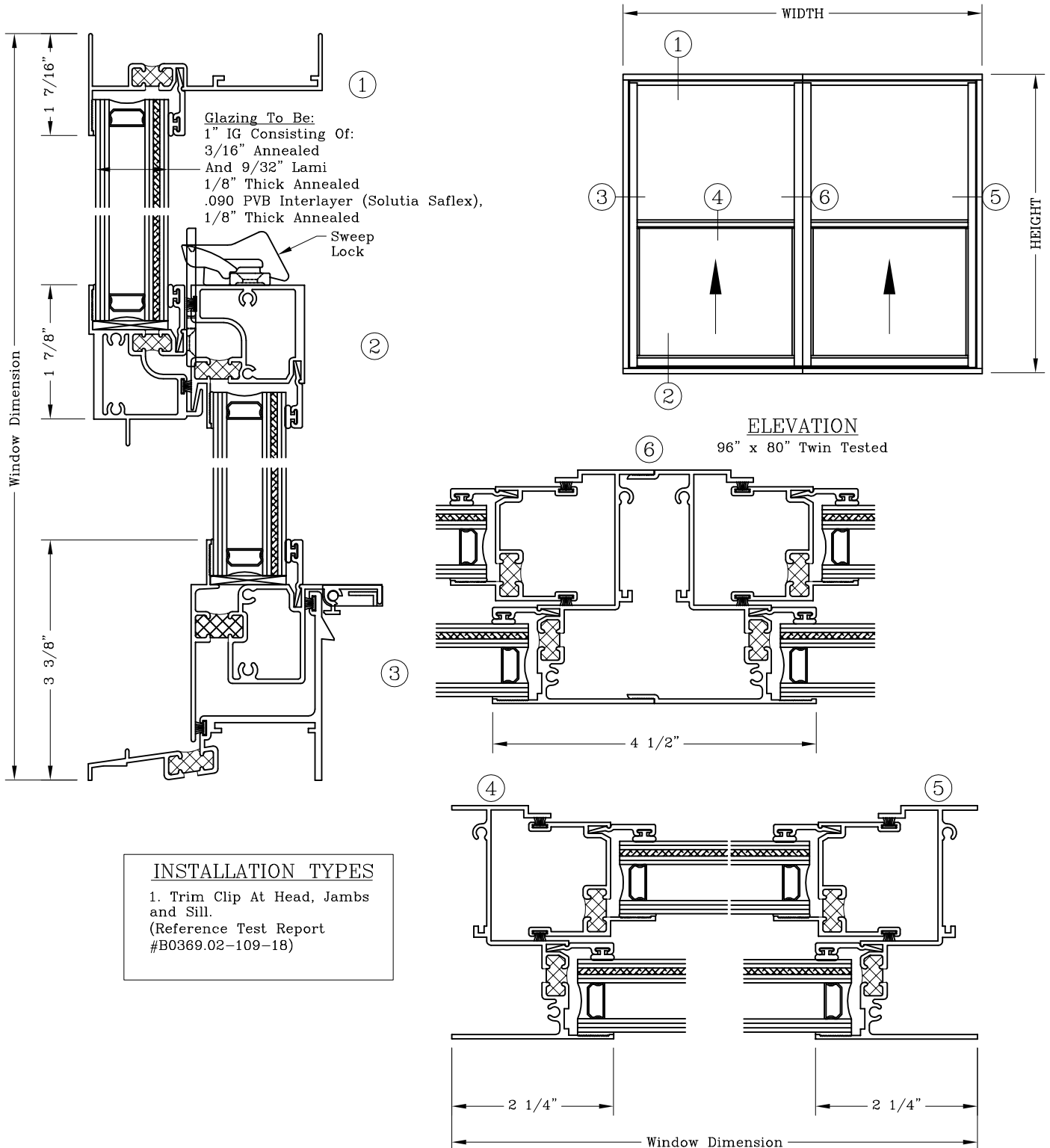


Series: HI2000

Manufacturing Code: HI2001

Drawing 1/2 Scale – For Custom Size Drawing Contact Graham

Note: Sealant Not Shown On Details. Consult Technical Services At Factory For Sealing Procedures.



INSTALLATION TYPES
 1. Trim Clip At Head, Jambs and Sill.
 (Reference Test Report #B0369.02-109-18)

Hurricane Impact – 3 1/4” Single Hung (Large Missile)

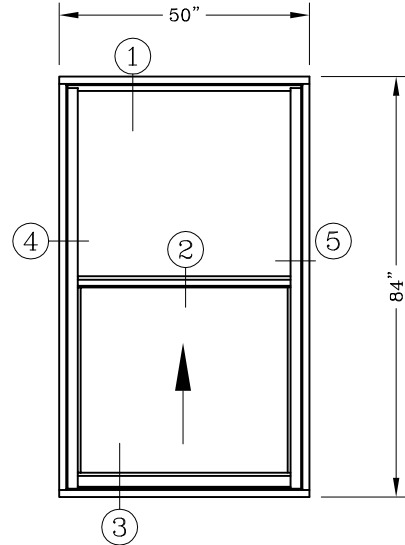
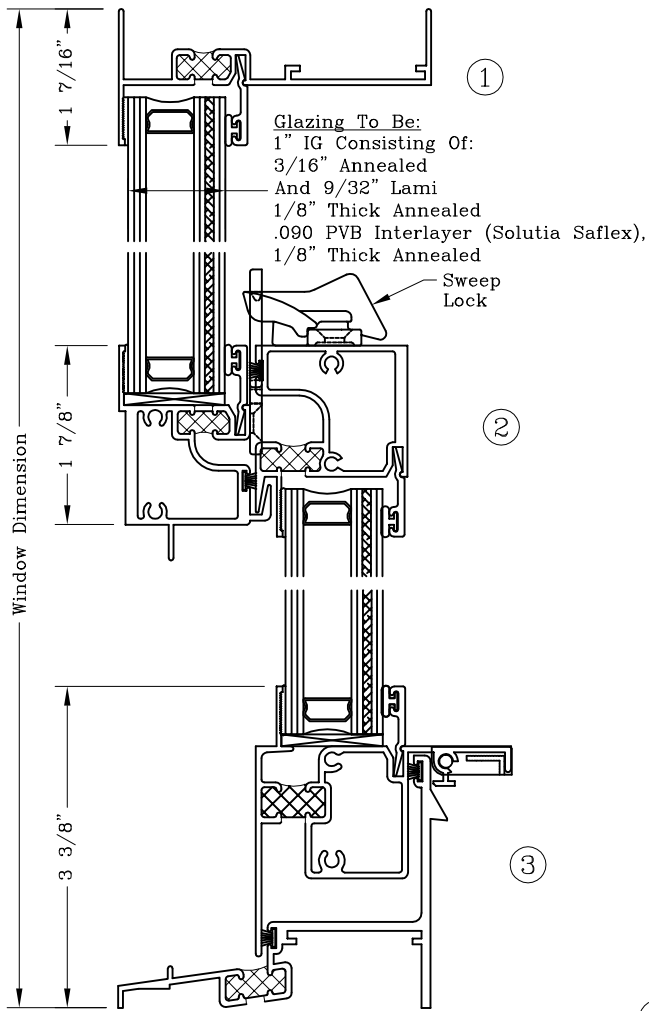


Series: HI2000

Manufacturing Code: HI2002

Drawing 1/2 Scale – For Custom Size Drawing Contact Graham

Note: Sealant Not Shown On Details. Consult Technical Services At Factory For Sealing Procedures.



ELEVATION
50" x 84"

INSTALLATION TYPES
1. Trim Clip At Head, Jambs and Sill.
(Reference Test Report #1199.01-106-11)

