

Hurricane Impact – 4” Double Hung (Large Missile)

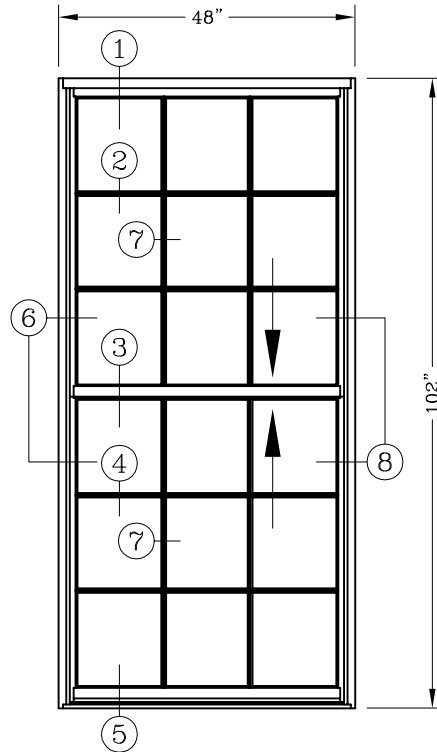
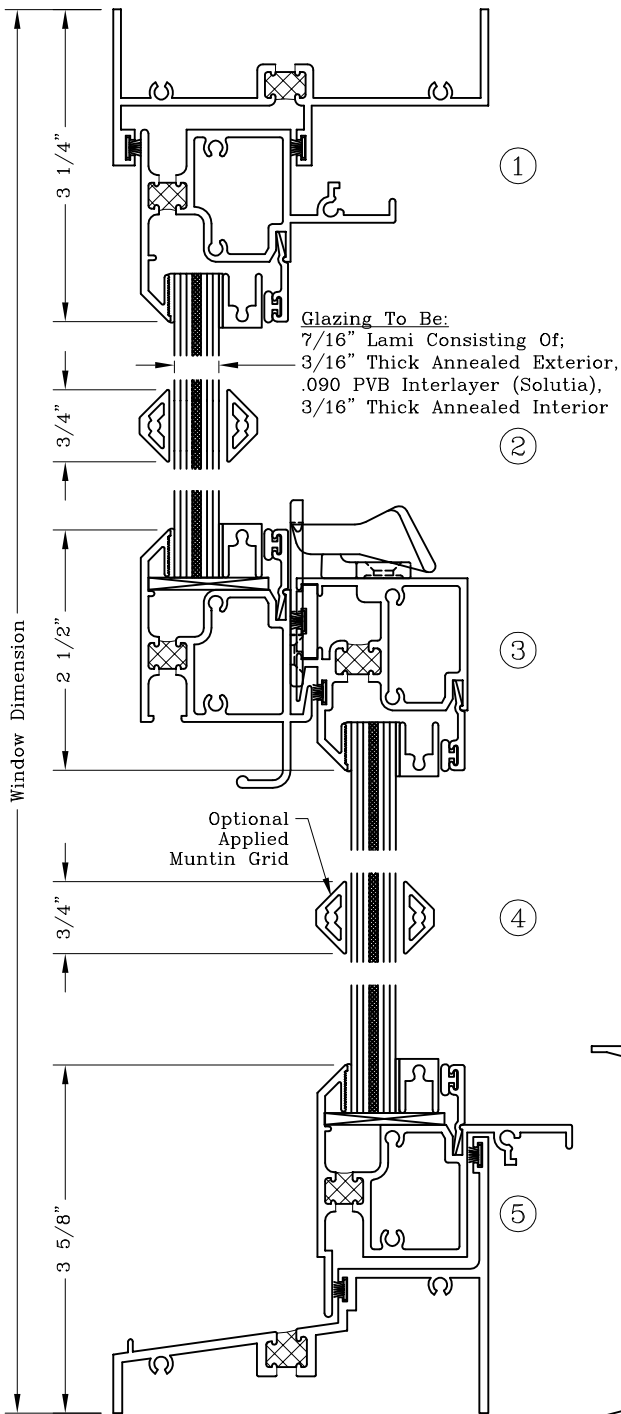


Series: HI2200

Manufacturing Code: HI2203

Drawing 1/2 Scale – For Custom Size Drawing Contact Graham

Note: Sealant Not Shown On Details. Consult Technical Services At Factory For Sealing Procedures.
For Other Blast Pressures And GSA Levels Contact Factory

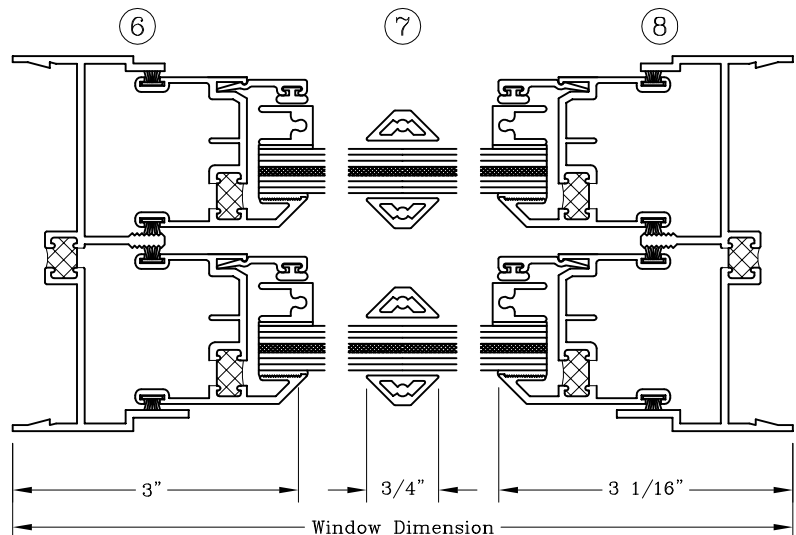


ELEVATION

48" x 102" Tested

INSTALLATION TYPES

1. Pre-Set Panning And Trim Clip
2. Receptor At Head And Jamb, And Sill Starter
(Reference Test Report #82093.02-109-44)



Hurricane Impact – 4” Double Hung (Large Missile)

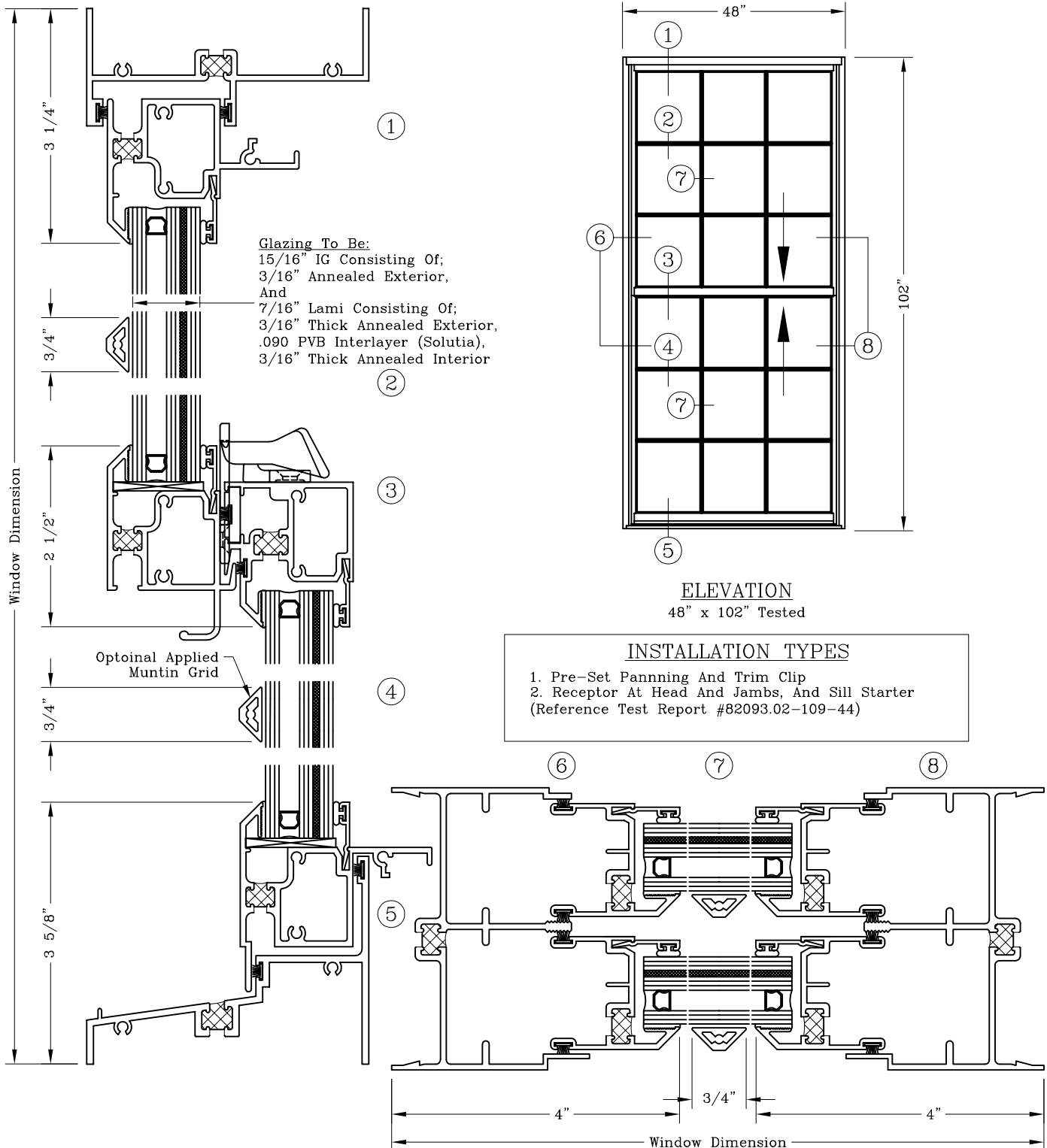


Series: HI2200

Manufacturing Code: HI2204

Drawing 1/2 Scale – For Custom Size Drawing Contact Graham

Note: Sealant Not Shown On Details. Consult Technical Services At Factory For Sealing Procedures.
For Other Blast Pressures And GSA Levels Contact Factory



Hurricane Impact – 4” Fixed Double Hung Replication (Large Missile)

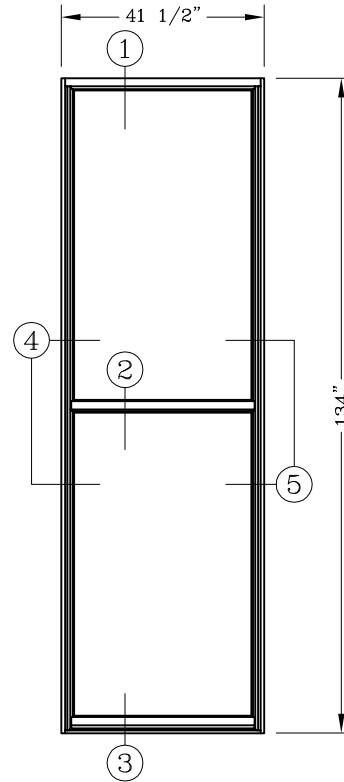
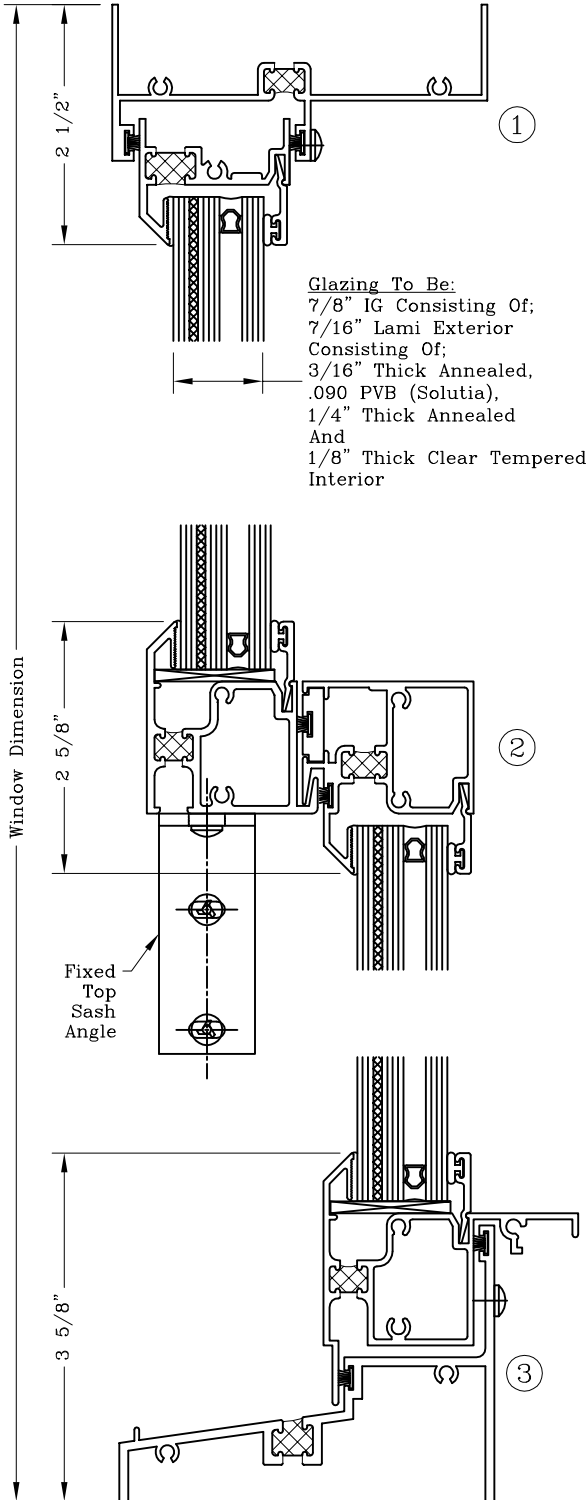


Series: HI2200

Manufacturing Code: HI2205

Drawing 1/2 Scale – For Custom Size Drawing Contact Graham

Note: Sealant Not Shown On Details. Consult Technical Services At Factory For Sealing Procedures.



ELEVATION
41 1/2" x 134" Tested

INSTALLATION TYPES

1. Trim And Clip

(Reference Test Report #54502.01-122-18)

