

# Hurricane Impact – 4” Double Hung (Large Missile)

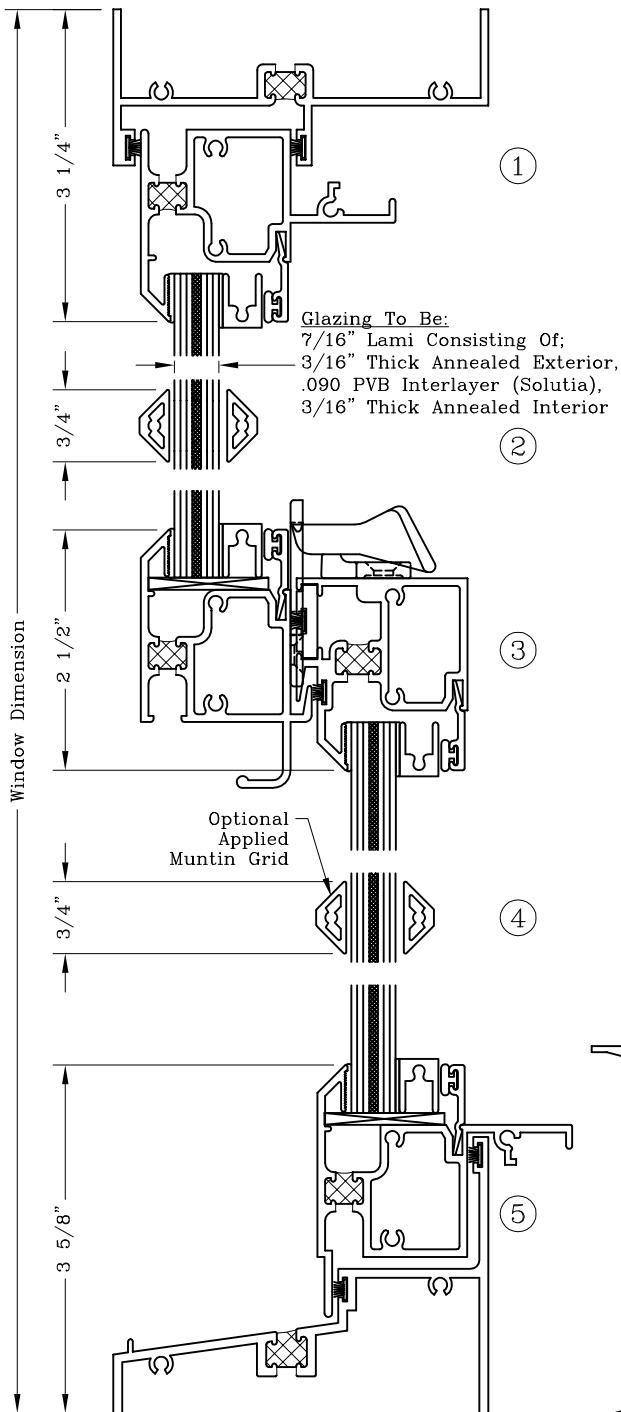


Series: HI2200

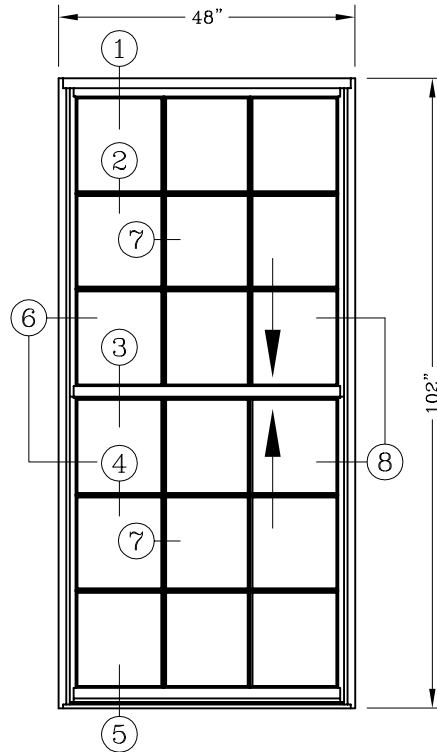
Manufacturing Code: HI2203

Drawing 1/2 Scale – For Custom Size Drawing Contact Graham

Note: Sealant Not Shown On Details. Consult Technical Services At Factory For Sealing Procedures.  
For Other Blast Pressures And GSA Levels Contact Factory



Glazing To Be:  
7/16" Lami Consisting Of;  
3/16" Thick Annealed Exterior,  
.090 PVB Interlayer (Solutia),  
3/16" Thick Annealed Interior



### ELEVATION

48" x 102" Tested

### INSTALLATION TYPES

1. Pre-Set Panelling And Trim Clip
2. Receptor At Head And Jamb, And Sill Starter  
(Reference Test Report #82093.02-109-44)

