

Hurricane Impact – 4” Fixed Double Hung Replication (Large Missile)

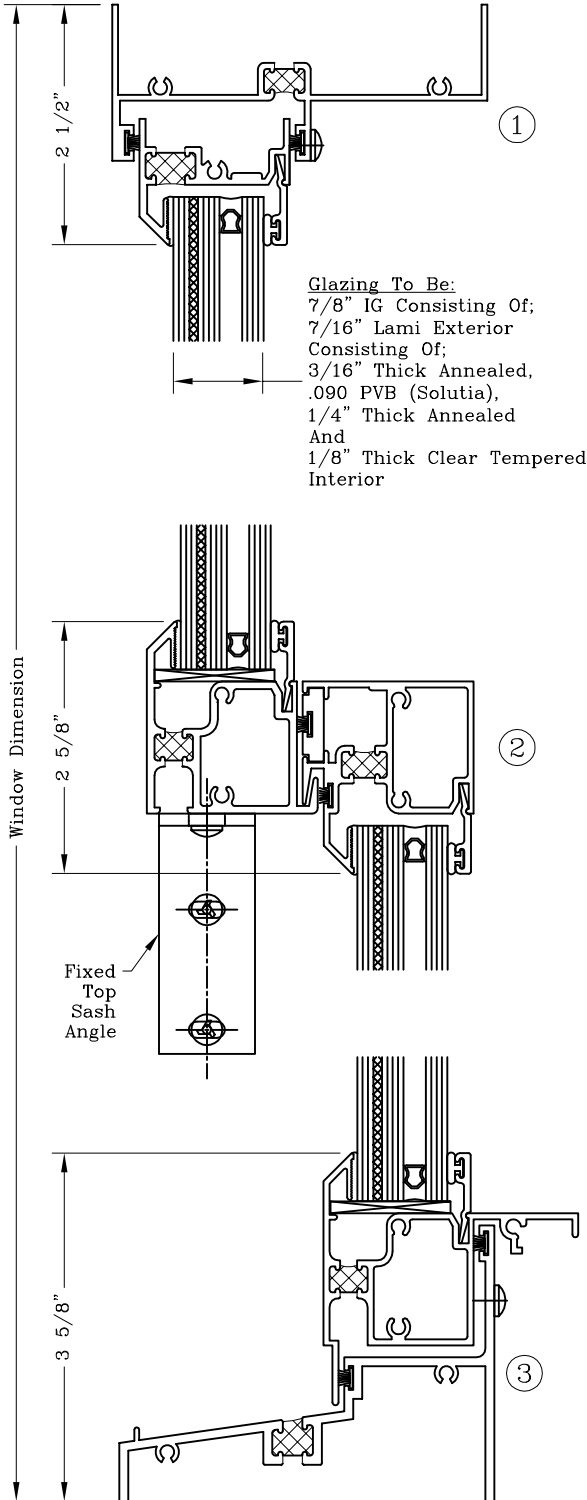


Series: HI2200

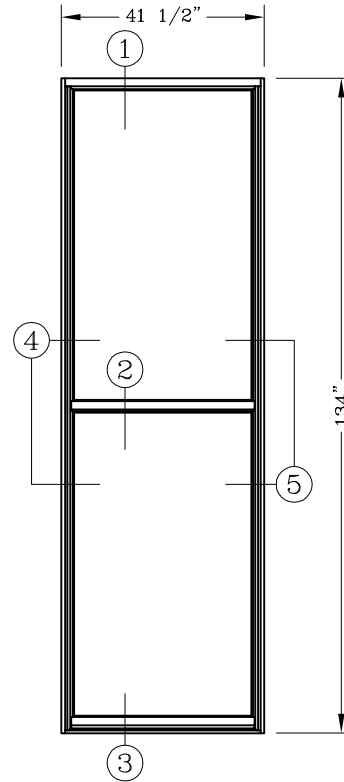
Manufacturing Code: HI2205

Drawing 1/2 Scale – For Custom Size Drawing Contact Graham

Note: Sealant Not Shown On Details. Consult Technical Services At Factory For Sealing Procedures.



Glazing To Be:
7/8" IG Consisting Of;
7/16" Lami Exterior
Consisting Of;
3/16" Thick Annealed,
.090 PVB (Solutia),
1/4" Thick Annealed
And
1/8" Thick Clear Tempered
Interior



ELEVATION
41 1/2" x 134" Tested

INSTALLATION TYPES

1. Trim And Clip

(Reference Test Report #54502.01-122-18)

