

# Hurricane Impact – 3 1/4” Terrace Door – Outswing Concave

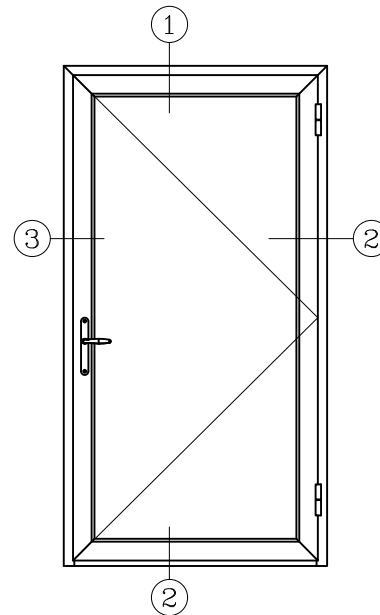
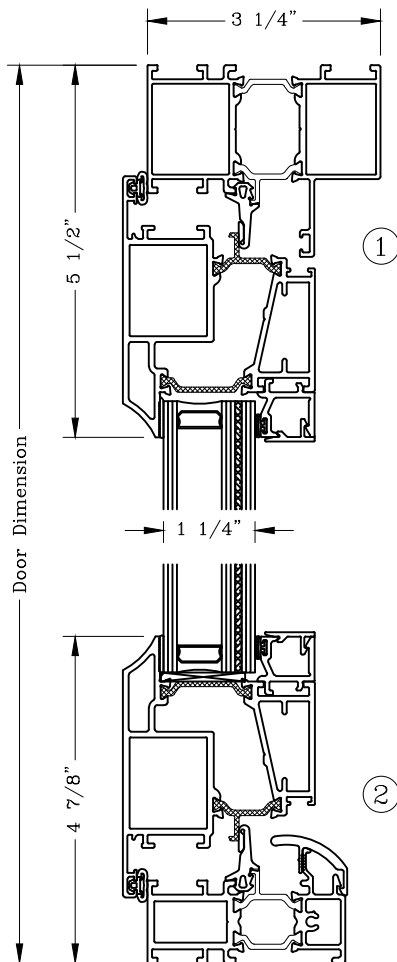


Series: GT7700

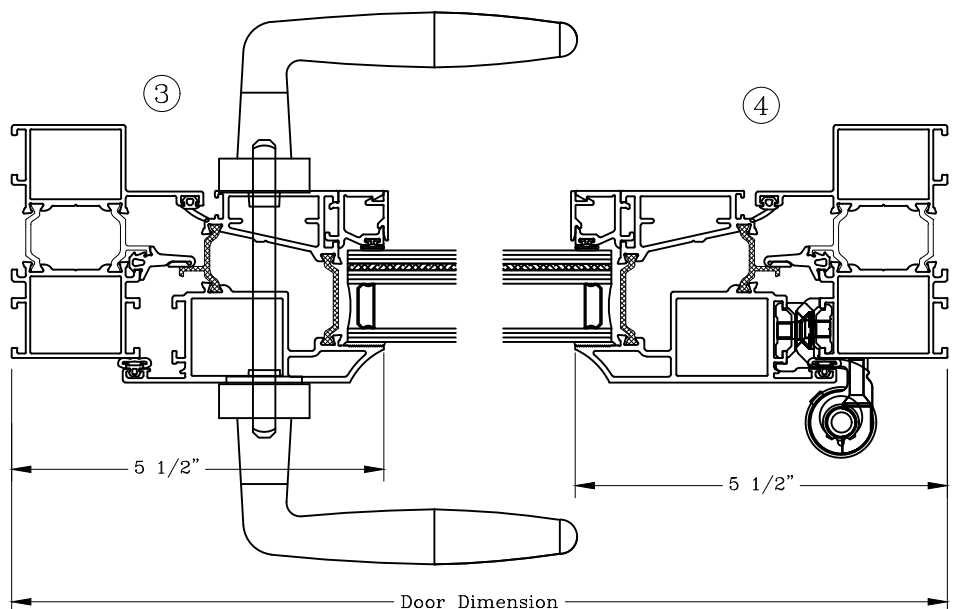
Manufacturing Code: HIGT7710

Drawing 1/2 Scale – For Custom Size Drawing Contact Graham

Note: Sealant Not Shown On Details. Consult Technical Services At Factory For Sealing Procedures.



ELEVATION



Note: Dashed Lines Represent Inswing Vented Units; Solid Lines Represent Outswing Vented Units; Lines Converge At Hinge Side Of Vent

Graham Architectural Products reserves the right to change, add, cancel, remove or otherwise modify the details illustrated without prior notice.

1551 Mt. Rose Avenue, York, Pennsylvania 17403-2909 800/755-6274 Fax: 800/366-5097

0621 – HIGT77.10

Web Site: [www.grahamwindows.com](http://www.grahamwindows.com)