

Hurricane Impact – 3 1/4”
Terrace Door – Outswing
Concave

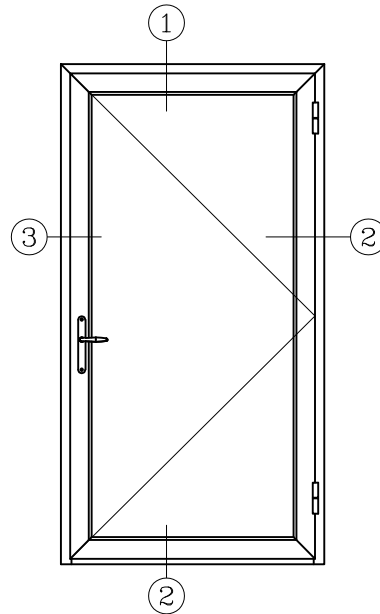
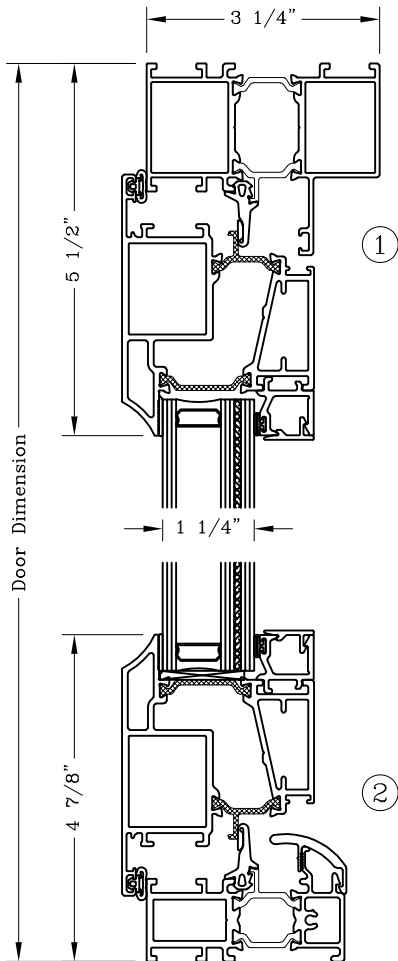


Series: GT7700

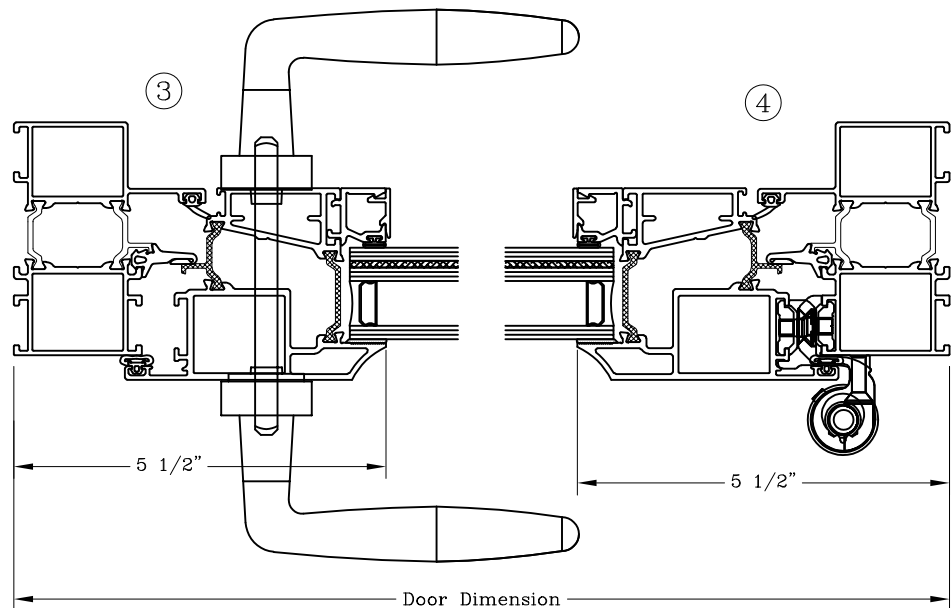
Manufacturing Code: HIGT7710

Drawing 1/2 Scale – For Custom Size Drawing Contact Graham

Note: Sealant Not Shown On Details. Refer To General Installation Instructions.



ELEVATION



Note: Dashed Lines Represent Inswing Vented Units; Solid Lines Represent Outswing Vented Units; Lines Converge At Hinge Side Of Vent
Graham Architectural Products reserves the right to change, add, cancel, remove or otherwise modify the details illustrated without prior notice.
1551 Mt. Rose Avenue, York, Pennsylvania 17403-2909 717.849.8100 Toll Free: 800/755-6274 0223 – HIGT77.10
Web Site: www.grahamwindows.com