

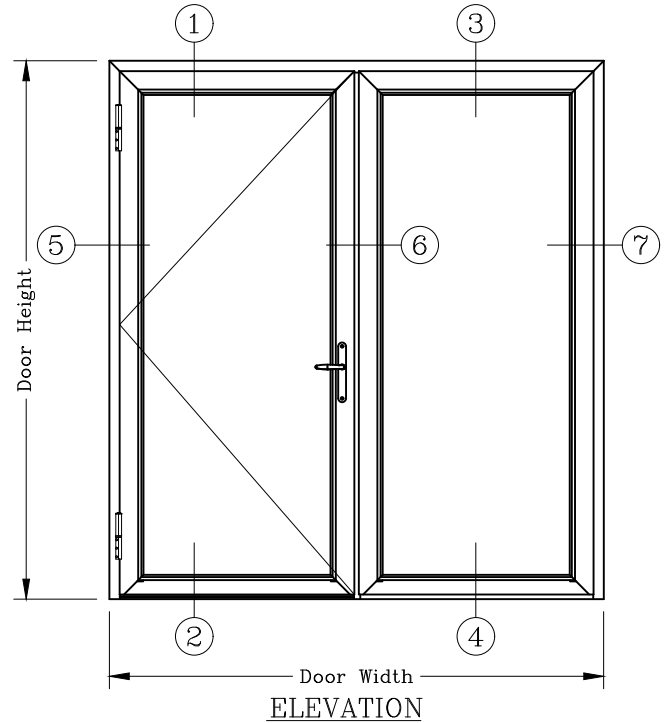
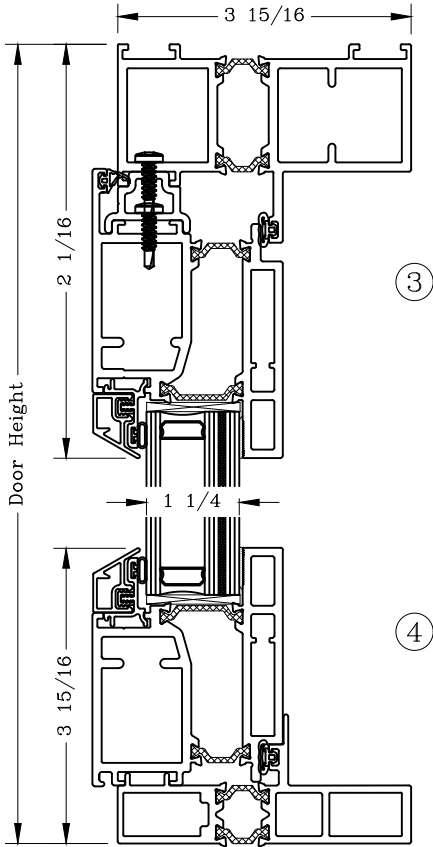
Hurricane Impact – 4” Terrace Door – Outswing / Fixed



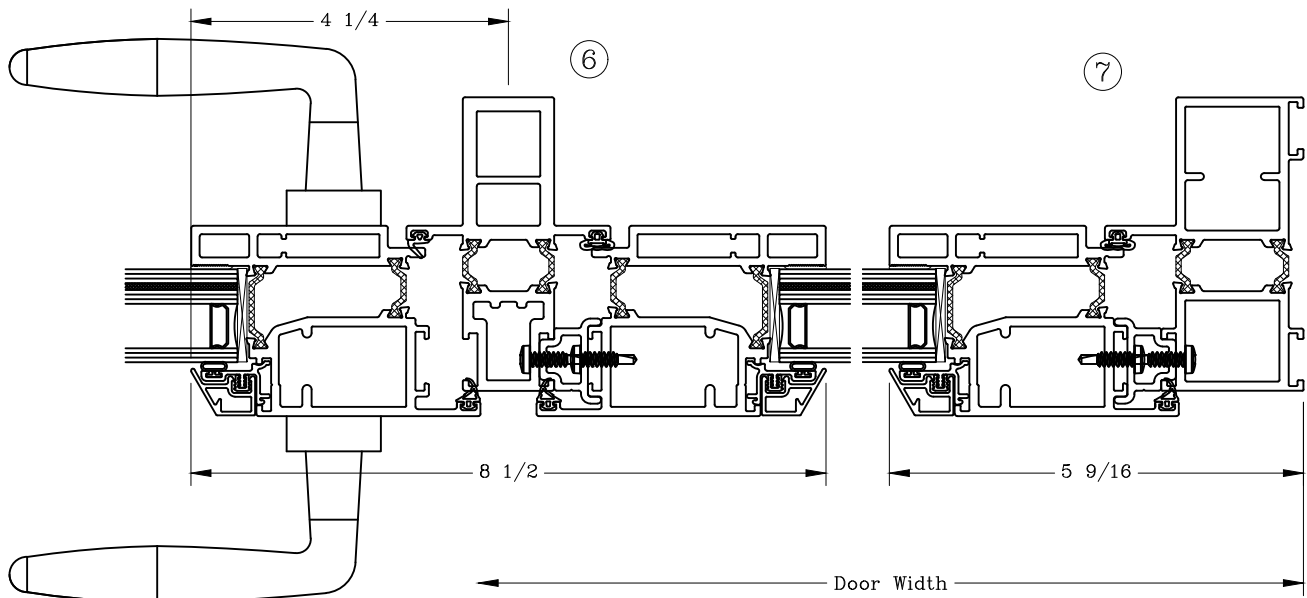
Series: GT7800 Manufacturing Code: HIGT7802

Drawing 1/2 Scale – For Custom Size Drawing Contact Graham

Note: Sealant Not Shown On Details. Refer To General Installation Instructions.



Note: Operable Cuts Located on Sheet HI78.02



Note: Dashed Lines Represent Inswing Vented Units; Solid Lines Represent Outswing Vented Units; Lines Converge At Hinge Side Of Vent

Graham Architectural Products reserves the right to change, add, cancel, remove or otherwise modify the details illustrated without prior notice.

1551 Mt. Rose Avenue, York, Pennsylvania 17403-2909 717.849.8100 Toll Free: 800/755-6274 0124 – HIGT78.03

Web Site: www.grahamwindows.com