

Hurricane Impact – 4” Offset Large Missile

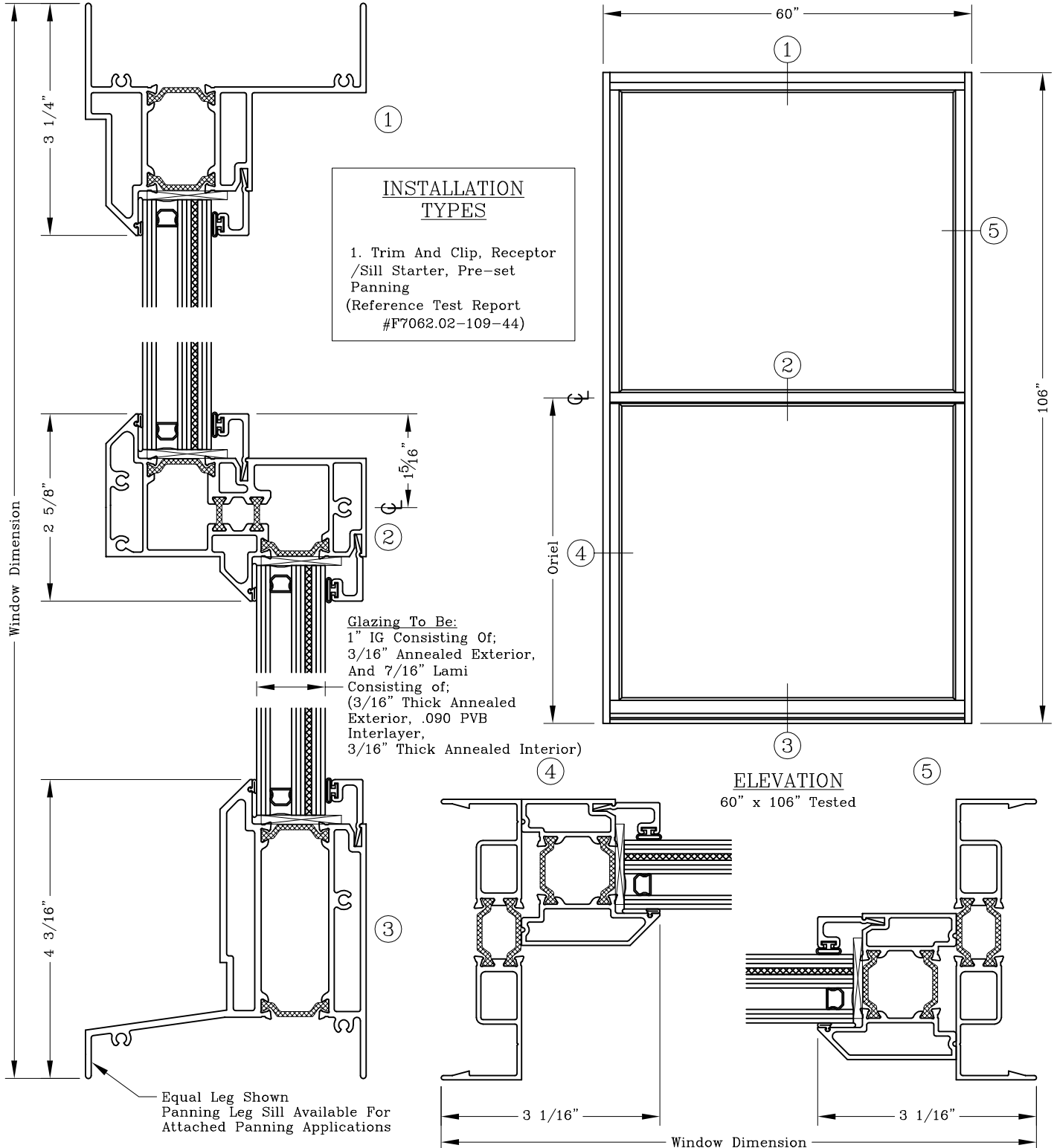


Series: S1400

Manufacturing Code: S1405

Drawing 1/2 Scale – For Custom Size Drawing Contact Graham

Note: Sealant Not Shown On Details. Consult Technical Services At Factory For Sealing Procedures.



Hurricane Impact – 4” Offset Small Missile

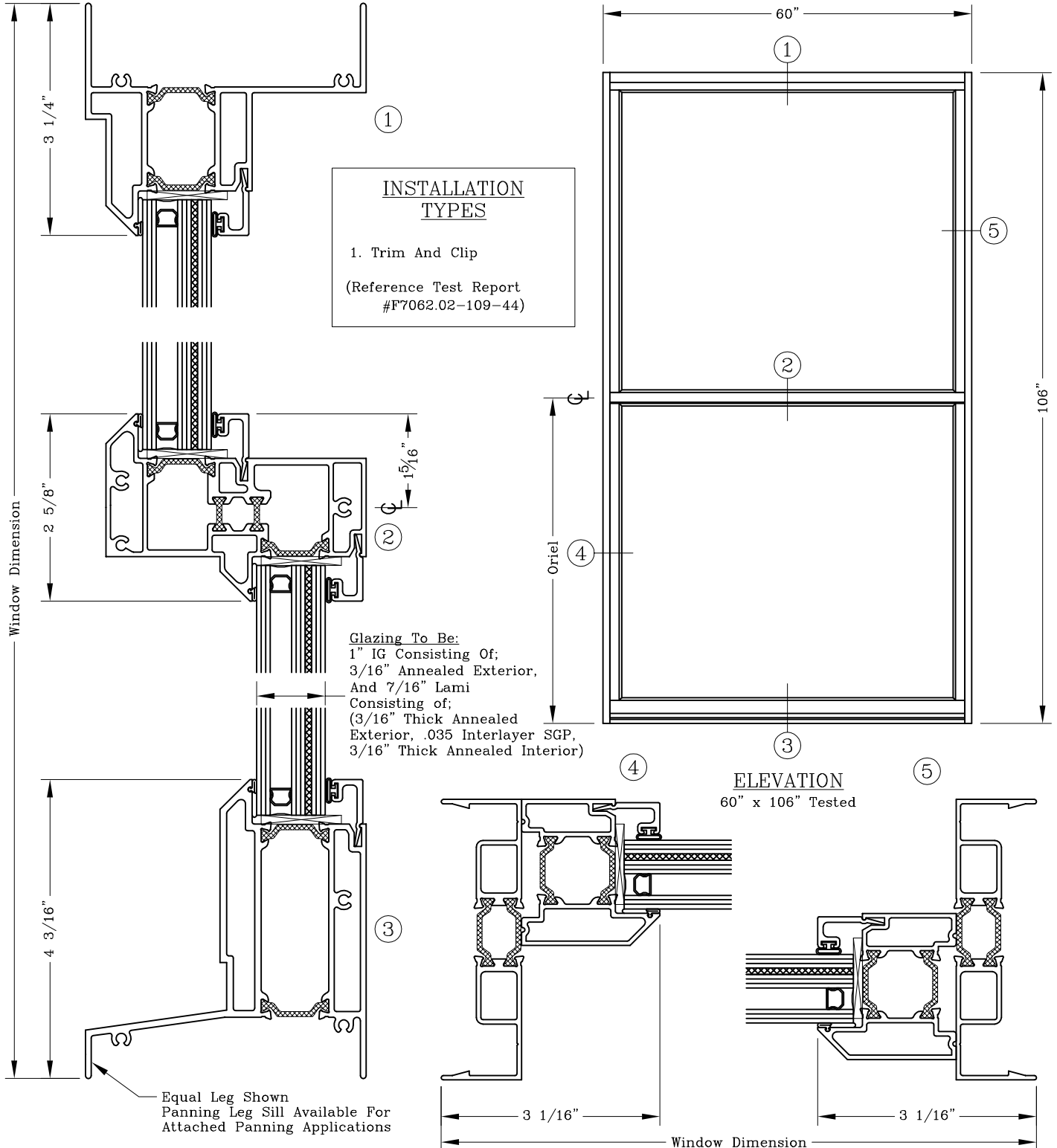


Series: S1400

Manufacturing Code: S1406

Drawing 1/2 Scale – For Custom Size Drawing Contact Graham

Note: Sealant Not Shown On Details. Consult Technical Services At Factory For Sealing Procedures.



Hurricane Impact – 4” Offset



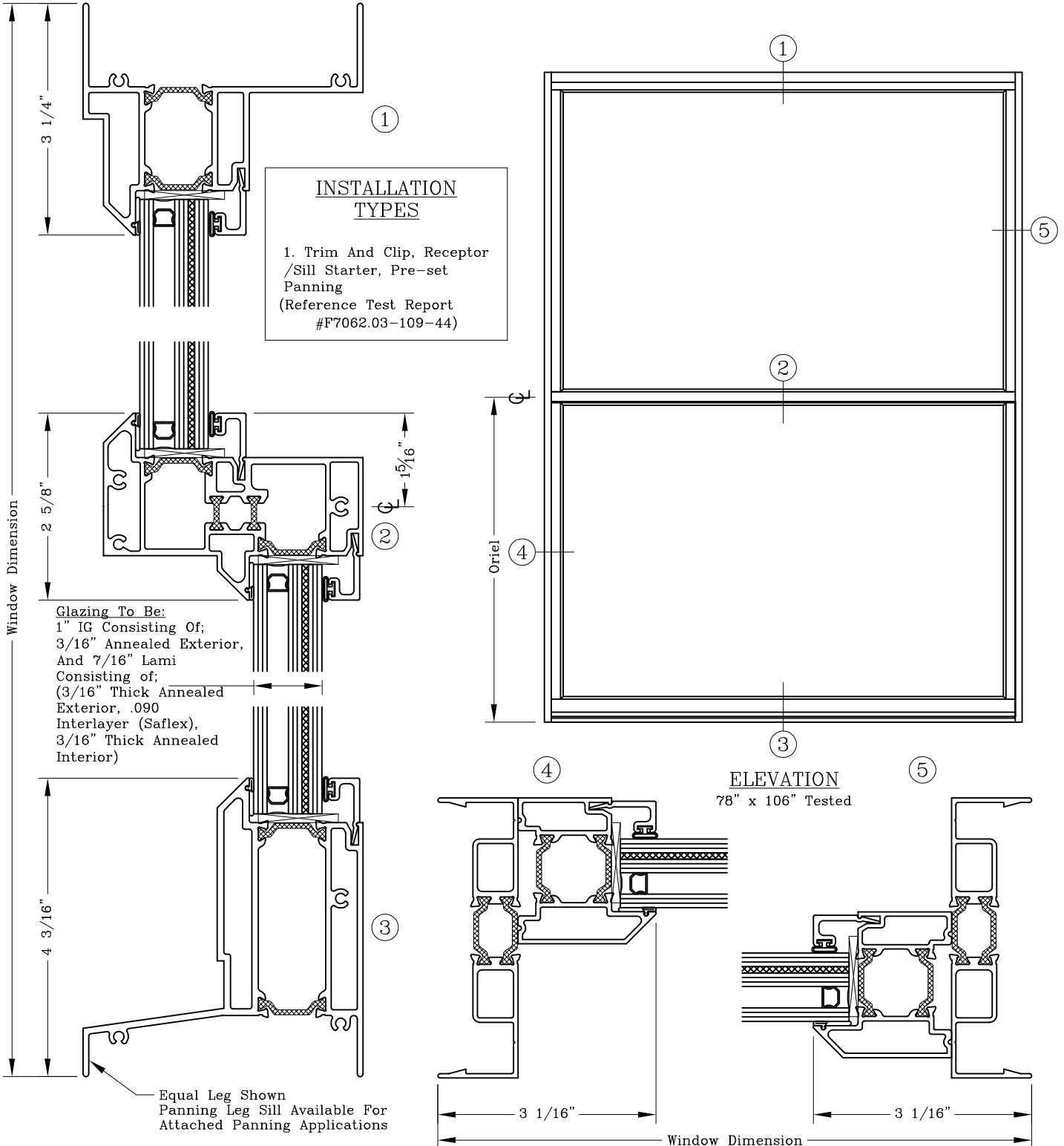
Large Missile

Series: S1400

Manufacturing Code: S1407

Drawing 1/2 Scale – For Custom Size Drawing Contact Graham

Note: Sealant Not Shown On Details. Consult Technical Services At Factory For Sealing Procedures.



Hurricane Impact – 4” Offset Small Missile

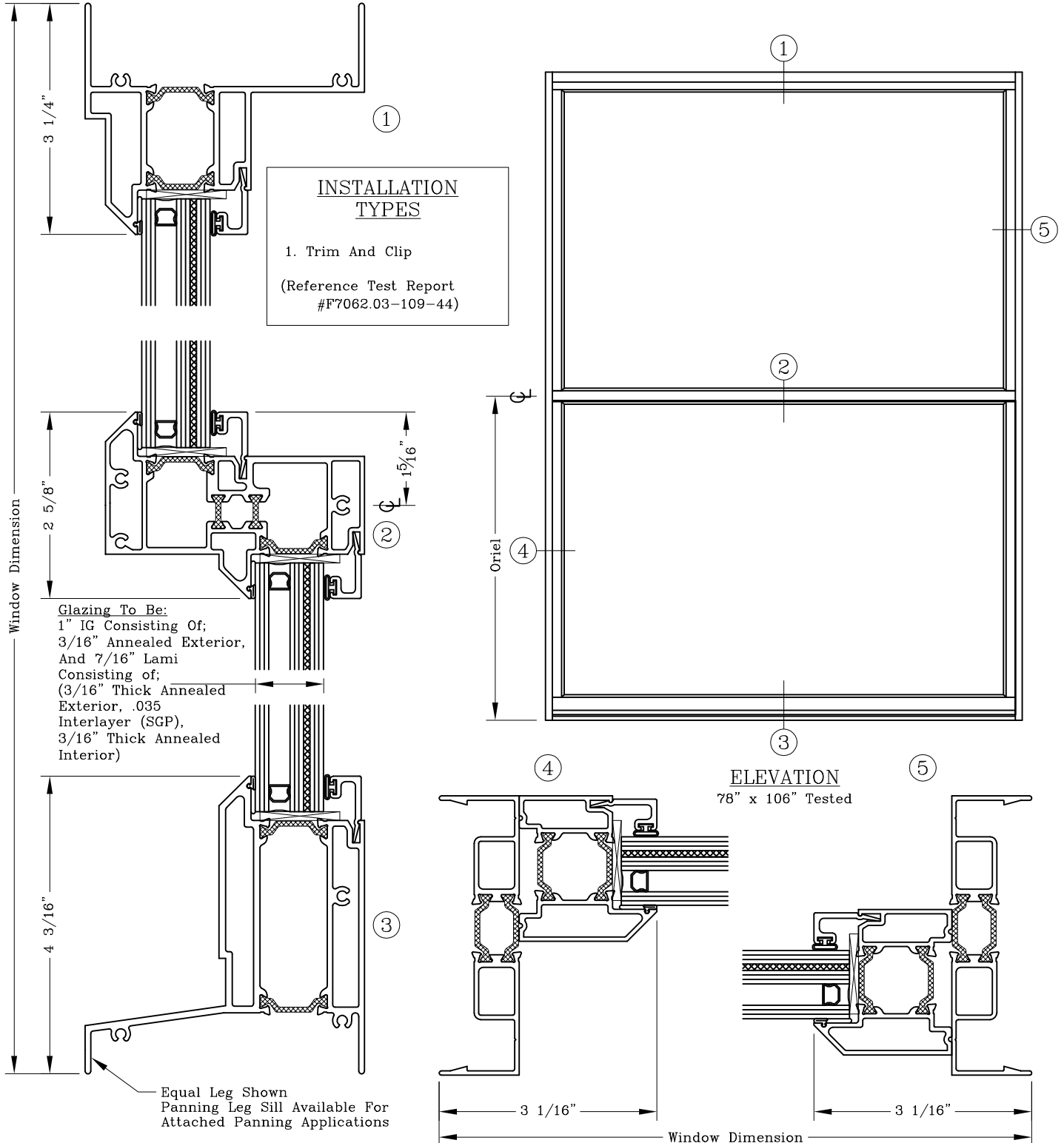


Series: S1400

Manufacturing Code: S1408

Drawing 1/2 Scale – For Custom Size Drawing Contact Graham

Note: Sealant Not Shown On Details. Consult Technical Services At Factory For Sealing Procedures.



Hurricane Impact – 4” Offset

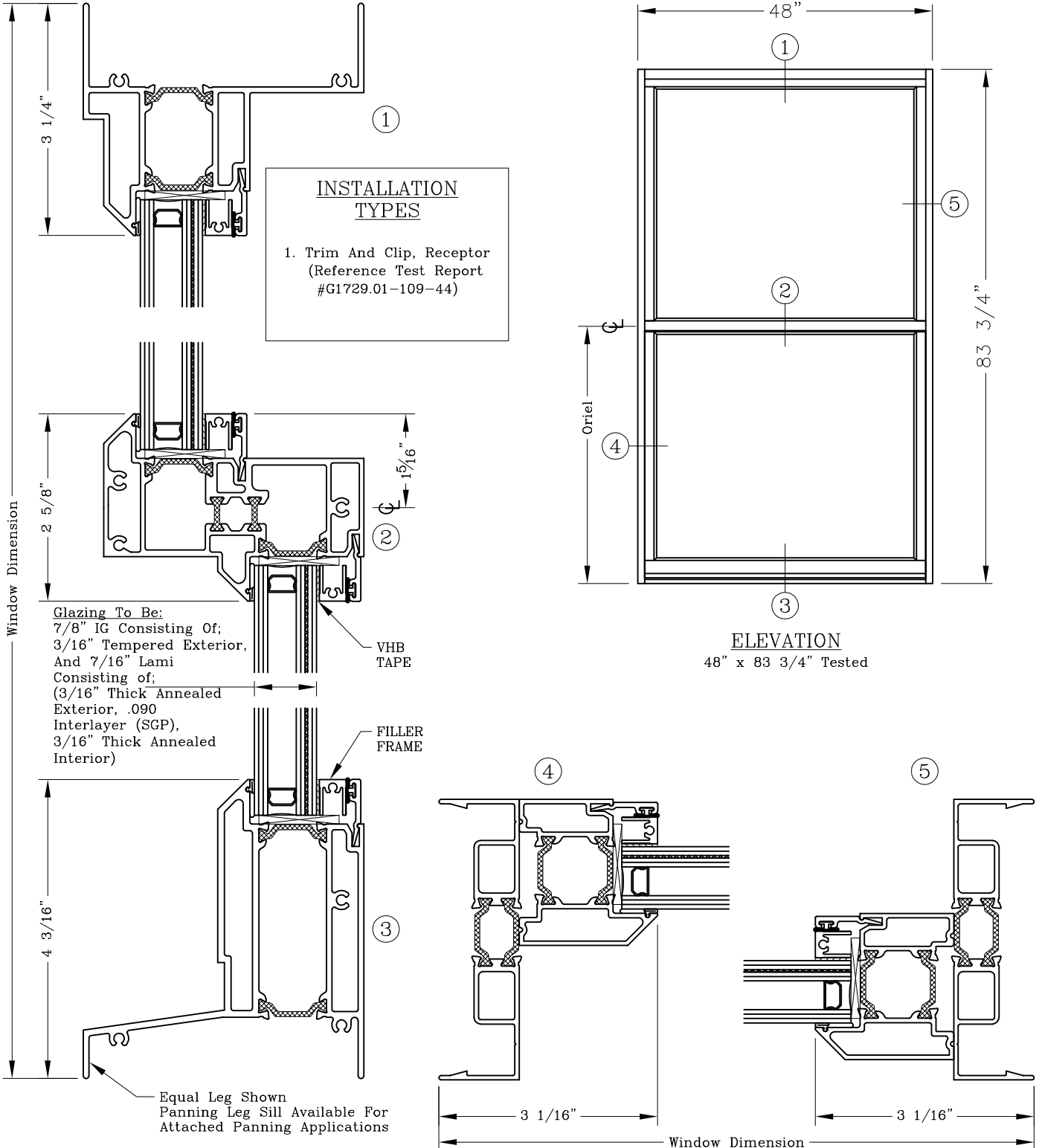
Large Missile

Series: S1400

Manufacturing Code: S1409

Drawing 1/2 Scale – For Custom Size Drawing Contact Graham

Note: Sealant Not Shown On Details. Consult Technical Services At Factory For Sealing Procedures.



Hurricane Impact – 4” Offset Small Missile



Series: S1400

Manufacturing Code: S1410

Drawing 1/2 Scale – For Custom Size Drawing Contact Graham

Note: Sealant Not Shown On Details. Consult Technical Services At Factory For Sealing Procedures.

