

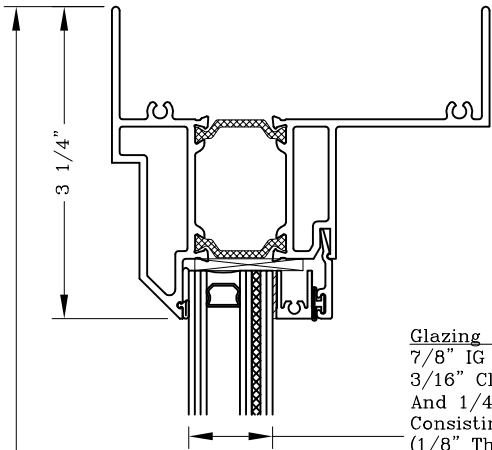
Hurricane Impact – 4”  
 Single Plane  
 Large Missile  
 Series: S1400



Manufacturing Code: S1411

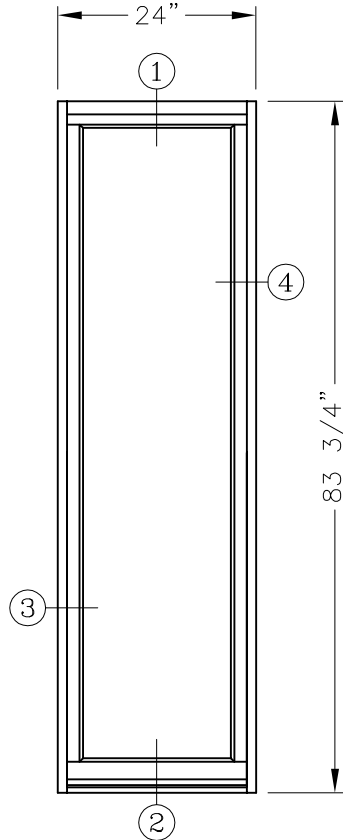
Drawing 1/2 Scale – For Custom Size Drawing Contact Graham

Note: Sealant Not Shown On Details. Consult Technical Services At Factory For Sealing Procedures.



①

Glazing To Be:  
 7/8" IG Consisting Of;  
 3/16" Clear Tempered Exterior,  
 And 1/4 Lami  
 Consisting of;  
 (1/8" Thick Heat Strengthened  
 Exterior, .090  
 Interlayer (SGP),  
 1/8" Thick Heat Strengthened  
 Interior)



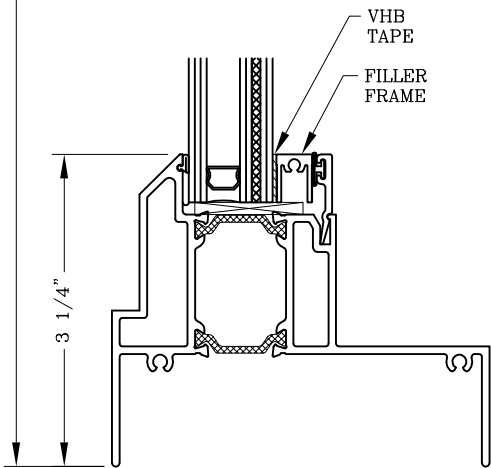
ELEVATION

24" x 83 3/4" Tested

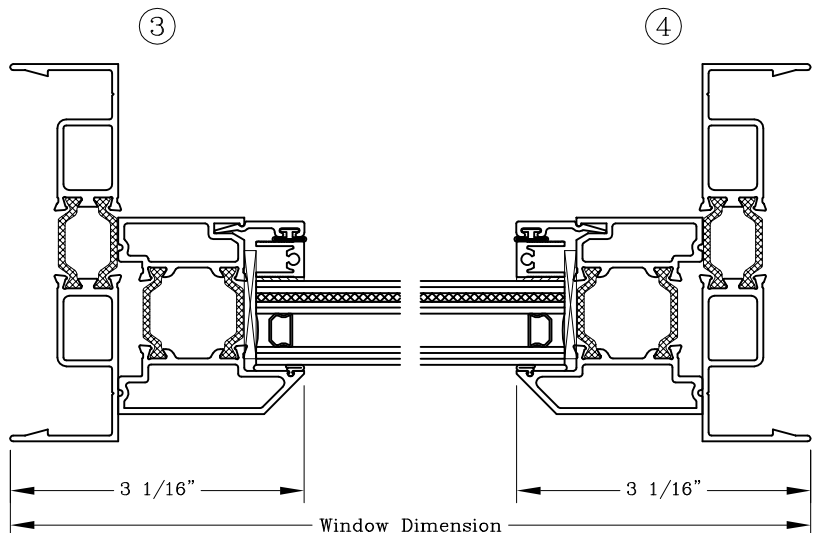
INSTALLATION  
 TYPES

1. Trim And Clip  
 (Reference Test Report  
 #g1729.02-109-44)

Window Dimension



②



Window Dimension