

Hurricane Impact – 3 1/4” Terrace Door (Large Missile)

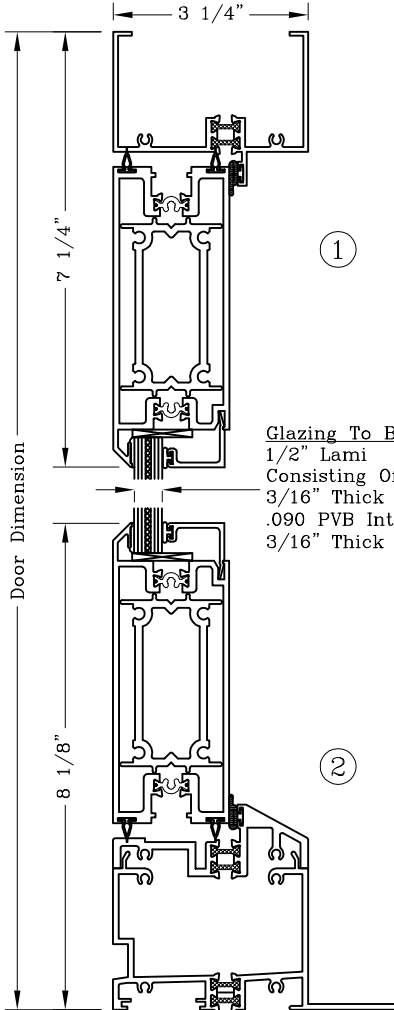


Series: HIS7400

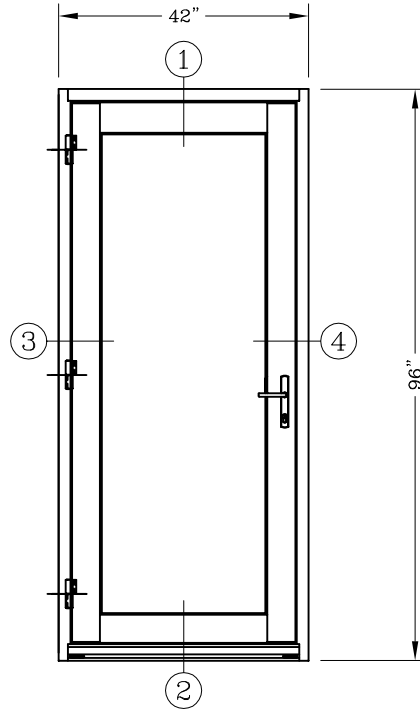
Manufacturing Code: HIS7401

Drawing 1/2 Scale – For Custom Size Drawing Contact Graham

Note: Sealant Not Shown On Details. Consult Technical Services At Factory For Sealing Procedures.



Glazing To Be:
1/2" Lami
Consisting Of:
3/16" Thick Heat Strengthened Annealed Exterior,
.090 PVB Interlayer (Solutia)
3/16" Thick Heat Strengthened Annealed Interior

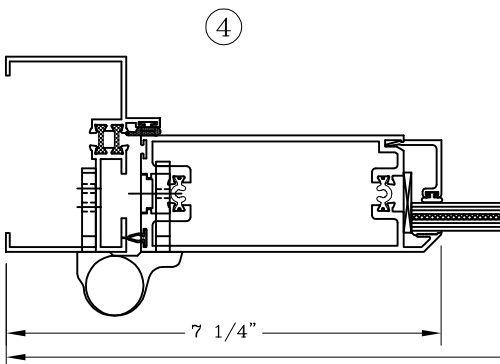


ELEVATION

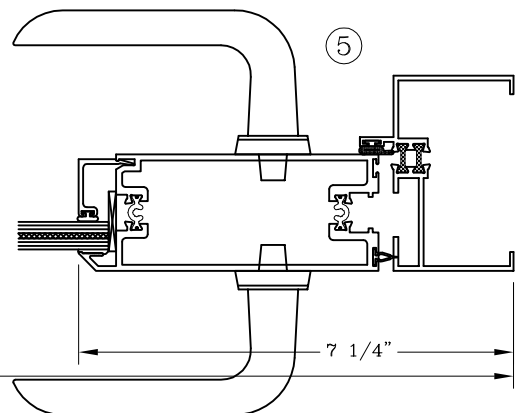
42" x 96" Tested

INSTALLATION TYPES

1. Through Frame Anchors At Sill And Jamb.
 2. Trim & Clip At Head
- (Reference Test Report #73494.01-109-44)



Door Dimension



Note: Dashed Lines Represent Inswing Vented Units; Solid Lines Represent
Outswing Vented Units; Lines Converge At Hinge Side Of Vent

Hurricane Impact – 3 1/4”
Terrace Door
(Large Missile)

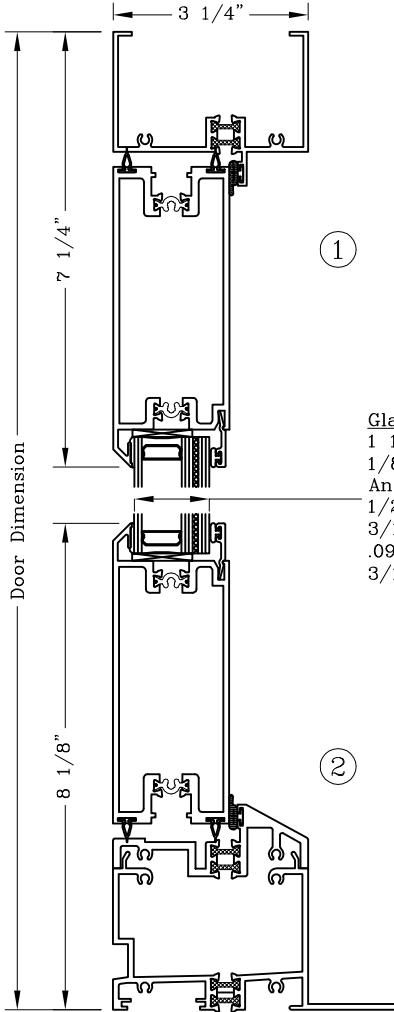


Series: HIS7400

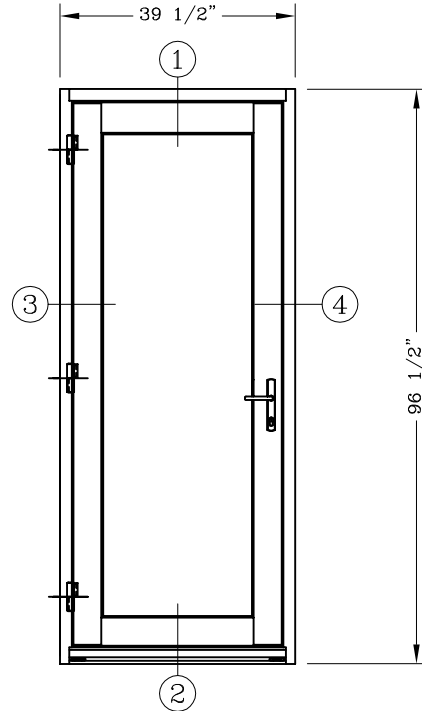
Manufacturing Code: HIS7402

Drawing 1/2 Scale – For Custom Size Drawing Contact Graham

Note: Sealant Not Shown On Details. Consult Technical Services At Factory For Sealing Procedures.



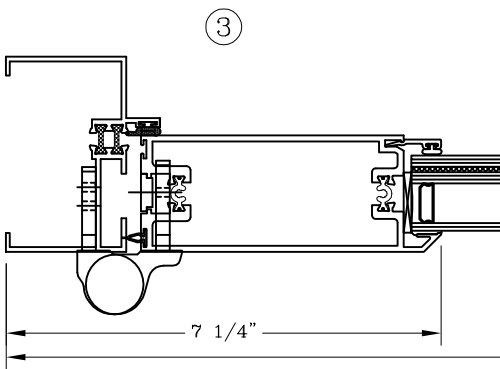
Glazing To Be:
1 1/4" IG Consisting Of;
1/8" Thick Tempered
And
1/2" Lami Consisting Of:
3/16" Thick Annealed Exterior,
.090 PVB Interlayer (Solutia)
3/16" Thick Annealed Interior



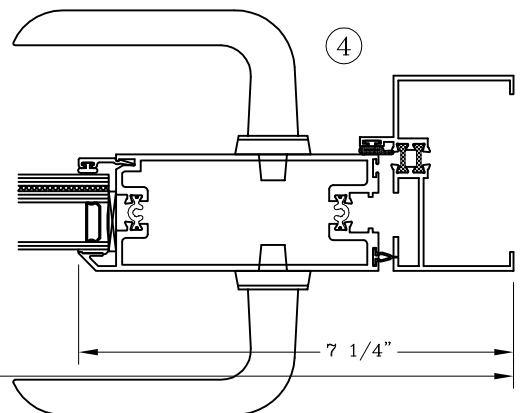
ELEVATION
39 1/2" x 96 1/2" Tested

INSTALLATION TYPES

1. Through Frame Anchors Jamb And Sill.
Trim & Clip On Head.
(Reference Test Report #82997.01-109-44
& #82997.02-109-44



Door Dimension



Note: Dashed Lines Represent Inswing Vented Units; Solid Lines Represent
Outswing Vented Units; Lines Converge At Hinge Side Of Vent

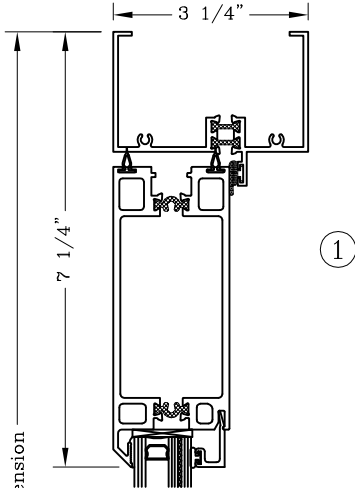
Hurricane Impact – 3 1/4”
Terrace Door
Large Missile
Series: HIS7400



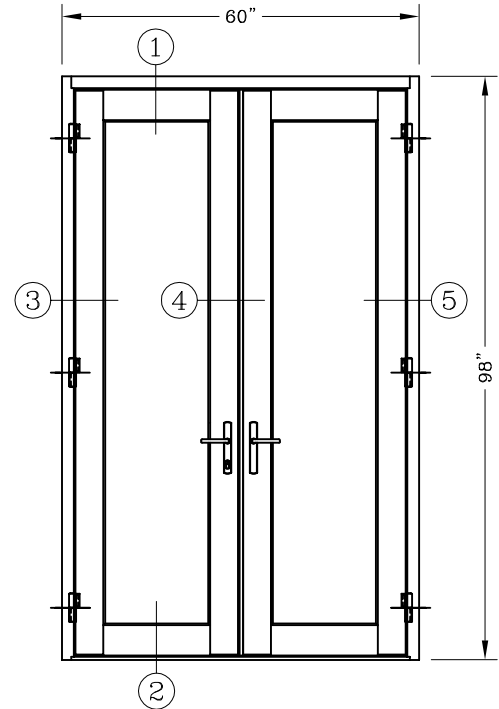
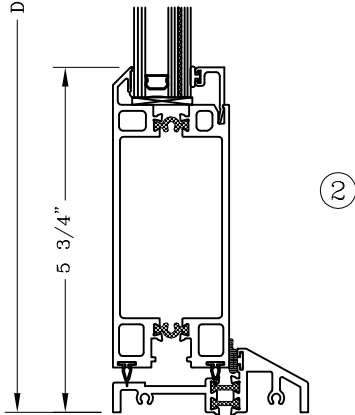
Manufacturing Code: HIS7403

Drawing 1/2 Scale – For Custom Size Drawing Contact Graham

Note: Sealant Not Shown On Details. Consult Technical Services At Factory For Sealing Procedures.

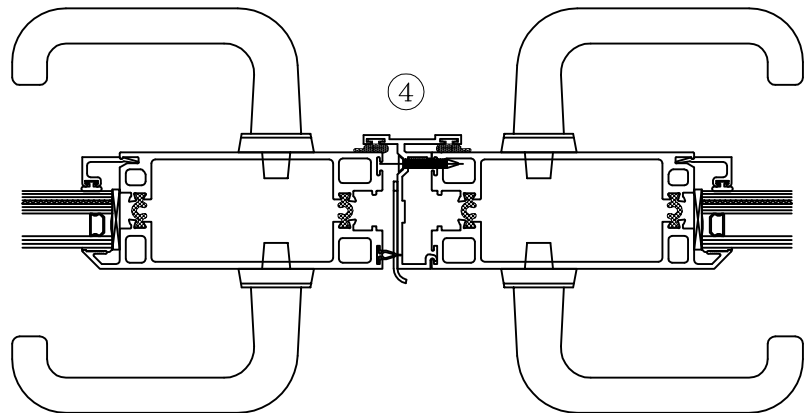
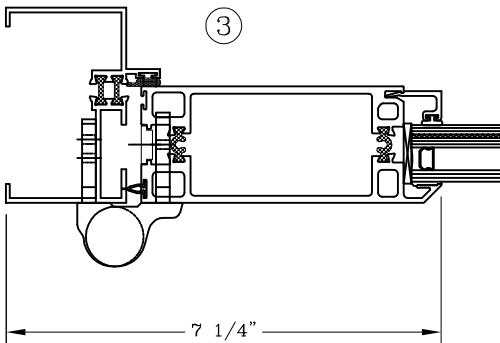


Glazing To Be:
15/16" IG Consisting Of;
3/16" Thick Tempered
And
3/8" Lami Consisting Of:
5/32" Thick Annealed Exterior,
.090 PVB Interlayer
5/32" Thick Annealed Interior



ELEVATION
Pair 60" x 98" Tested

INSTALLATION TYPES
1. Through Frame Anchors Jamb And Sill.
Trim & Clip On Head.
(Reference Test Report #g1907.01-109-44)



Door Dimension

Note: Dashed Lines Represent Inswing Vented Units; Solid Lines Represent
Outswing Vented Units; Lines Converge At Hinge Side Of Vent

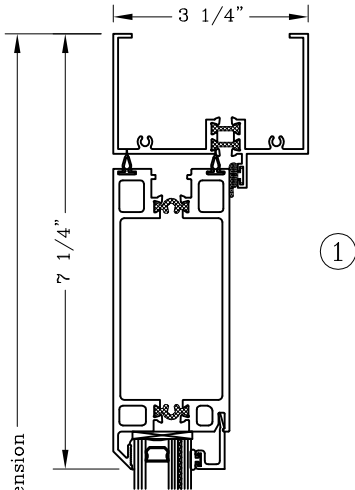
Hurricane Impact – 3 1/4”
Terrace Door
Small Missile
Series: HIS7400



Manufacturing Code: HIS7404

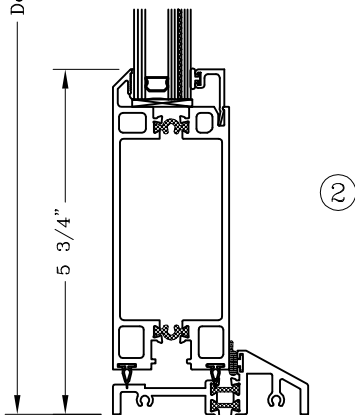
Drawing 1/2 Scale – For Custom Size Drawing Contact Graham

Note: Sealant Not Shown On Details. Consult Technical Services At Factory For Sealing Procedures.

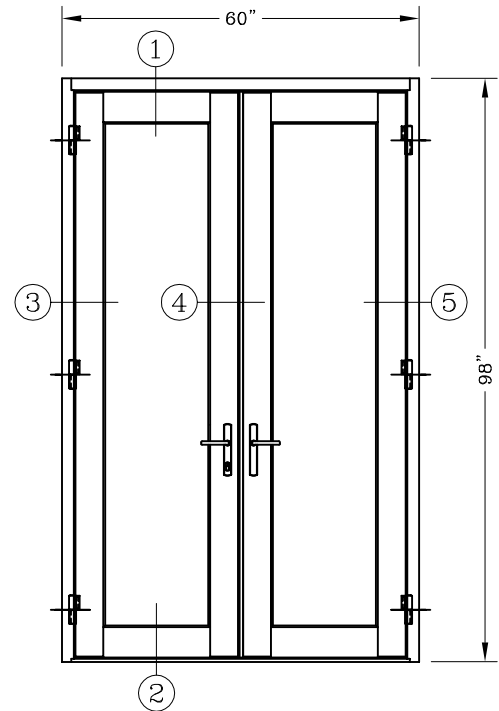


①

Glazing To Be:
15/16" IG Consisting Of;
3/16" Thick Tempered
And
3/8" Lami Consisting Of:
5/32" Thick Annealed Exterior,
.060 PVB Interlayer
5/32" Thick Annealed Interior



②

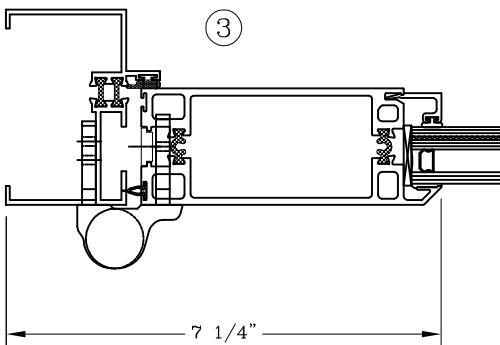


ELEVATION

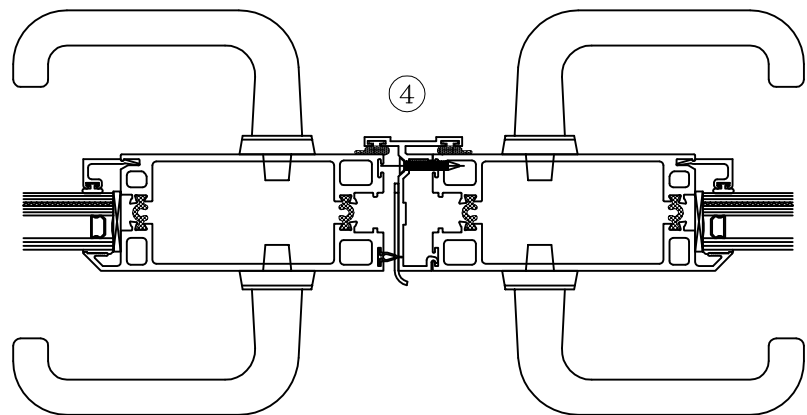
Pair 60" x 98" Tested

INSTALLATION TYPES

1. Through Frame Anchors Jamb And Sill.
Trim & Clip On Head.
(Reference Test Report #g1907.01-109-44)



7 1/4"



④

Door Dimension

Note: Dashed Lines Represent Inswing Vented Units; Solid Lines Represent
Outswing Vented Units; Lines Converge At Hinge Side Of Vent