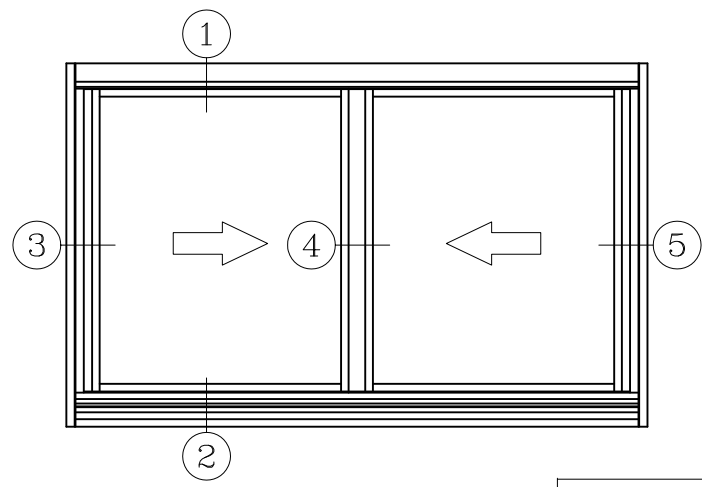


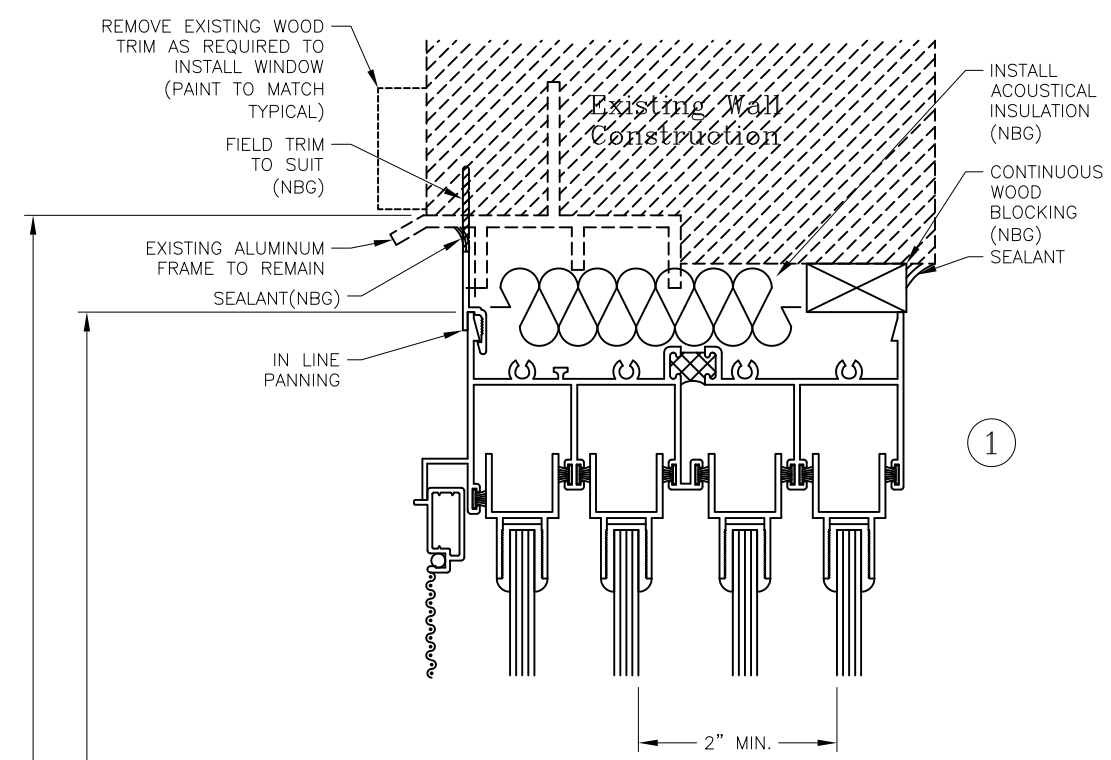
**Graham Series 0400  
Aluminum Acoustical 4-Track  
Horizontal Sliding Window  
Slider - 4" Frame Depth**

With In Line Panning System For New Construction Or Window Replacement In Wood Opening



**ELEVATION**  
NOT TO SCALE

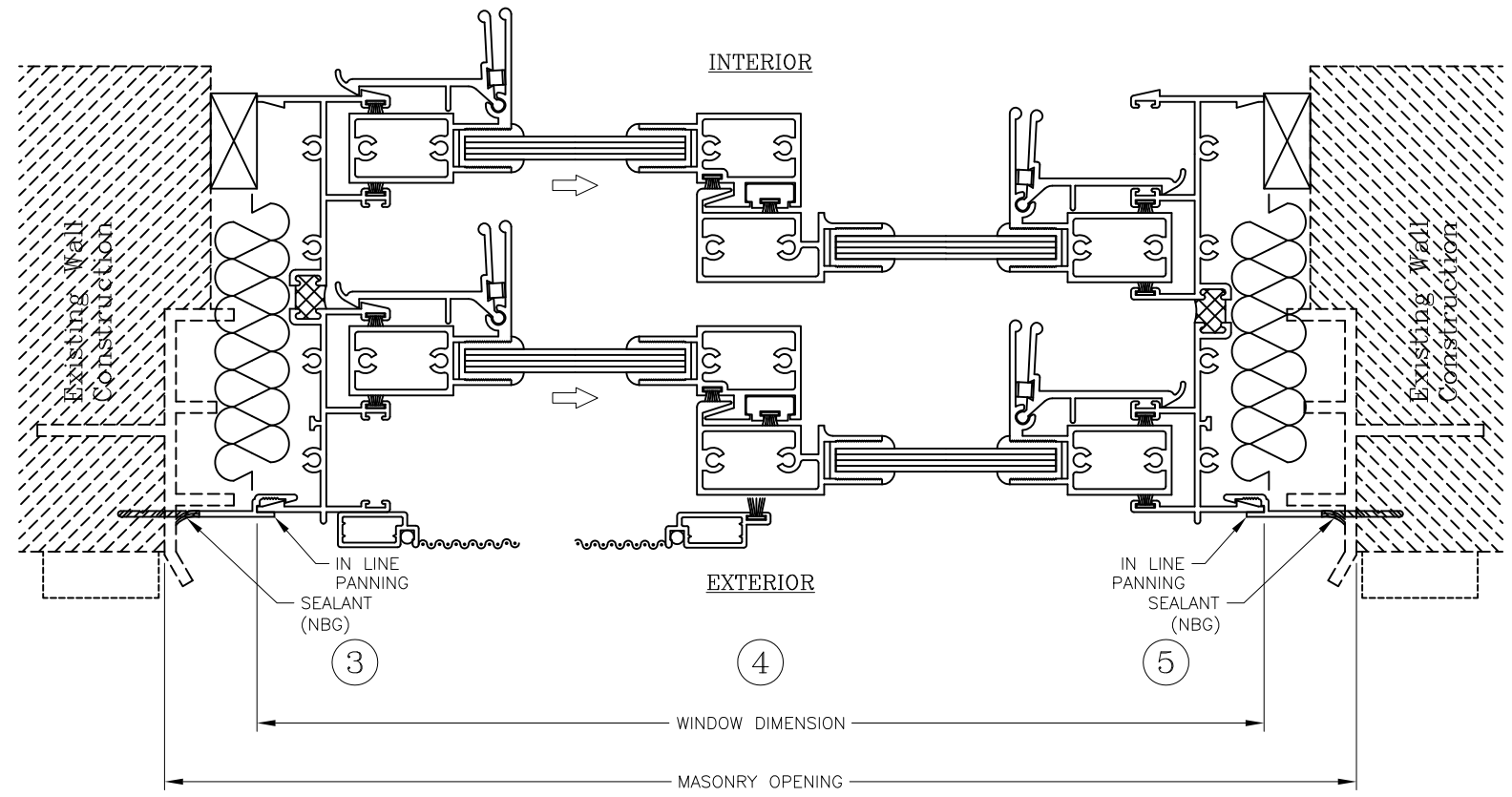
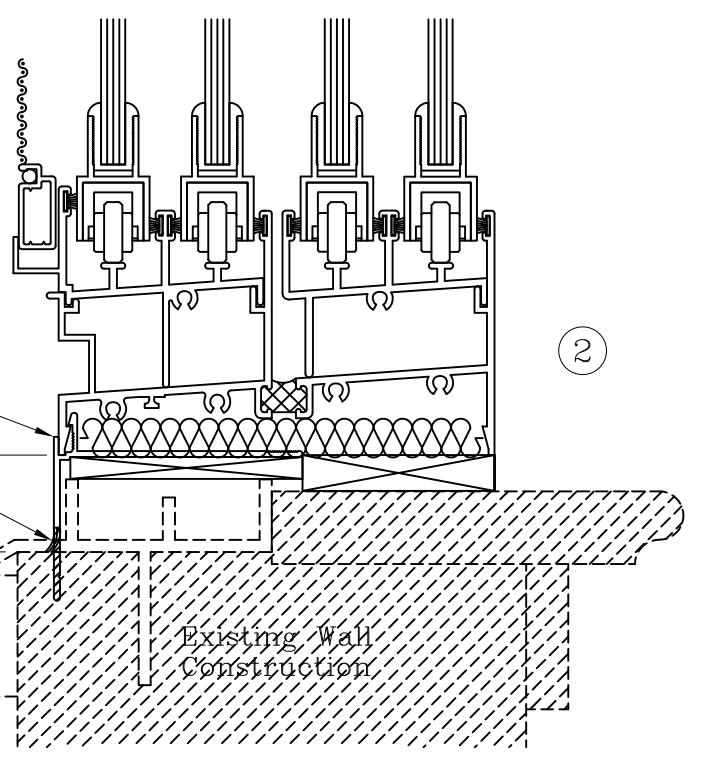
NOTE:  
DETAILS SHOWN ARE GENERAL  
INSTALLATION EXAMPLES.  
SPECIFIC CONDITION INSTALLATION  
MAY VARY.



EXTERIOR

INTERIOR

MASONRY OPENING  
WINDOW DIMENSION



DRAWING NO. <b>IE.01</b>		SCALE: <b>1:1</b> (Unless Noted)	
BY	DATE	REVISIONS	
DRAWN BY:	STP		
DATE:	12/15/11		
CHECKED BY:	JLH		
DATE:			
PROJECT: Inline Panning Into Existing Aluminum Slider			
NAME: 4-Track Horizontal Slider Acoustic			
SERIES: ACU0400			
<b>GRAHAM</b> <b>ARCHITECTURAL PRODUCTS</b> <small>1551 Mount Rose Avenue, York, PA 17403-2909  Toll-Free: (800) 755-6274  Phone: (717) 849-8100 Fax: (800) 366-5097  Web Site: www.grahamwindows.com  E-mail: info@grahamwindows.com</small>			
DRAWING TITLE <b>Installation Examples 0400 In Line Panning</b>			
DRAWING NO. <b>IE.01</b>			