

BY	DATE	REVISIONS

DRAWN BY:	STP	DATE:	CHECKED BY:	DATE:
		12/15/11	JLH	

PROJECT: Wraparound Panning / Trim Into Wood

NAME: Flat Single Hung Side Load

SERIES: 2000

GRAHAM
ARCHITECTURAL PRODUCTS

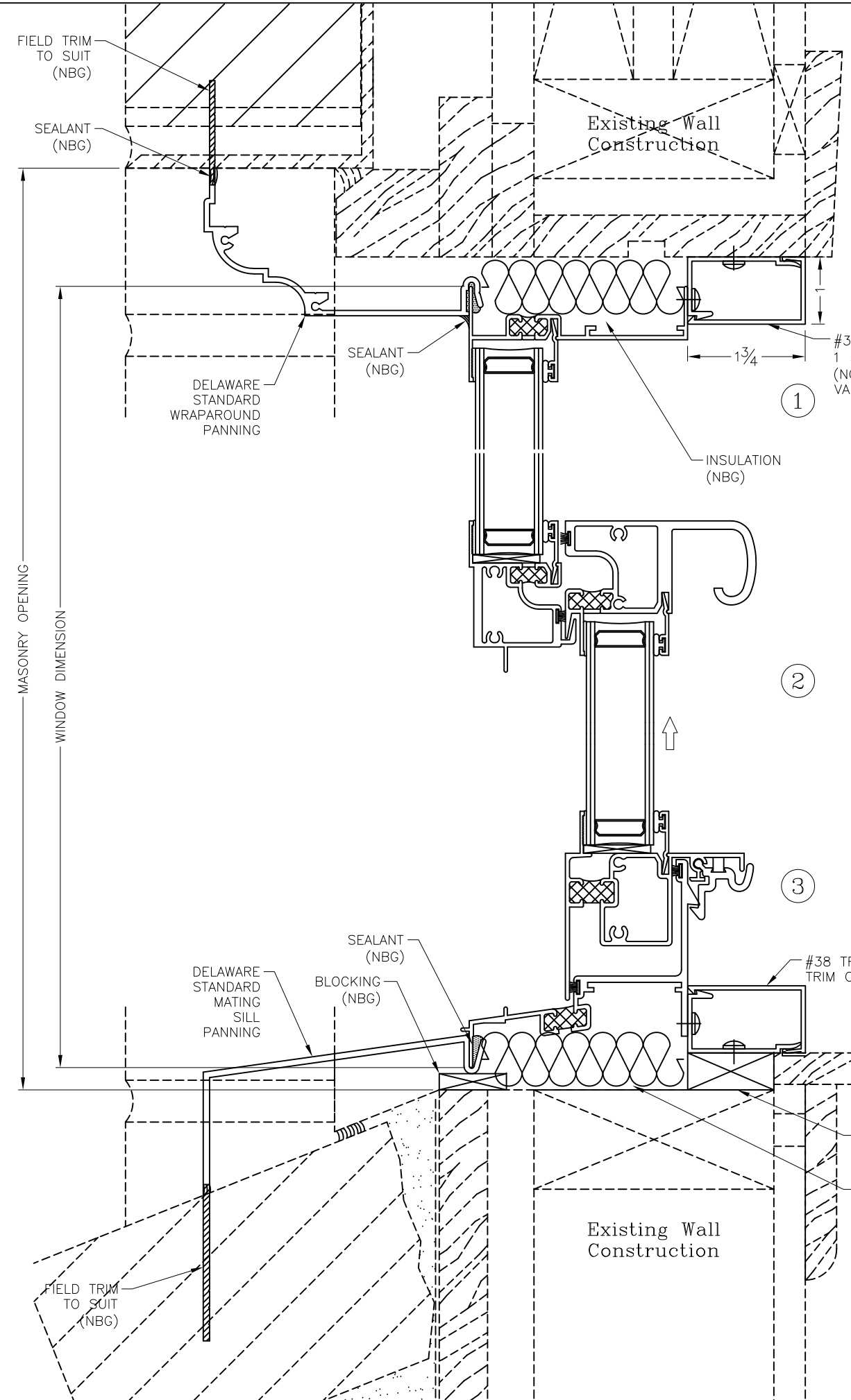
1551 Mount Rose Avenue, York, PA 17403-2909
Toll-Free: (800) 755-6274
Phone: (717) 849-8100 Fax: (800) 366-5097
Web Site: www.grahamwindows.com
E-mail: info@grahamwindows.com

DRAWING TITLE
Installation
Examples
2000
Wraparound Panning

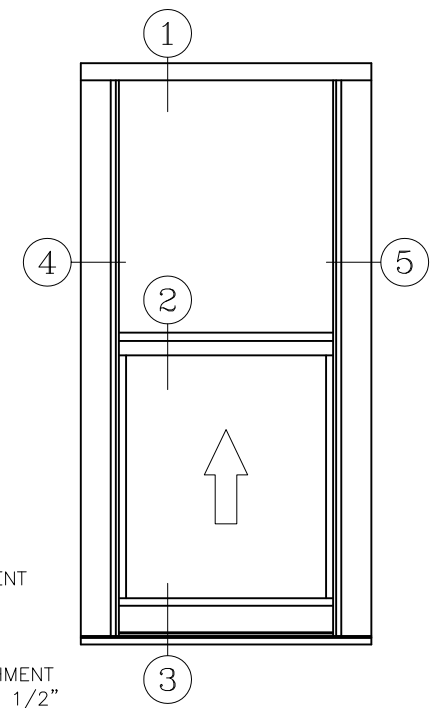
Graham Series 2000
Aluminum Single Hung Window

Single Hung Side Load
3 1/4" Frame Depth

With Wraparound Contoured Panning,
Trim System For New Construction Or
Window Replacement In Wood Opening



#38 TRIM AND TRIM CLIP
1 3/4" x 1" x 3" LONG
(NOTE: SIZE & SHAPE CAN VARY)



ELEVATION
NOT TO SCALE

NOTE:
DETAILS SHOWN ARE GENERAL
INSTALLATION EXAMPLES.
SPECIFIC CONDITION INSTALLATION
MAY VARY.

