

Attached Panning Contoured



Series: Accessories Manufacturing Code: PN07

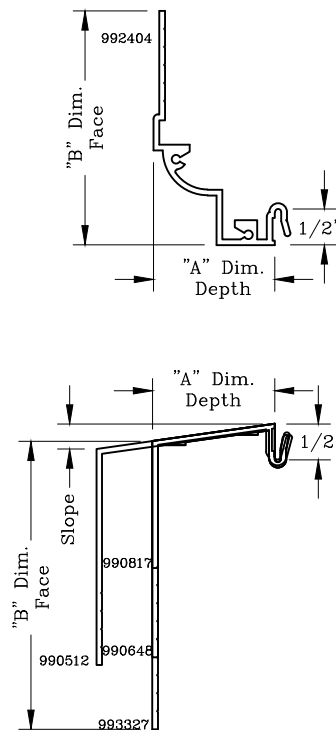
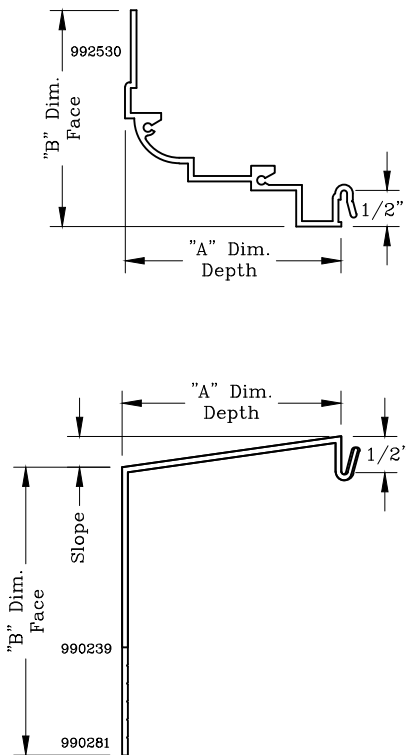
Drawing 3/8 Scale – For Custom Size Drawing Contact Graham

Note: Sealant Not Shown On Details. Refer To General Installation Instructions.

Note: Pre-Set Panning Requires The Use Of Equal Leg Sill On Window

Fifth Avenue Attached Panning Head And Jamb			
Description	"A" Dim. x "B" Dim.	Extrusion Die #99	"Slope Height"
Fifth Avenue	3.000 x 3.000	2530	None

Cotton Mill Attached Panning Head And Jamb			
Description	"A" Dim. x "B" Dim.	Extrusion Die #99	"Slope Height"
Cotton Mill	1.687 x 3.250	2404	None



Fifth Avenue Attached Panning Mating Sill			
Description	"A" Dim. x "B" Dim.	Extrusion Die #99	"Slope Height"
Del-3 S	3.000 x 2.500	0239	.428
Del-4 S	3.000 x 4.000	0281	.428

Cotton Mill Attached Panning Mating Sill			
Description	"A" Dim. x "B" Dim.	Extrusion Die #99	"Slope Height"
#10-1.7 S	1.698 x 1.761	0817	.239
#10-3 S	1.698 x 3.000	0648	.239
#10-4 S	1.698 x 4.000	3327	.239
#8-3	2.475 x 3.000	0512	.348

Graham Architectural Products reserves the right to change, add, cancel, remove or otherwise modify the details illustrated without prior notice.

1551 Mt. Rose Avenue, York, Pennsylvania 17403-2909 800/755-6274 Fax: 800/366-5097

Web Site: www.grahamwindows.com

0522 – PN.07