

Attached Panning Contoured



Series: Accessories Manufacturing Code: PN12

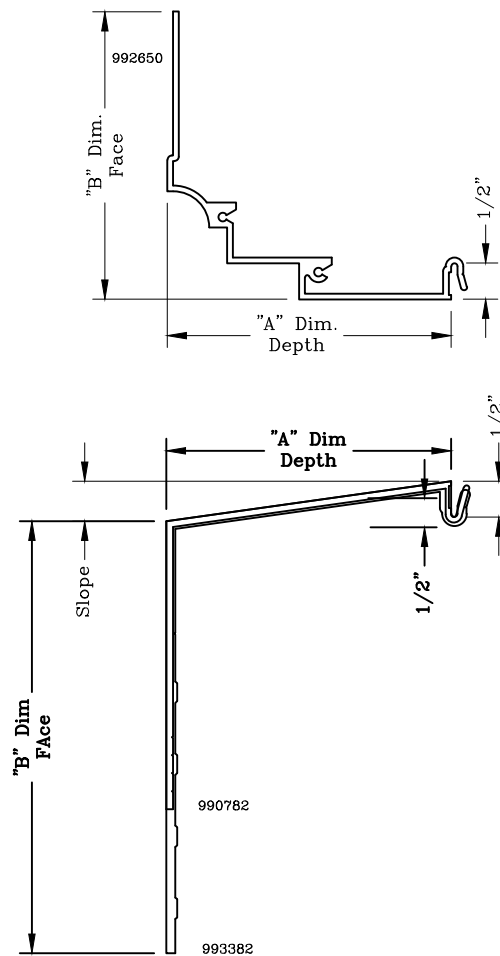
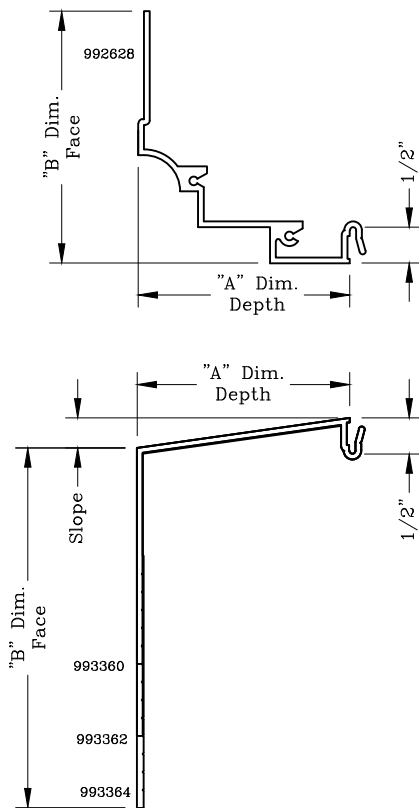
Drawing 3/8 Scale – For Custom Size Drawing Contact Graham

Note: Sealant Not Shown On Details. Refer To General Installation Instructions.

Note: Pre-Set Panning Requires The Use Of Equal Leg Sill On Window

Roosevelt Attached Panning Head And Jamb			
Description	"A" Dim. x "B" Dim.	Extrusion Die #99	Slope =
Roosevelt	2.938 x 3.500	2628	None

Delano Attached Panning Head And Jamb			
Description	"A" Dim. x "B" Dim.	Extrusion Die #99	Slope =
Delano	3.938 x 4.000	2650	None



Roosevelt Attached Panning Mating Sill			
Description	"A" Dim. x "B" Dim.	Extrusion Die #99	Slope =
Del-3 S	2.952 x 3.000	3360	.415
Del-4 S	2.952 x 4.000	3362	.415
Del-5 S	2.952 x 5.000	3364	.415

Delano Attached Panning Mating Sill			
Description	"A" Dim. x "B" Dim.	Extrusion Die #99	Slope =
3-4	3.956 x 4.000	0782	.556
3-6	3.956 x 6.000	3382	.556

Graham Architectural Products reserves the right to change, add, cancel, remove or otherwise modify the details illustrated without prior notice.

1551 Mt. Rose Avenue, York, Pennsylvania 17403-2909 800/755-6274 Fax: 800/366-5097

Web Site: www.grahamwindows.com

0522 – PN.12